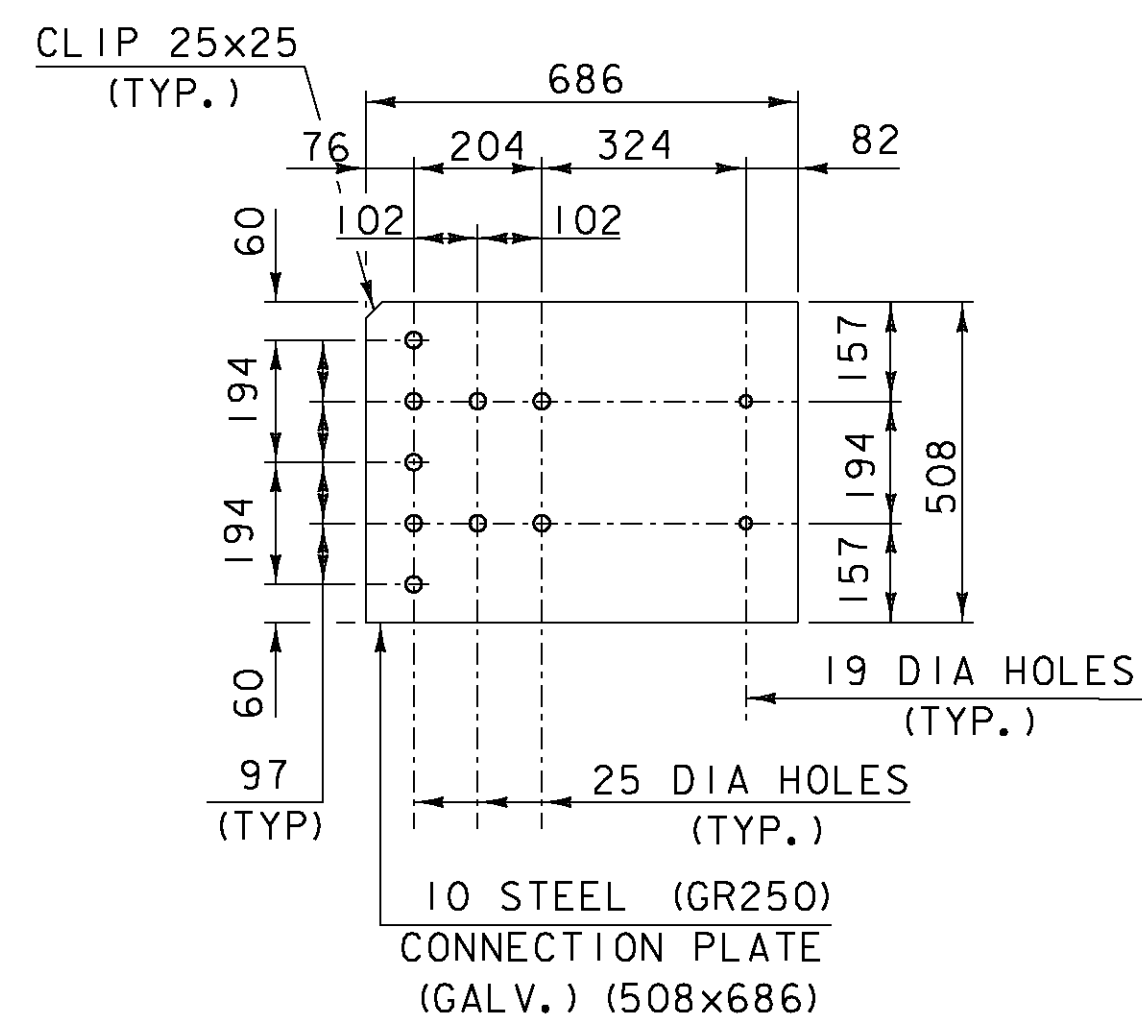
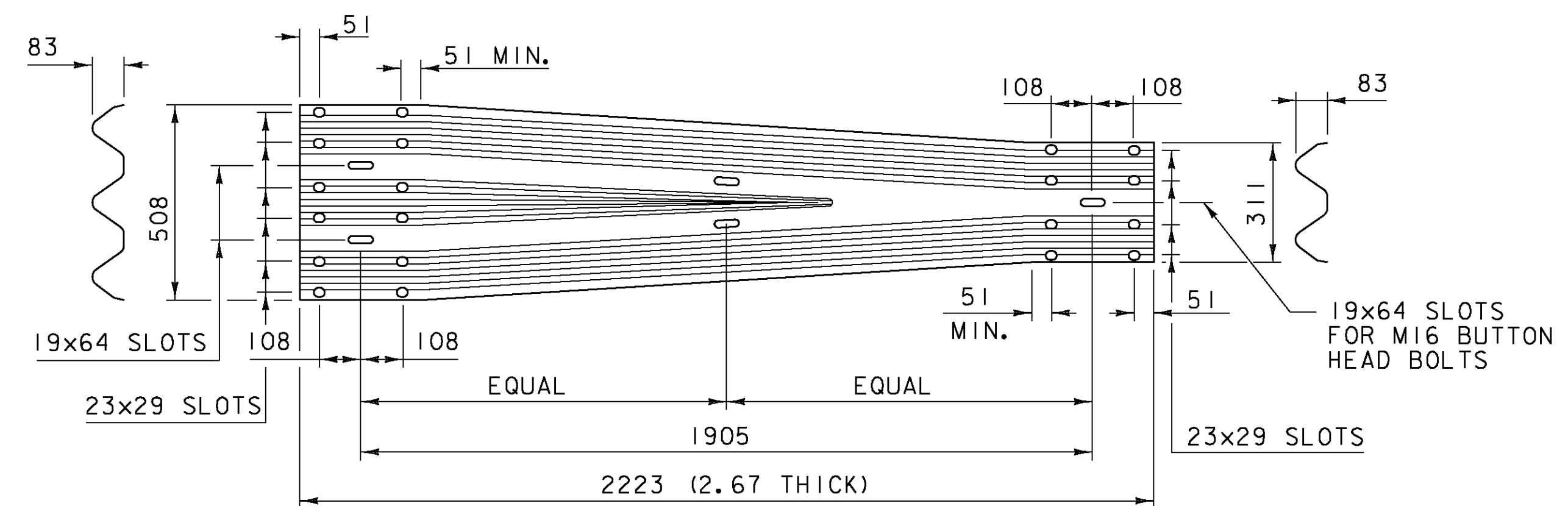


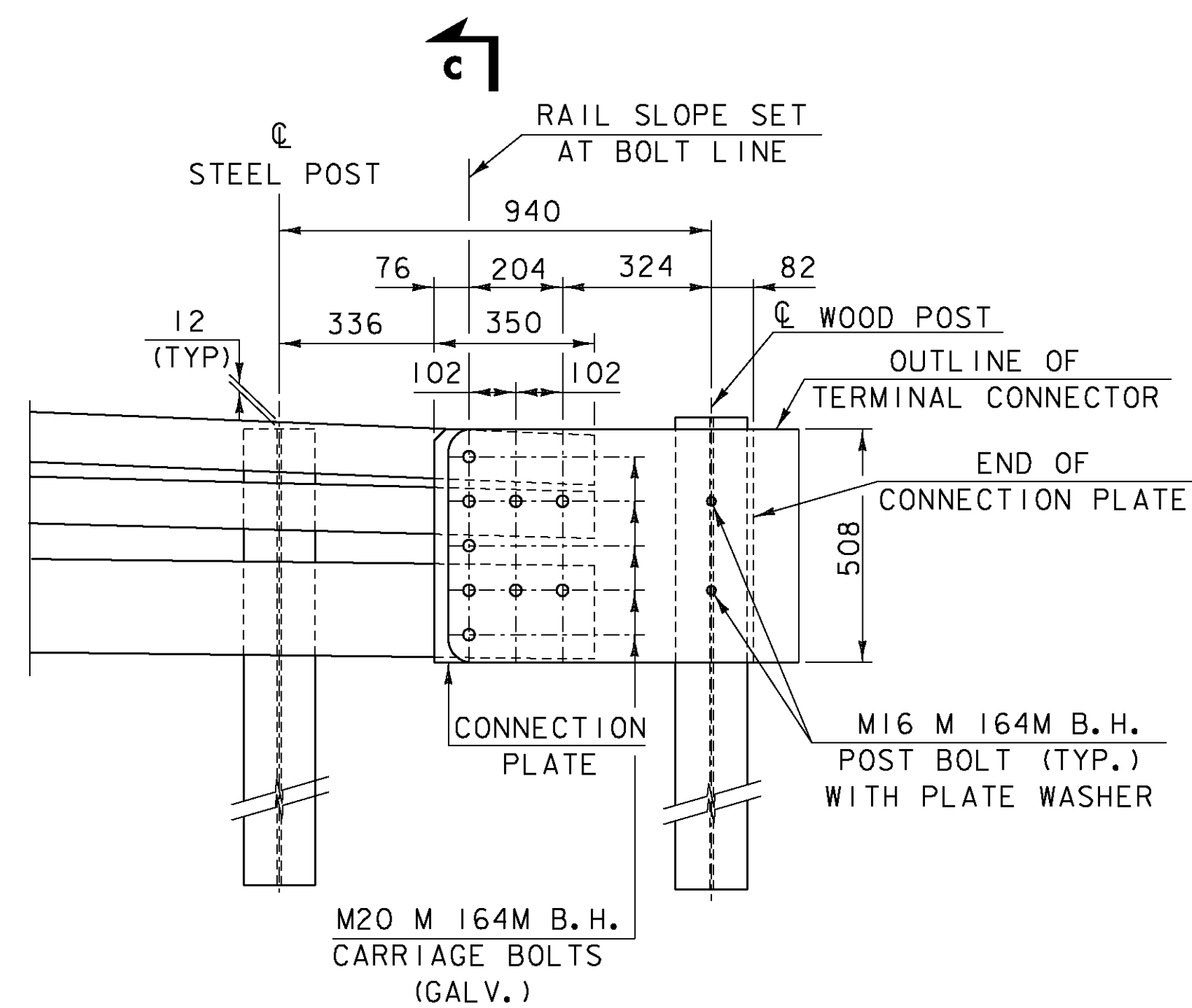
SECTION A-A (POST RAIL ASSEMBLY)



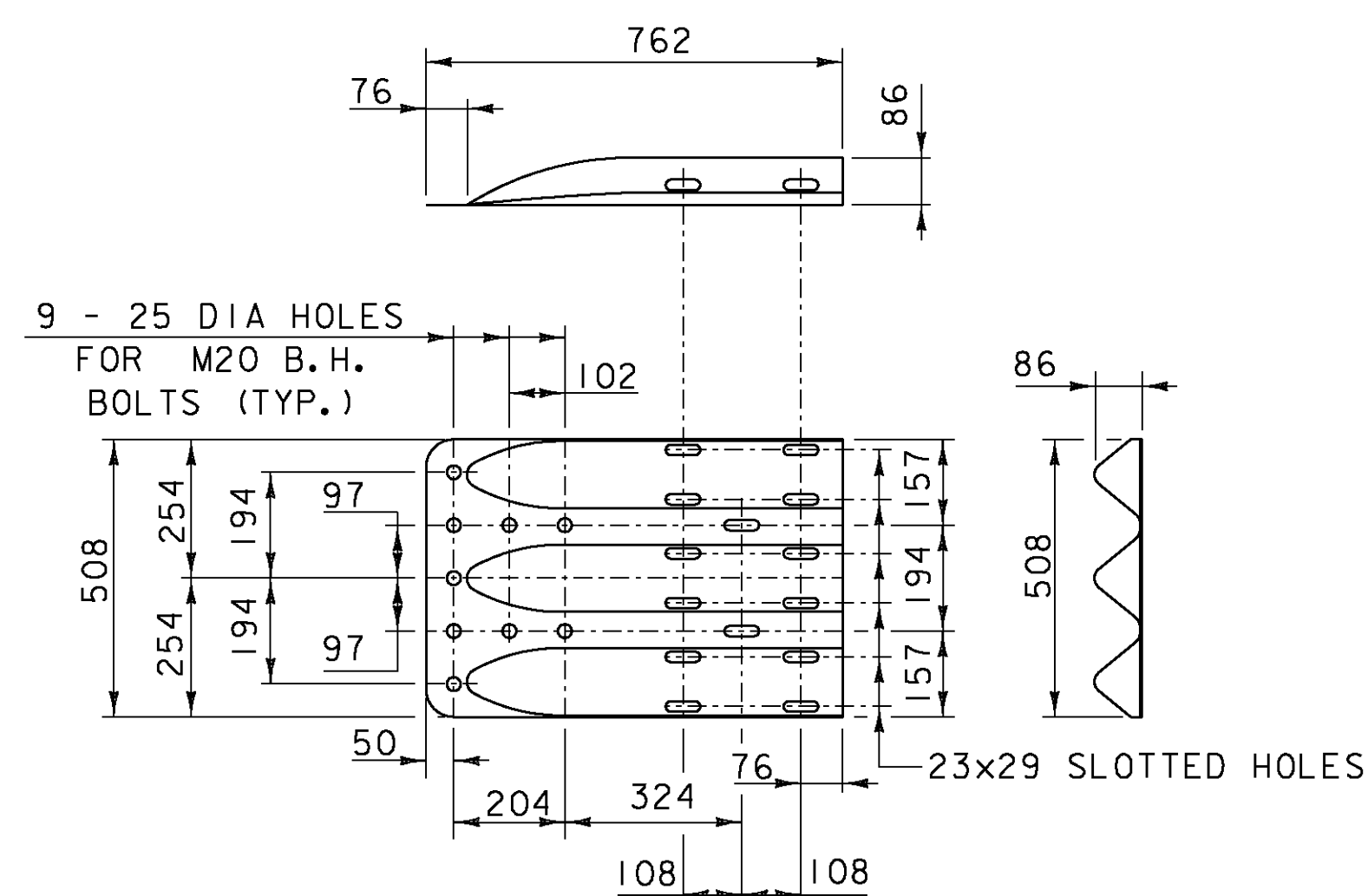
CONNECTION PLATE



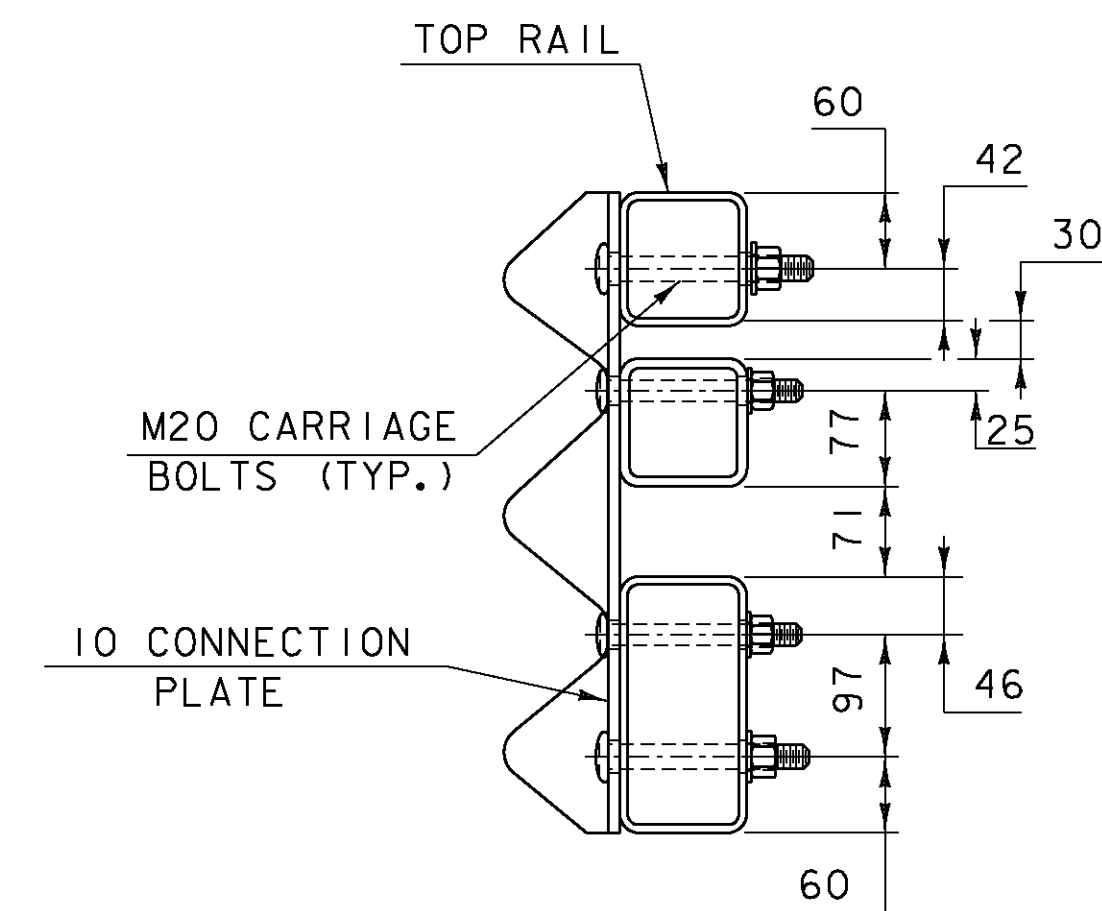
THREE-BEAM TO STD SB TRANSITION SECTION



DETAIL B



THREE-BEAM TERMINAL CONNECTOR



SECTION C-C (CONNECTION PLATE)

STATE OF VERMONT  
AGENCY OF TRANSPORTATION

Town Of	BENNINGTON	Bridge No.	B11
Highway No.	TH 5	Log Sta.	
		Surv. Sta.	
EAST ROAD OVER VT ROUTE 279			
<b>DETAILS - NETC 4 RAIL</b>			
Designed By	VTrans	Drawn By	VTrans
Checked By	S. BURBANK	Bridge Design Supervisor	G. BOGUE
Date	03/06	Date	03/07
PROJECT	BENNINGTON	PROJECT NO.	AC NH 019-1(53)
Dgn:	...Design\ER\ER-BRDets.dgn	Plot Date:	5/25/2011
Bridge Sheet No.	BR646	Sheet	293 of 577