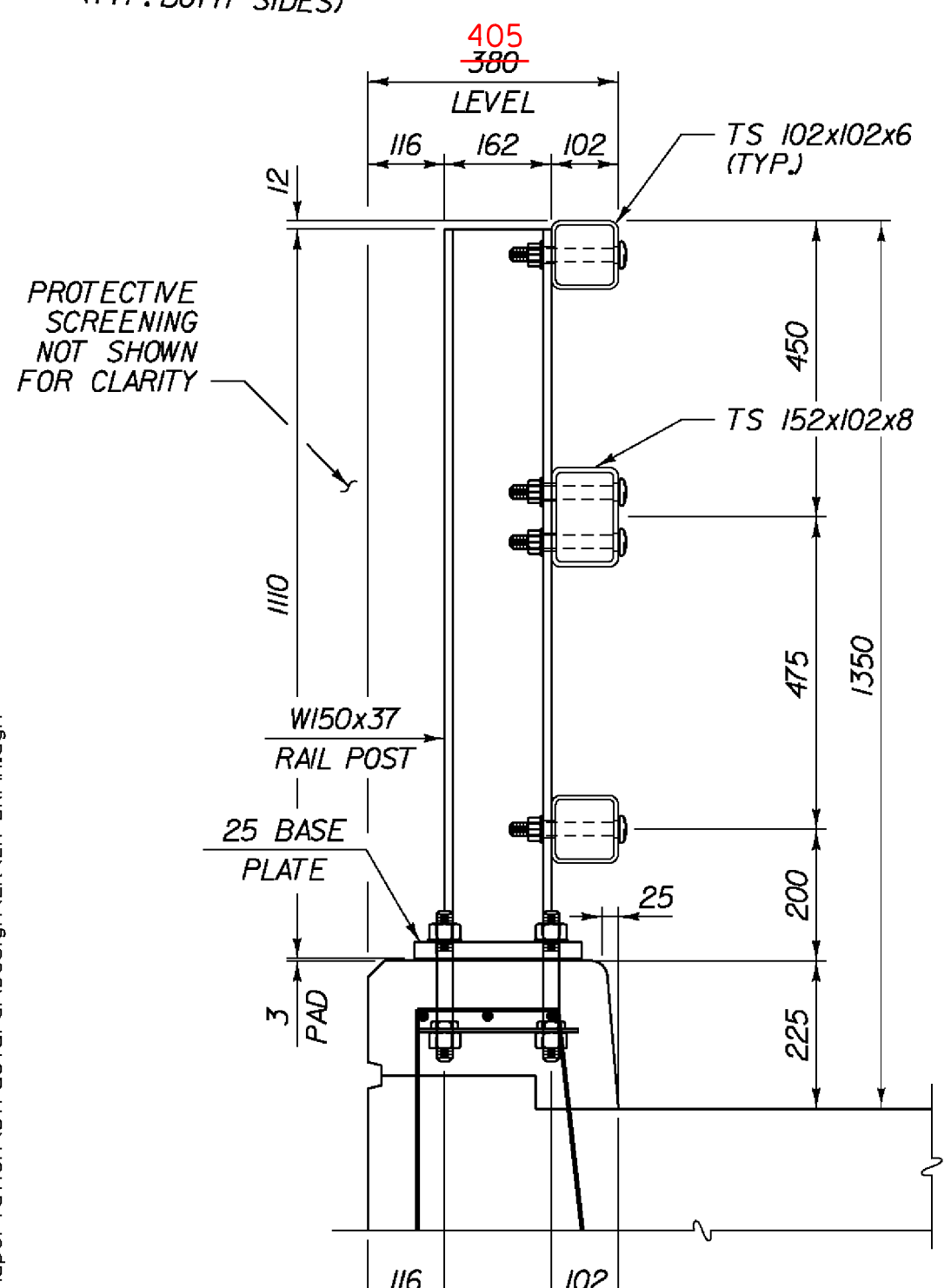


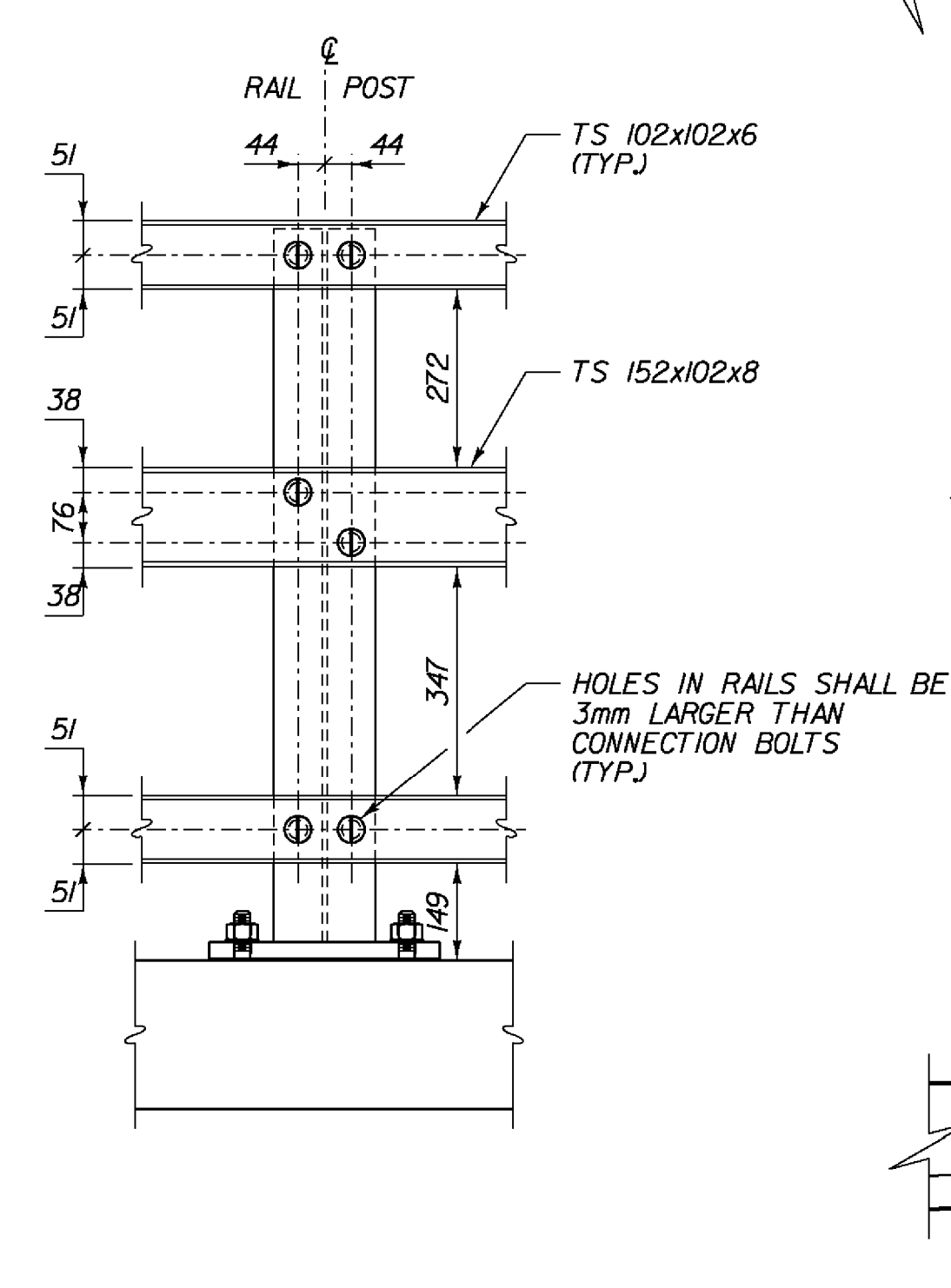
\* - RADIAL DIMENSIONS



**TYPICAL SECTION**

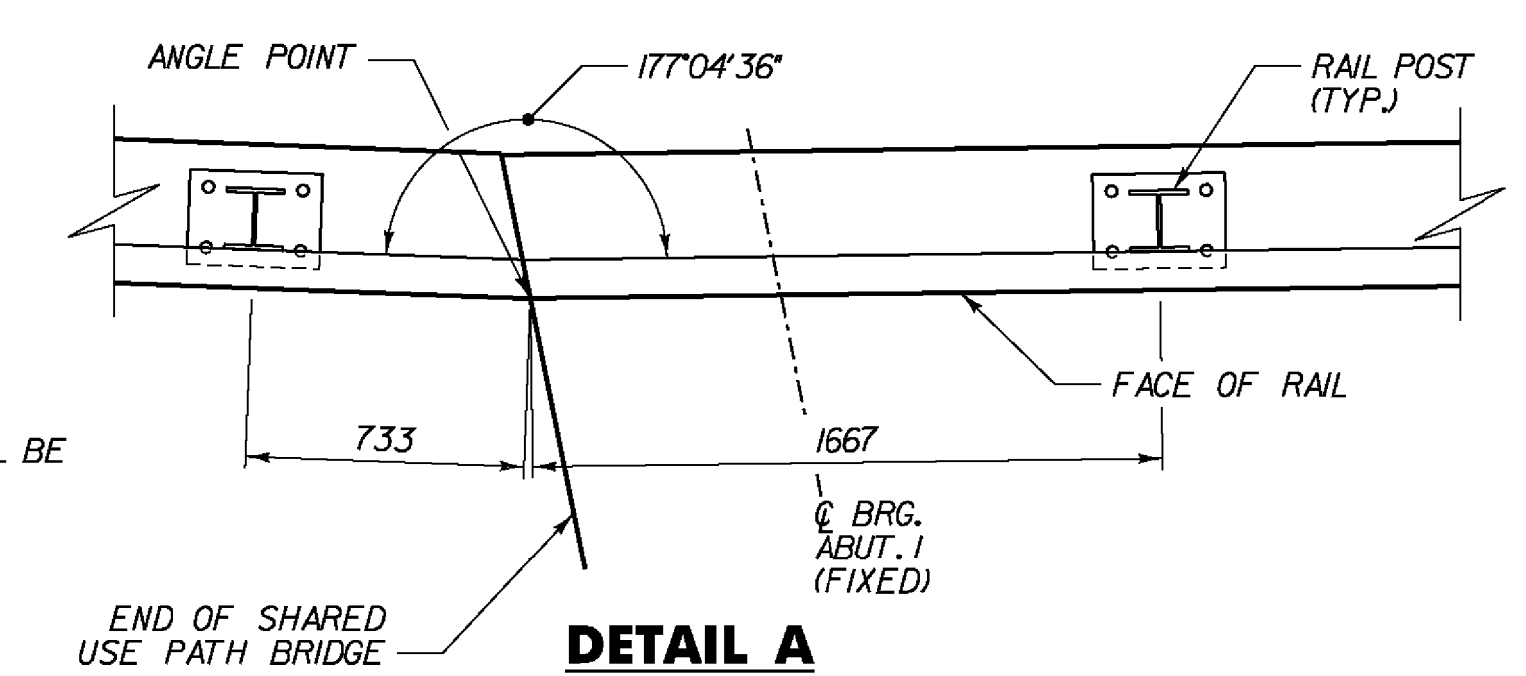
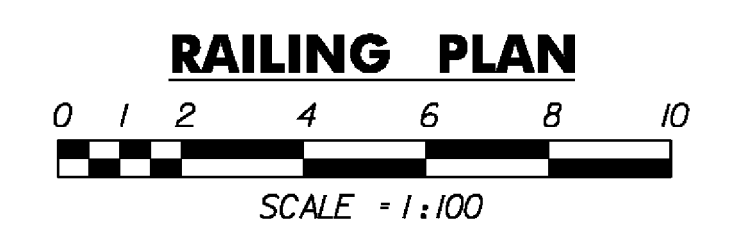
NOTE: SEE BRIDGE SHEET BR644 FOR ADDITIONAL INFORMATION

**BRIDGE RAIL SHARED USE PATH**  
SCALE 1/10

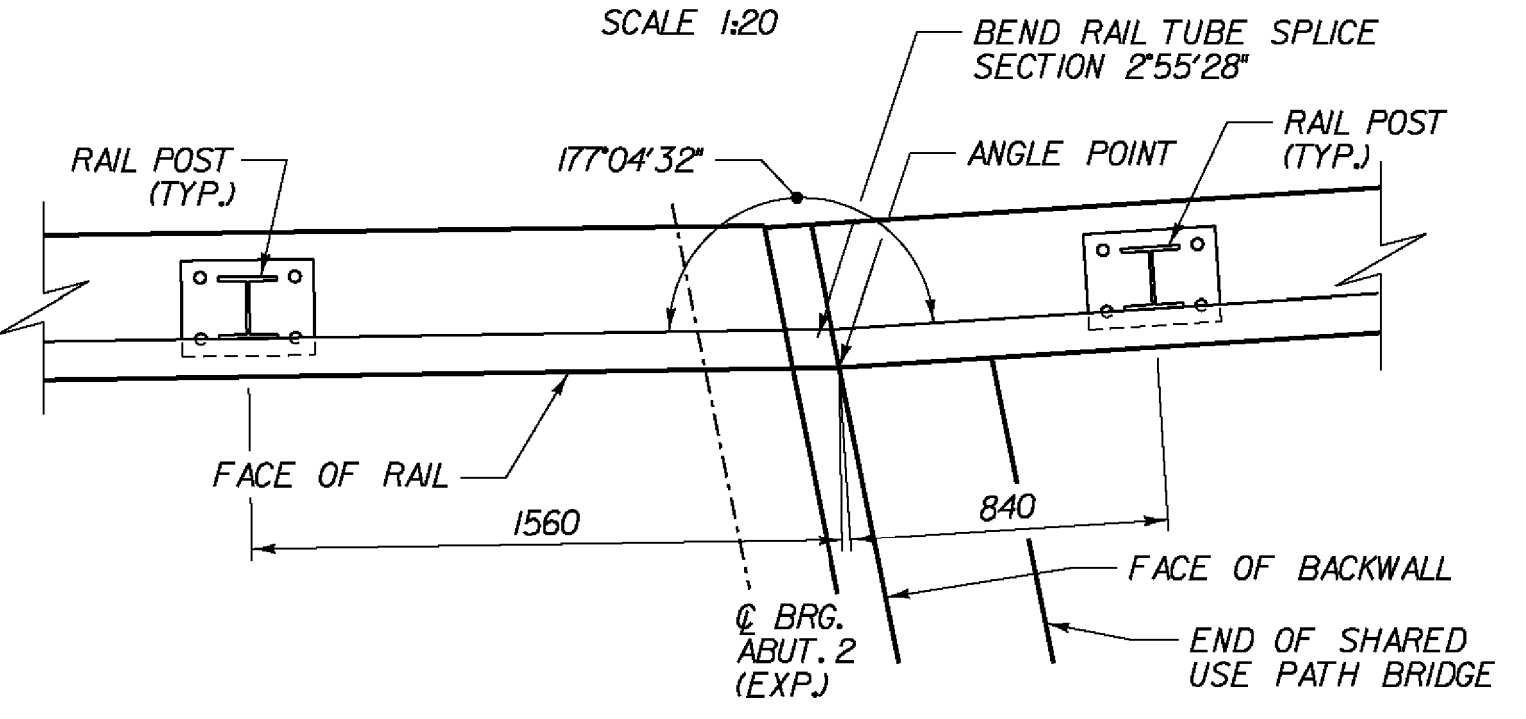


**TYPICAL ELEVATION**

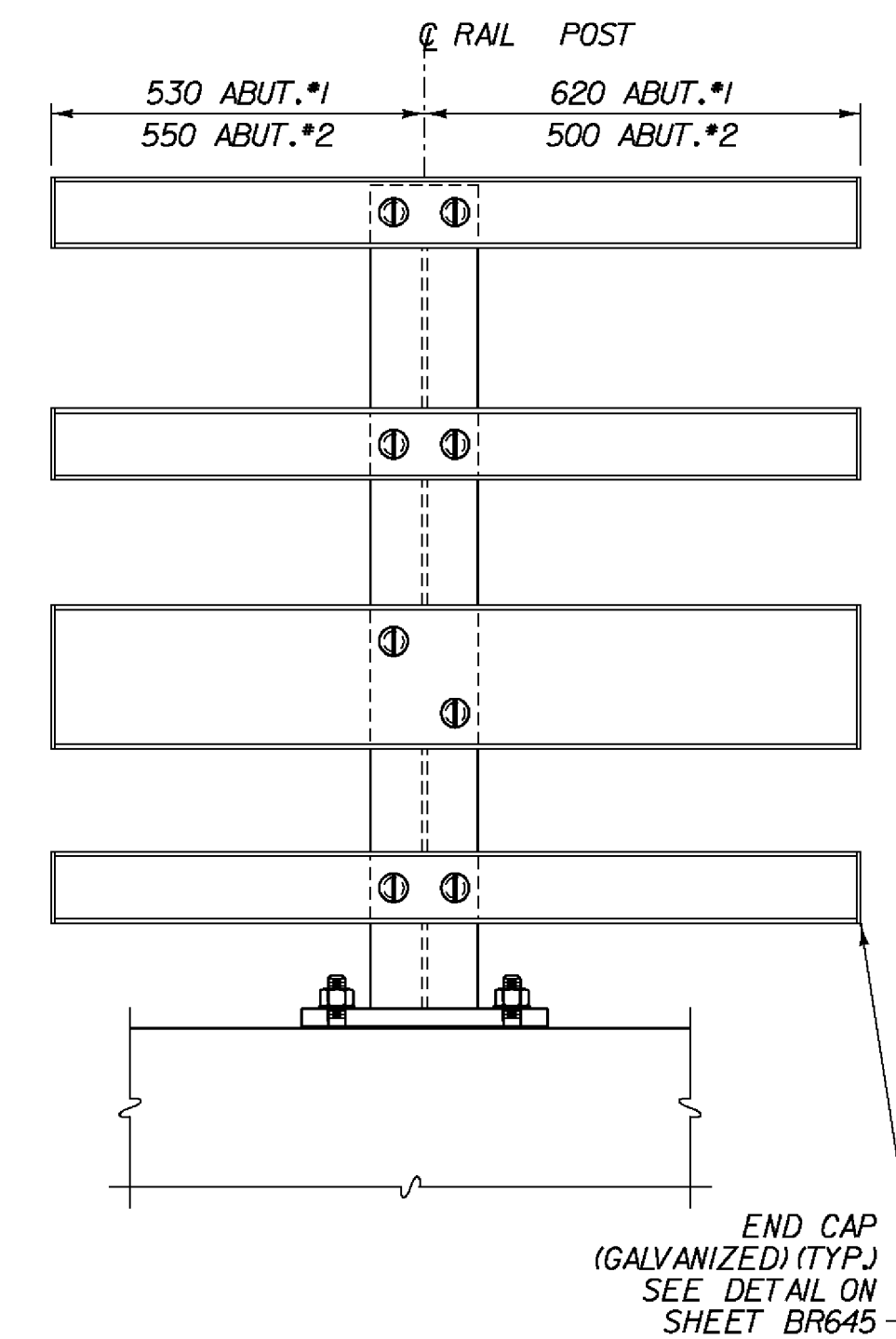
NOTE: ALL DIMENSIONS ARE ALONG FACE OF RAIL



**DETAIL A**  
SCALE 1:20



**DETAIL B**  
SCALE 1:20



**TYPICAL ELEVATION BRIDGE RAIL BETWEEN VEHICLE BRIDGE AND SHARED USE PATH BRIDGE**  
SCALE 1/10

EAST RD & S.U.P.

<b>STATE OF VERMONT AGENCY OF TRANSPORTATION</b>	
Town Of <b>BENNINGTON</b>	Bridge No. <b>Bill</b>
Highway No. <b>TH 5</b>	Log Sta. Surv. Sta.
<b>EAST ROAD OVER VT ROUTE 279</b>	
<b>RAILING PLAN</b>	
Designed By <b>S. BURBANK</b>	Drawn By <b>J. SOTER</b>
Checked By <b>S. BURBANK</b>	Bridge Design Supervisor <b>G. BOGUE</b>
Date <b>03/06</b>	Date <b>03/07</b>
PROJECT <b>BENNINGTON</b>	PROJECT NO. <b>AC NH 019-1(53)</b>
Dgn.: <b>...Design\VER\ER-BRPIn.dgn</b>	Plot Date: <b>5/25/2011</b>
Bridge Sheet No. <b>BR643</b>	Sheet <b>290</b> of <b>577</b>



V:\953\active\9530002\Transportation\Structural\Design\ER-BRPIn.dgn