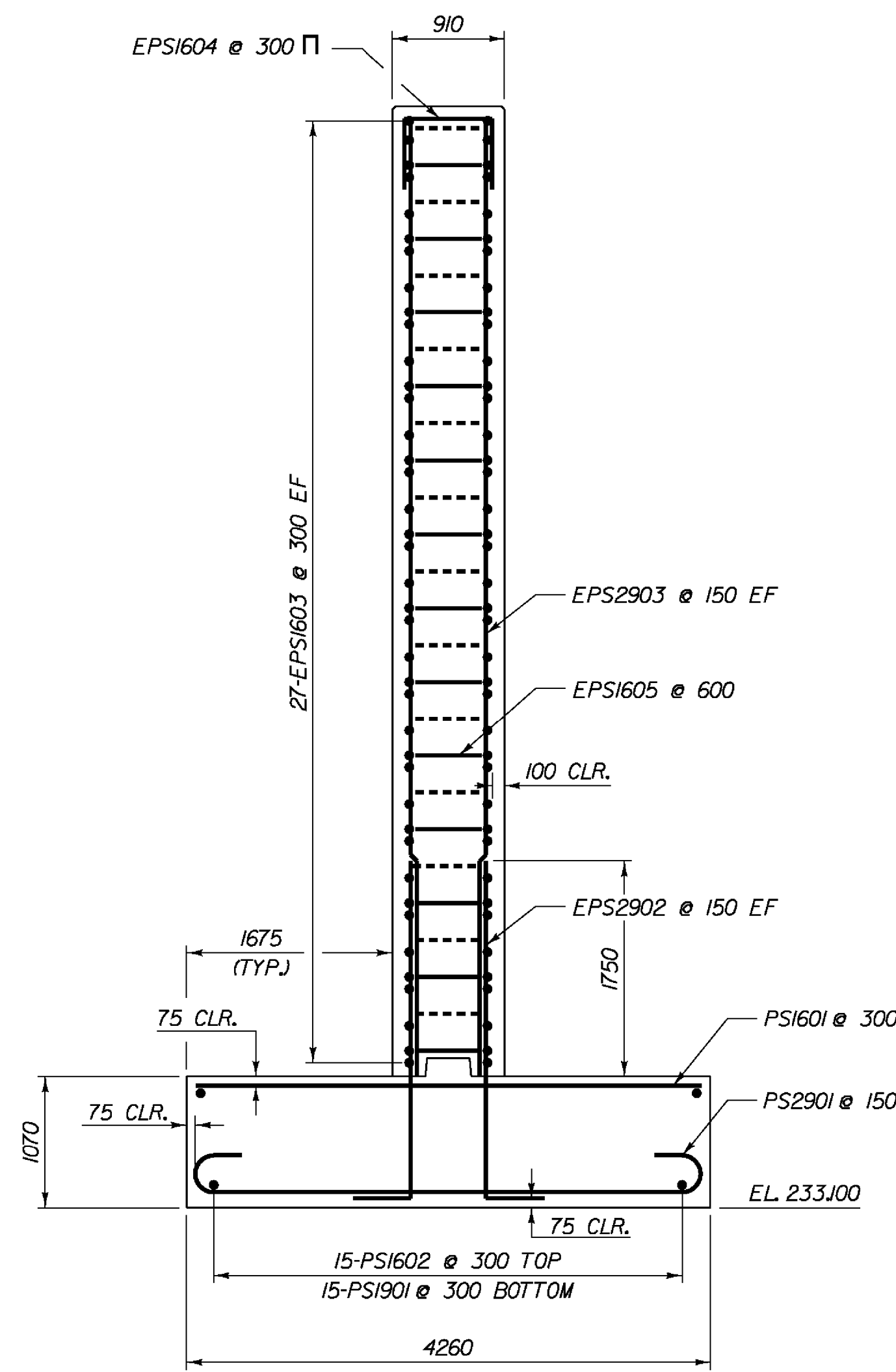
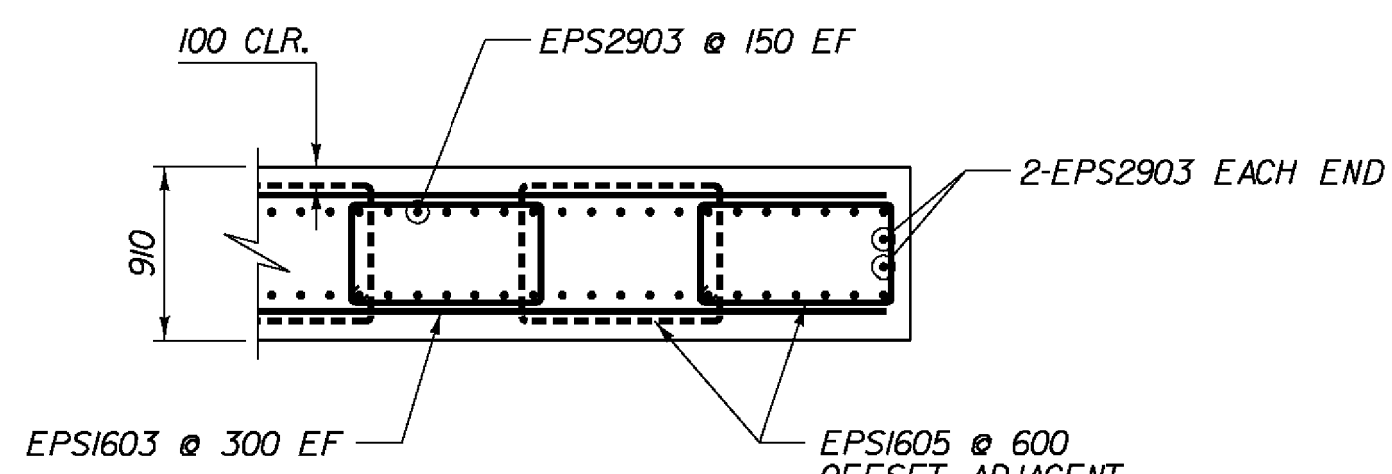


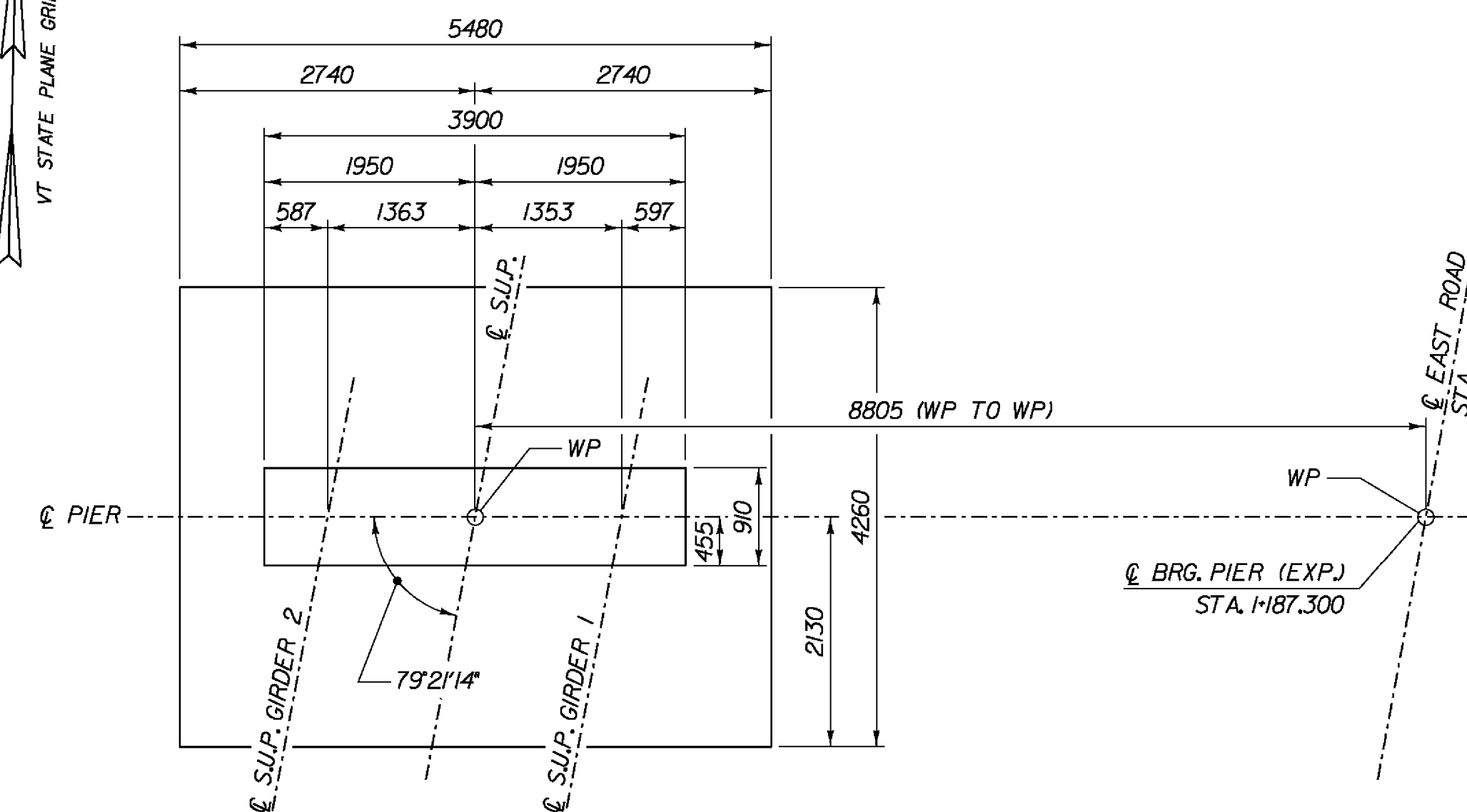
ELEVATION
SCALE 1:40



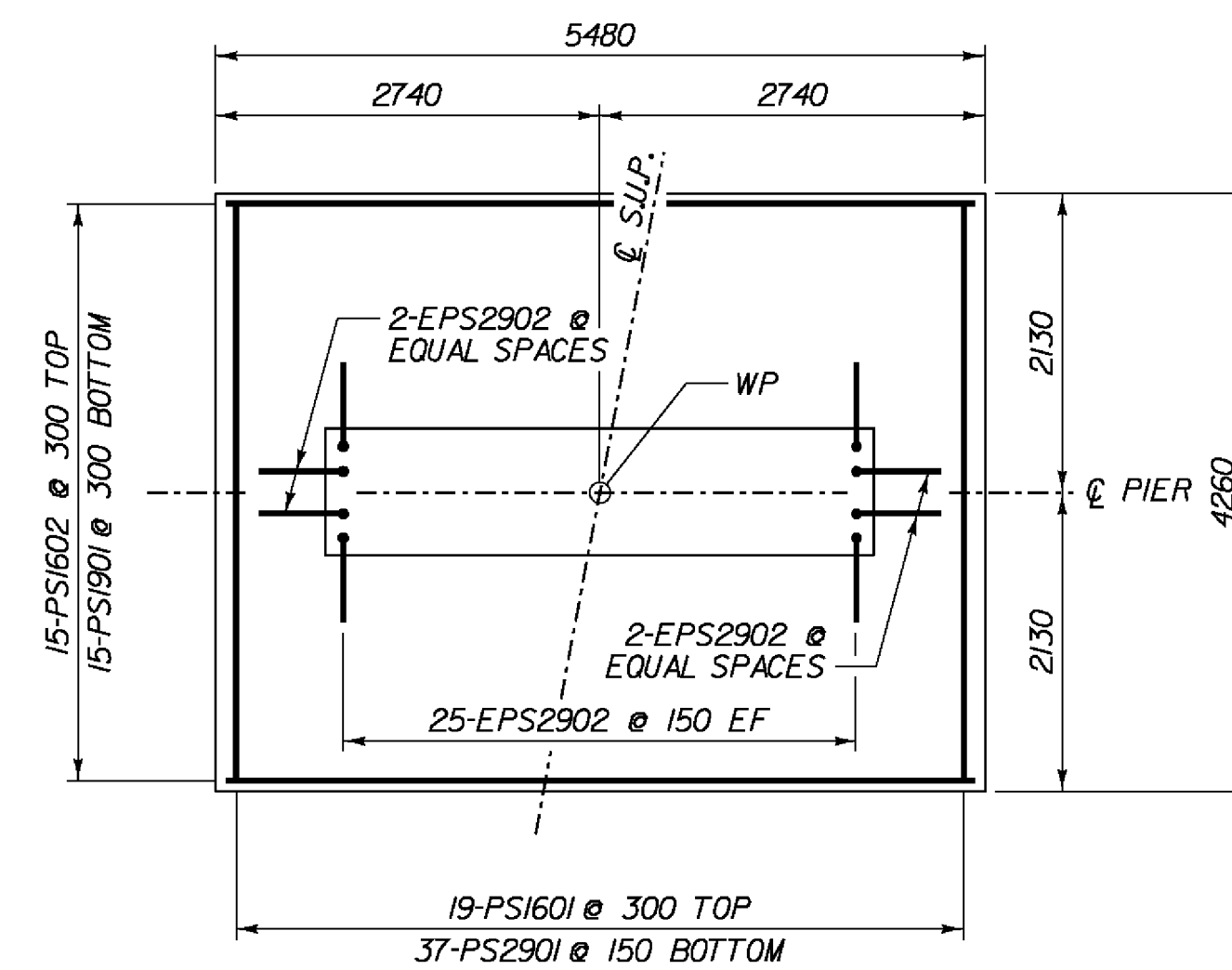
SECTION A-A
SCALE 1:40



SECTION B-B
SCALE 1:40



**SHARED USE PATH
PIER PLAN**
SCALE 1:50



**SHARED USE PATH
FOOTING REINFORCING PLAN**
SCALE 1:50

NOTE:
 NF - NEAR FACE
 FF - FAR FACE
 EF - EACH FACE
 ▲ - CUT TO FIT IN FIELD
 75 CLR. UNLESS OTHERWISE SPECIFIED ON THE PLANS.

**STATE OF VERMONT
AGENCY OF TRANSPORTATION**

Town Of	BENNINGTON	Bridge No.	Bill
Highway No.	TH 5	Log Sta.	
		Surv. Sta.	
SHARED USE PATH OVER VT ROUTE 279			
PIER DETAILS (S.U.P.)			
Designed By	M. CHENETTE	Drawn By	J. SOTER
Checked By	M. CHENETTE	Date	01/07
		Bridge Design Supervisor	G. BOGLIE
		Date	03/07
PROJECT	BENNINGTON AC NH 019-1(53)		
Dgn.:	...Design\ERP-Pier.dgn	Plot Date:	5/25/2011
Bridge Sheet No.	BR642	Sheet	289 of 577

