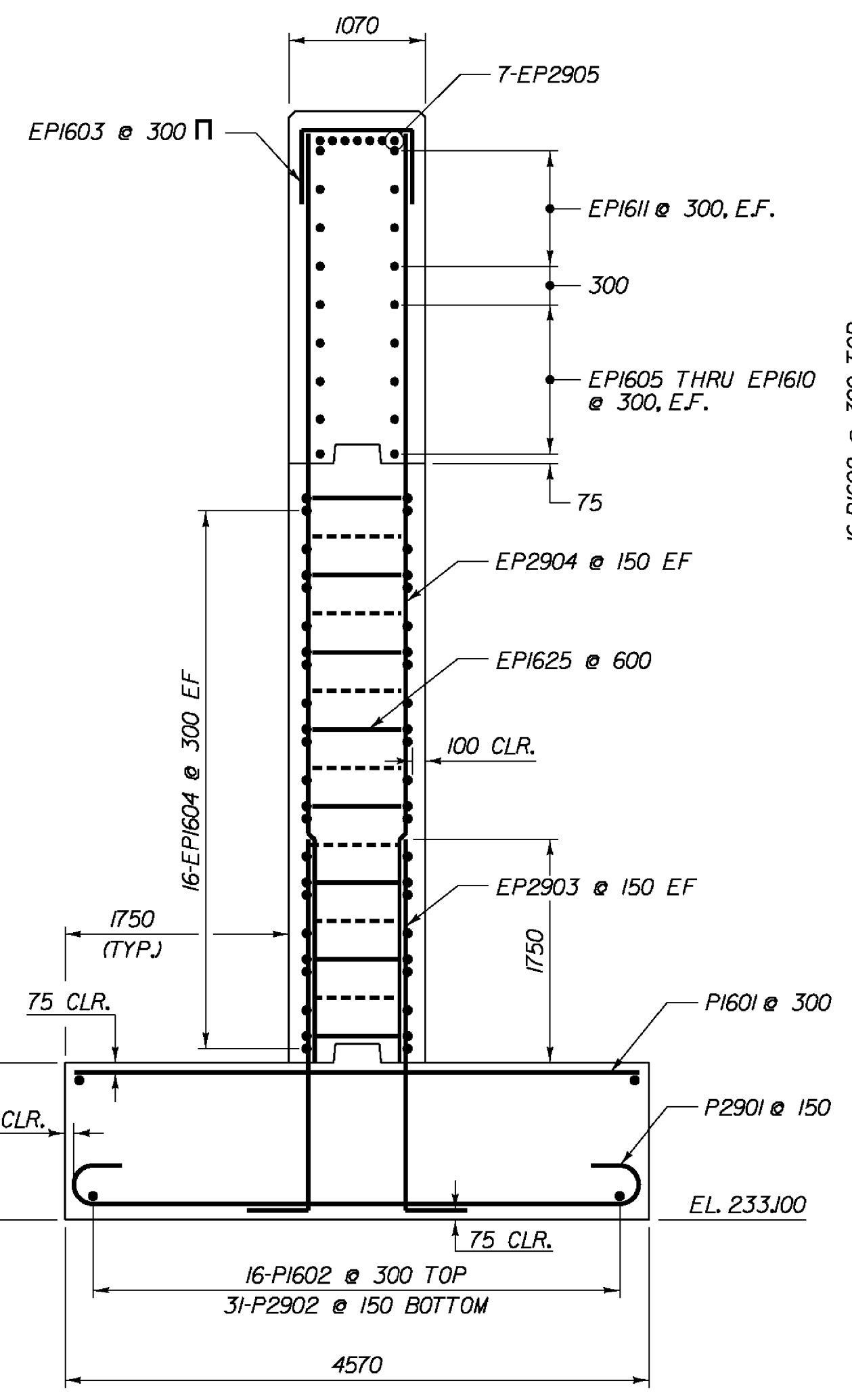
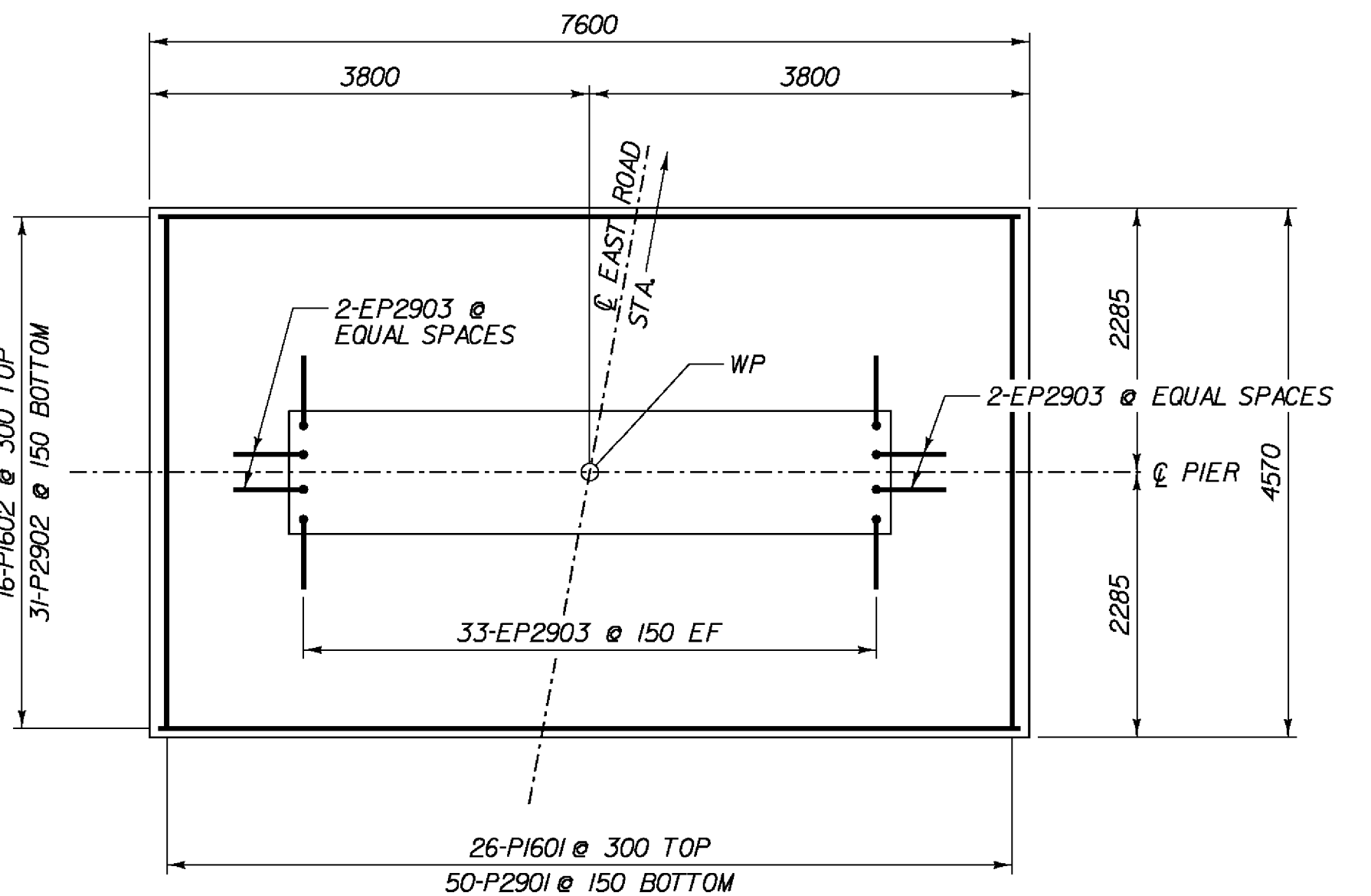


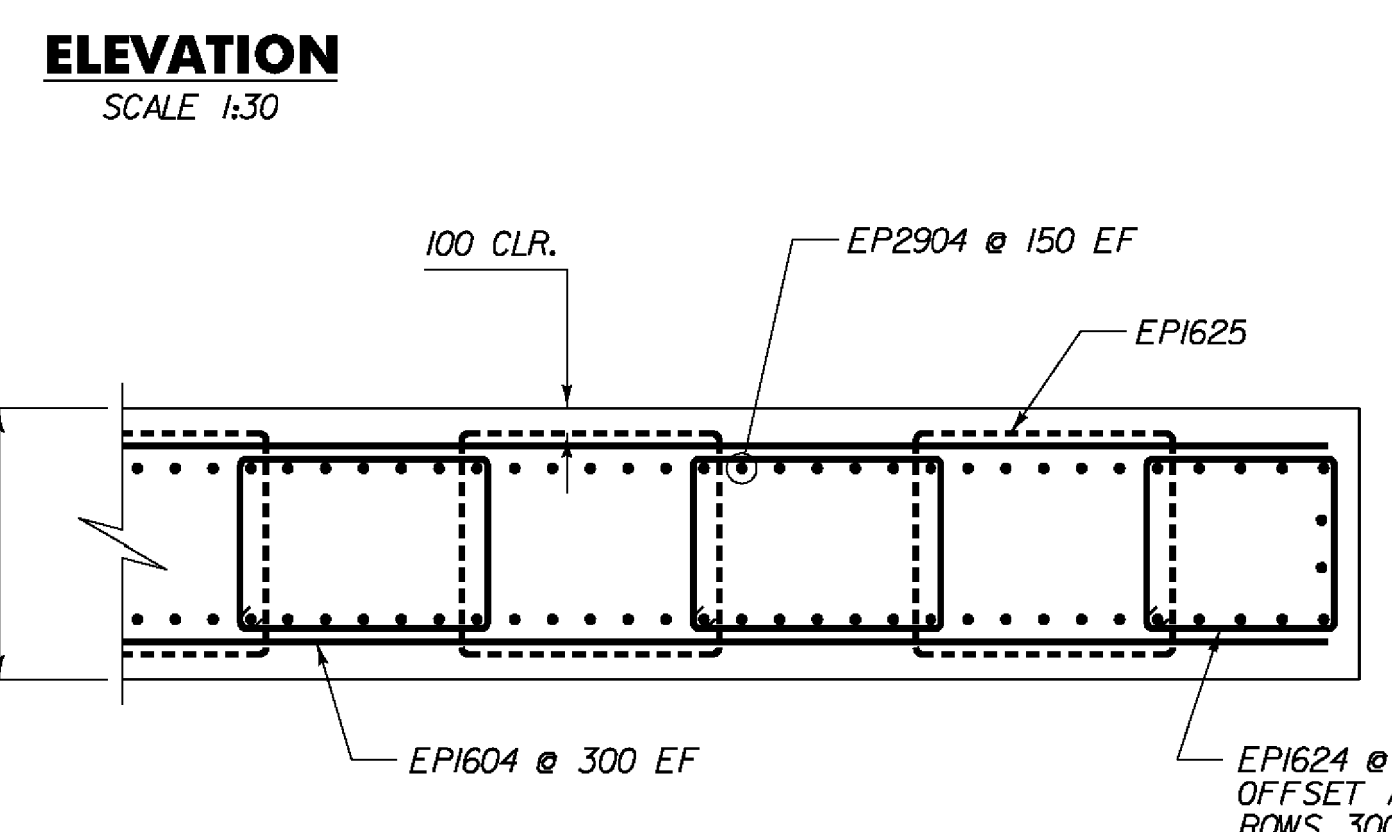
PIER PLAN
SCALE 1:50



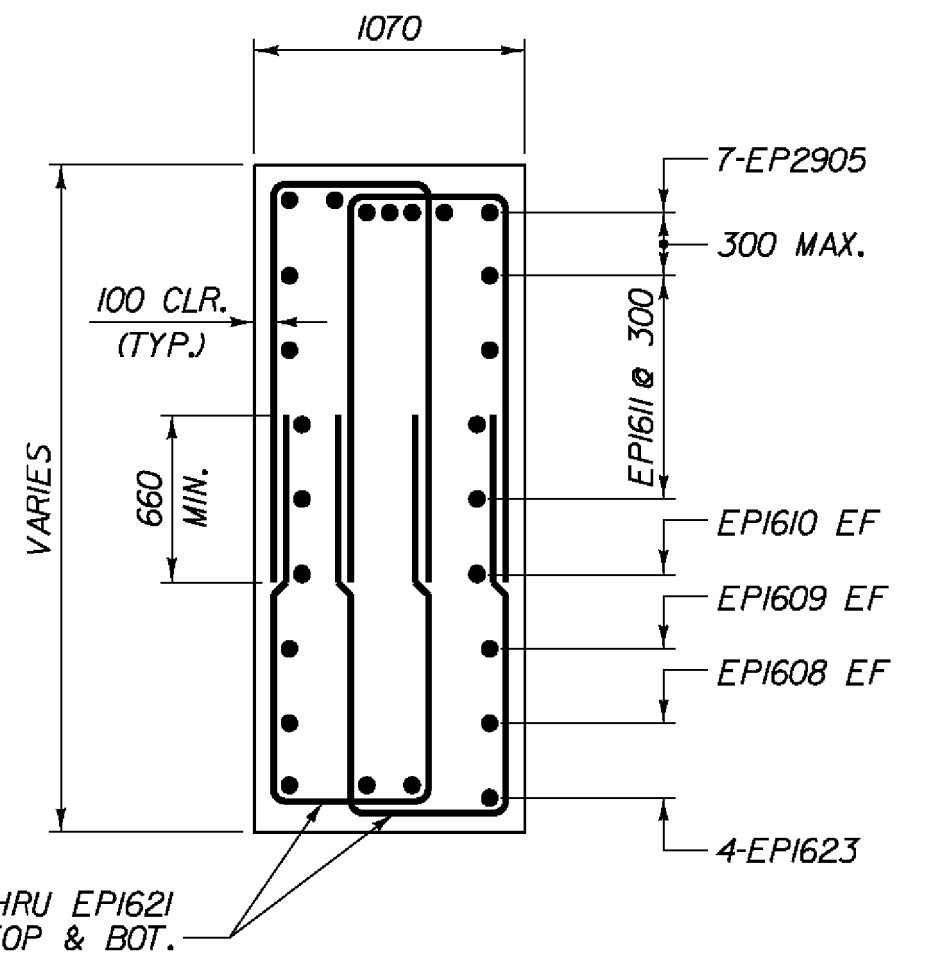
SECTION C-C
SCALE 1:40



FOOTING REINFORCING PLAN
SCALE 1:50



SECTION B-B
SCALE 1:30



SECTION A-A
SCALE 1:30

NOTE:

- NF - NEAR FACE
- FF - FAR FACE
- EF - EACH FACE
- ▲ - CUT TO FIT IN FIELD
- 75 CLR. UNLESS OTHERWISE SPECIFIED ON THE PLANS.

**STATE OF VERMONT
AGENCY OF TRANSPORTATION**

Town Of	BENNINGTON	Bridge No.	Bill
Highway No.	TH 5	Log Sta.	
		Surv. Sta.	
EAST ROAD OVER VT ROUTE 279			
PIER DETAILS			
Designed By	M. CHENETTE	Drawn By	J. SOTER
Checked By	M. CHENETTE	Date	01/07
		Bridge Design Supervisor	G. BOGUE
		Date	03/07
PROJECT	BENNINGTON	PROJECT NO.	AC NH 019-(153)
Dgn.:	...Design\NER\ER-Pier.dgn	Plot Date:	5/25/2011
Bridge Sheet No.	BR641	Sheet	288 of 577



V:\953\active\9530002\Transportation\Structural\Design\NER\ER-Pier.dgn