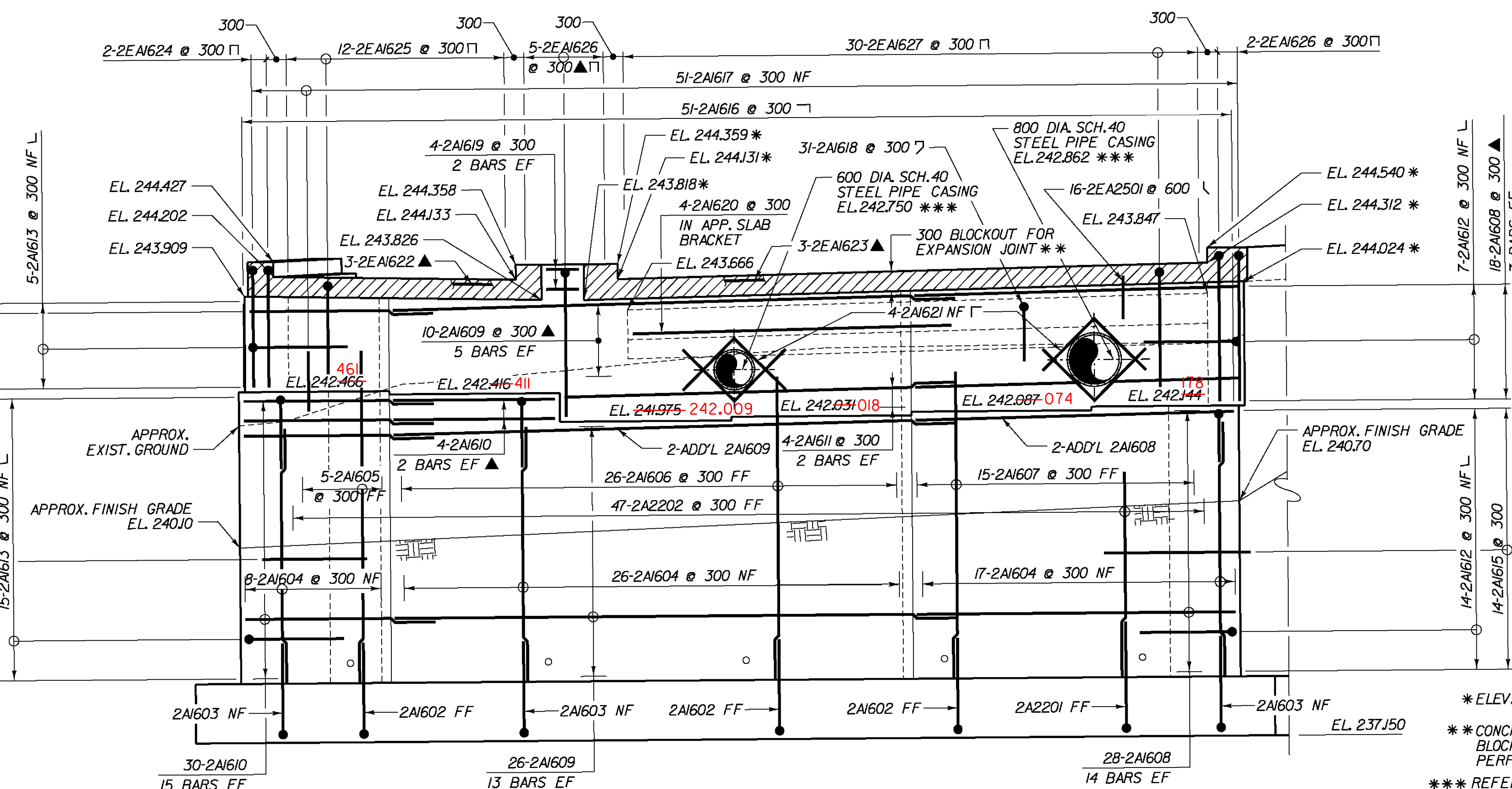
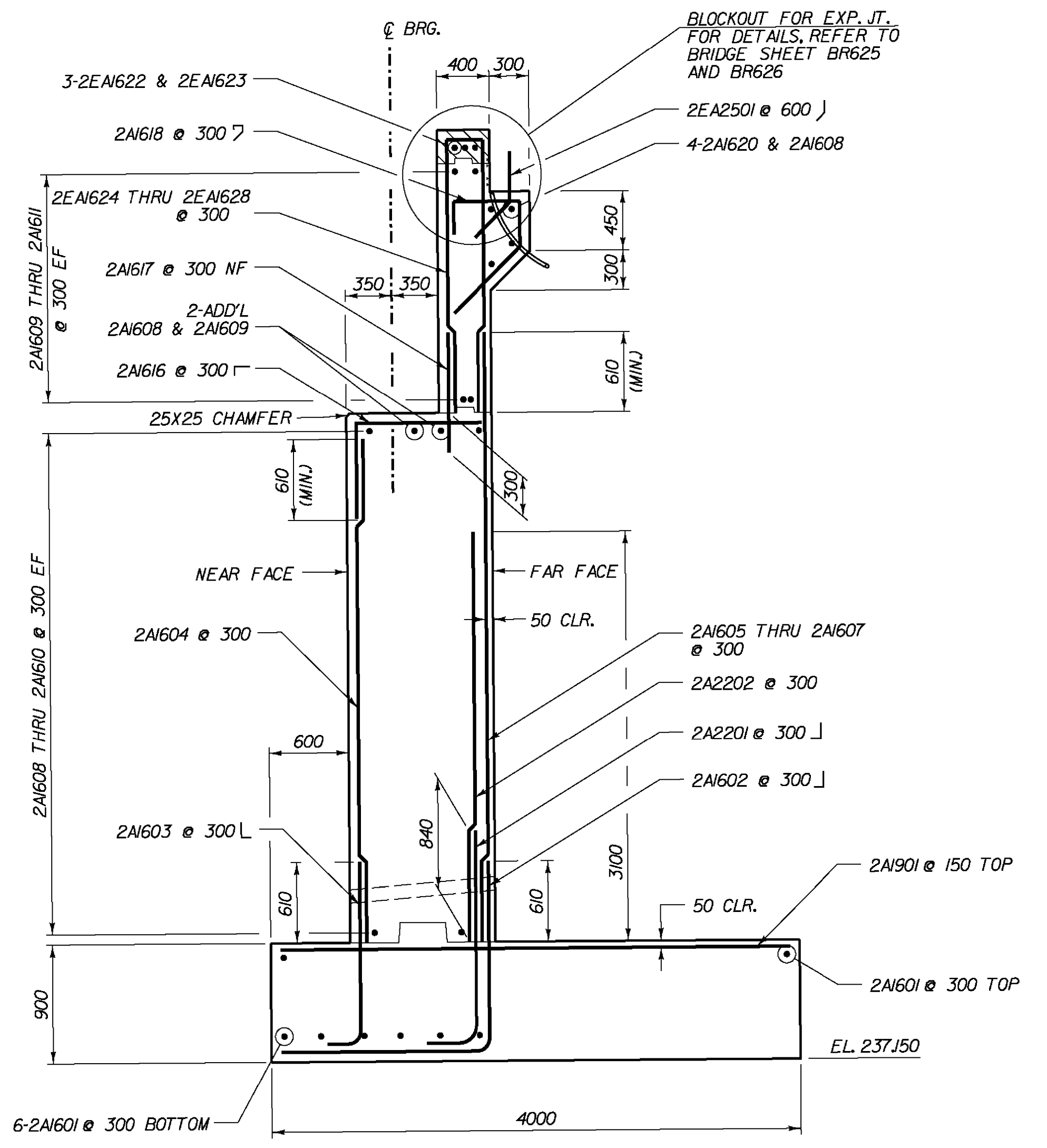


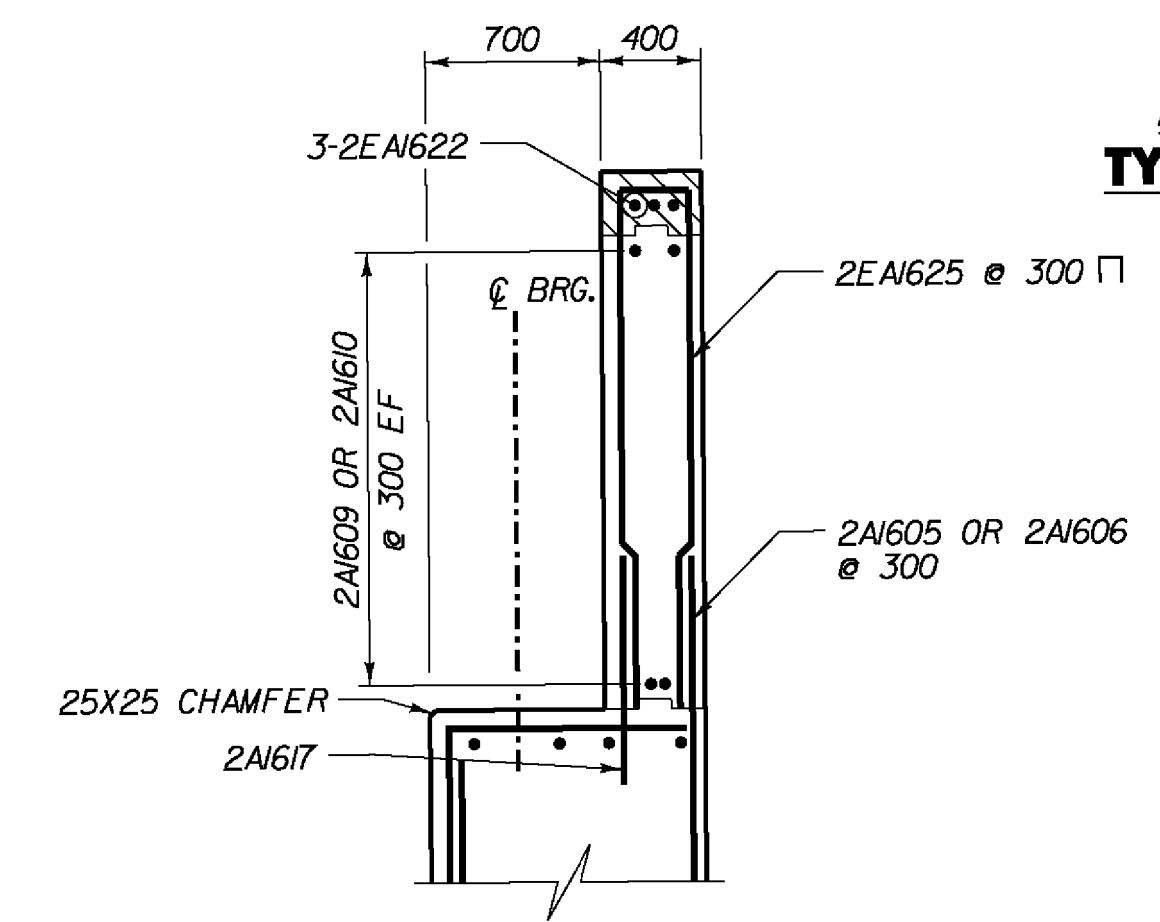
ABUTMENT 2 PLAN
SCALE 1:50



ABUTMENT 2 ELEVATION
SCALE 1:50



ABUTMENT 2 TYPICAL SECTION
SCALE 1:30



ABUTMENT BACKWALL AT SHARED USE PATH BRIDGE
SCALE 1:30

NOTE:
NF - NEAR FACE
FF - FAR FACE
EF - EACH FACE
▲ - CUT TO FIT IN FIELD
75 CLR. UNLESS OTHERWISE SPECIFIED ON THE PLANS.

* ELEVATION AT FACE OF BACKWALL
** CONCRETE FOR EXPANSION JOINT BLOCKOUT SHALL BE HIGH PERFORMANCE CLASS A
*** REFER TO UTILITY SHEET U-06 FOR DETAILS.

STATE OF VERMONT AGENCY OF TRANSPORTATION			
Town Of	BENNINGTON	Bridge No.	Bill
Highway No.	TH 5	Log Sta.	
		Surv. Sta.	
EAST ROAD OVER VT ROUTE 279			
ABUTMENT 2 PLAN AND ELEVATION			
Designed By	G. BOGUE	Drawn By	J. SOTER
Checked By	T. KNIGHT	Date	10/06
		Bridge Design Supervisor	G. BOGUE
		Date	03/07
PROJECT	BENNINGTON	PROJECT NO.	AC NH 019-(K53)
Dgn.:	...Design\NER\ER-Abut 2.dgn	Plot Date:	5/25/2011
Bridge Sheet No.	BR638	Sheet	285 of 577

