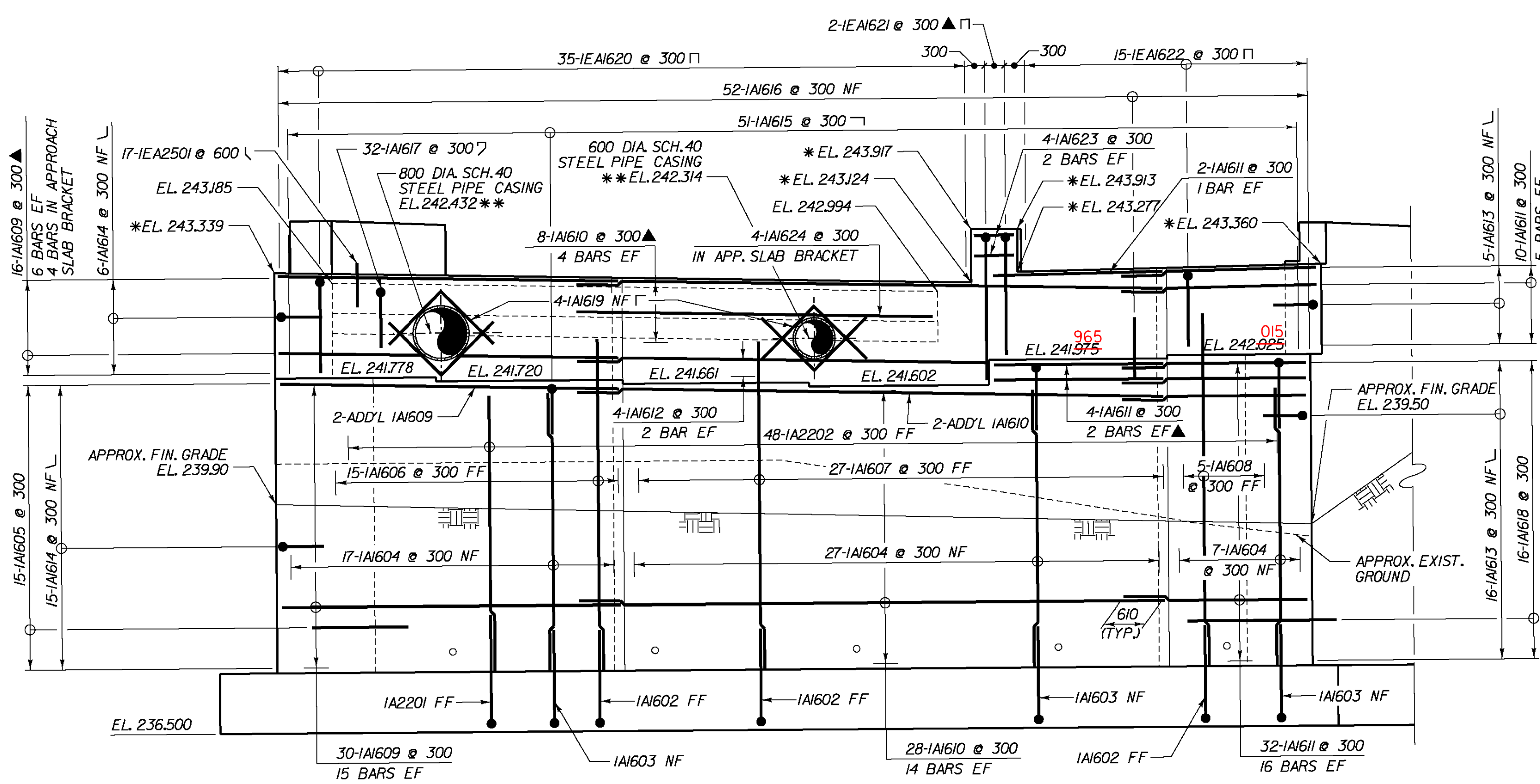
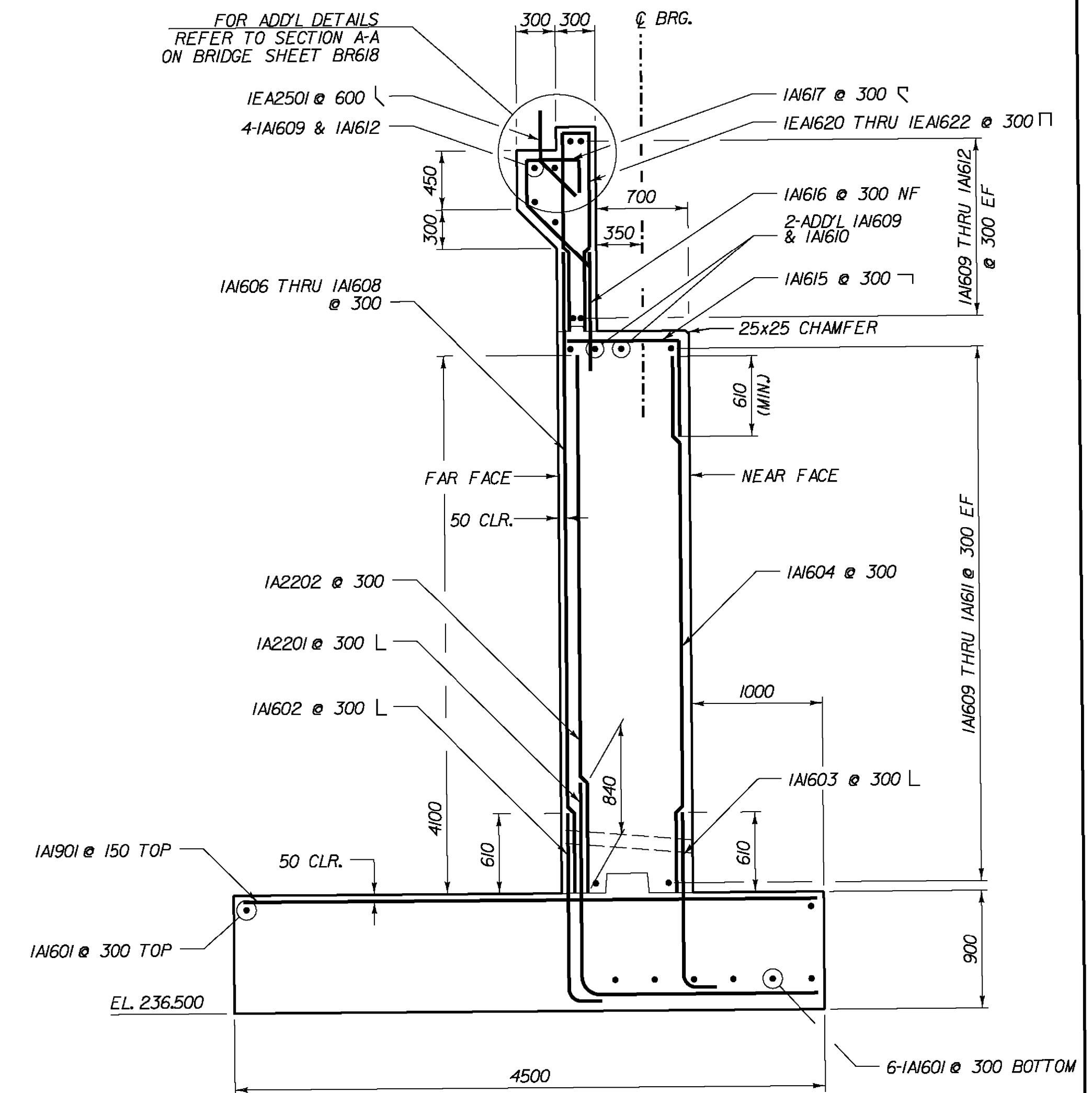


**ABUTMENT 1 PLAN**  
SCALE 1:50



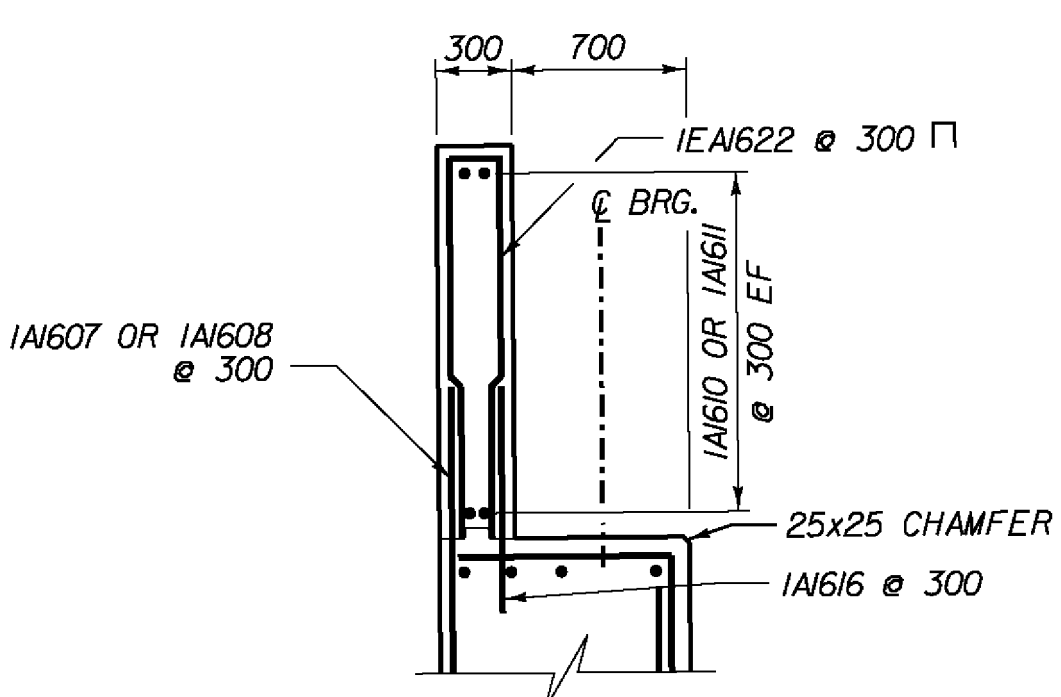
**ABUTMENT 1 ELEVATION**  
SCALE 1:50

\* ELEVATION AT FACE OF BACKWALL  
\*\* REFER TO UTILITY SHEET U-06 FOR DETAILS.



**ABUTMENT 1 TYPICAL SECTION**  
SCALE 1:30

**NOTE:**  
NF - NEAR FACE  
FF - FAR FACE  
EF - EACH FACE  
▲ - CUT TO FIT IN FIELD  
75 CLR. UNLESS OTHERWISE SPECIFIED ON THE PLANS.



**ABUTMENT BACKWALL AT SHARED USE PATH BRIDGE**  
SCALE 1:30

**STATE OF VERMONT AGENCY OF TRANSPORTATION**

Town Of	BENNINGTON	Bridge No.	Bill
Highway No.	TH 5	Log Sta.	
		Surv. Sta.	
<b>EAST ROAD OVER VT ROUTE 279</b>			
<b>ABUTMENT 1 PLAN AND ELEVATION</b>			
Designed By	G. BOGUE	Drawn By	J. SOTER
Checked By	S. BURBANK	Date	03/06
		Bridge Design Supervisor	G. BOGUE
		Date	03/07
PROJECT	BENNINGTON	PROJECT NO.	AC NH 019-1153
Dgn.:	...Design\VERNER-Abut Ldgn	Plot Date:	5/25/2011
Bridge Sheet No.	BR635	Sheet	282 of 577

