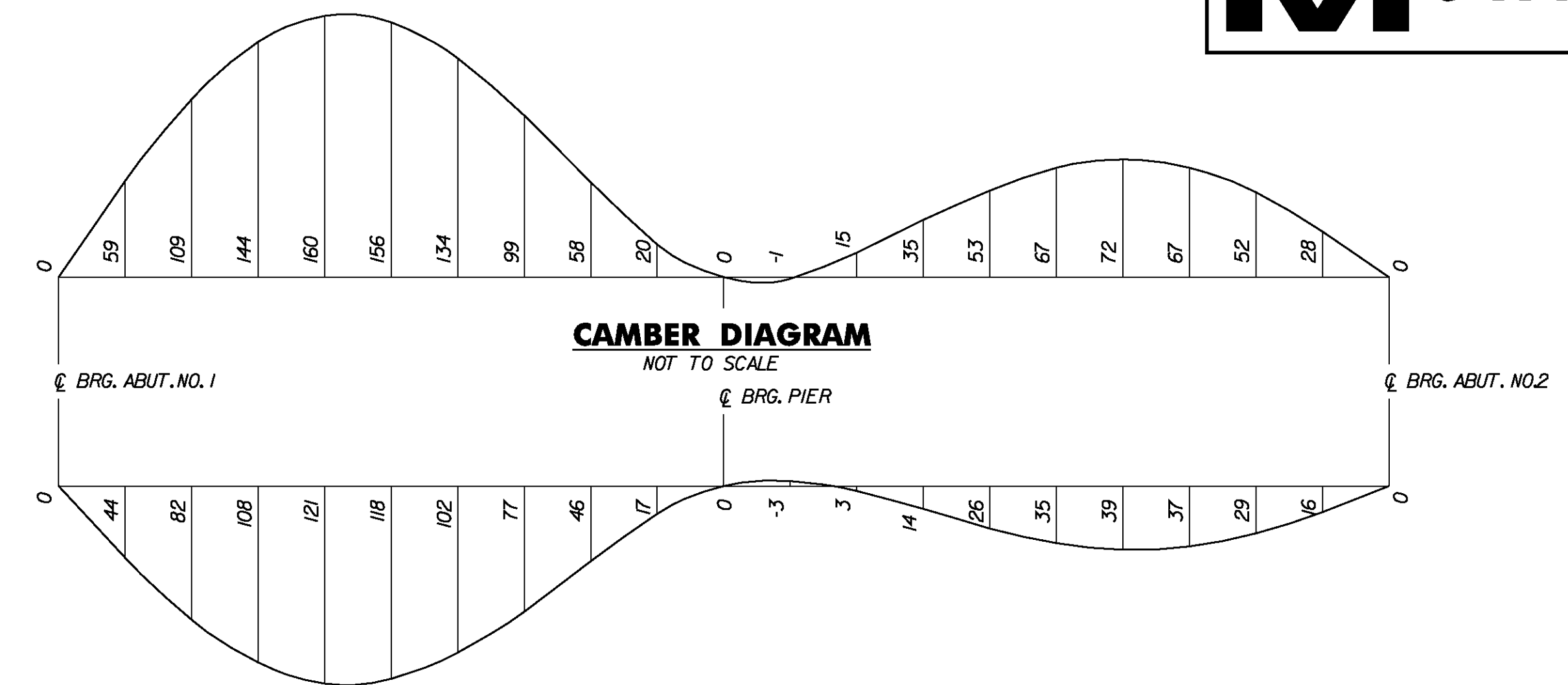


NOTE: SEE WELD LOCATION DETAIL AT CROSS FRAMES ON SHEET BR622.

ABUTMENT CROSSFRAME

SCALE 1:10

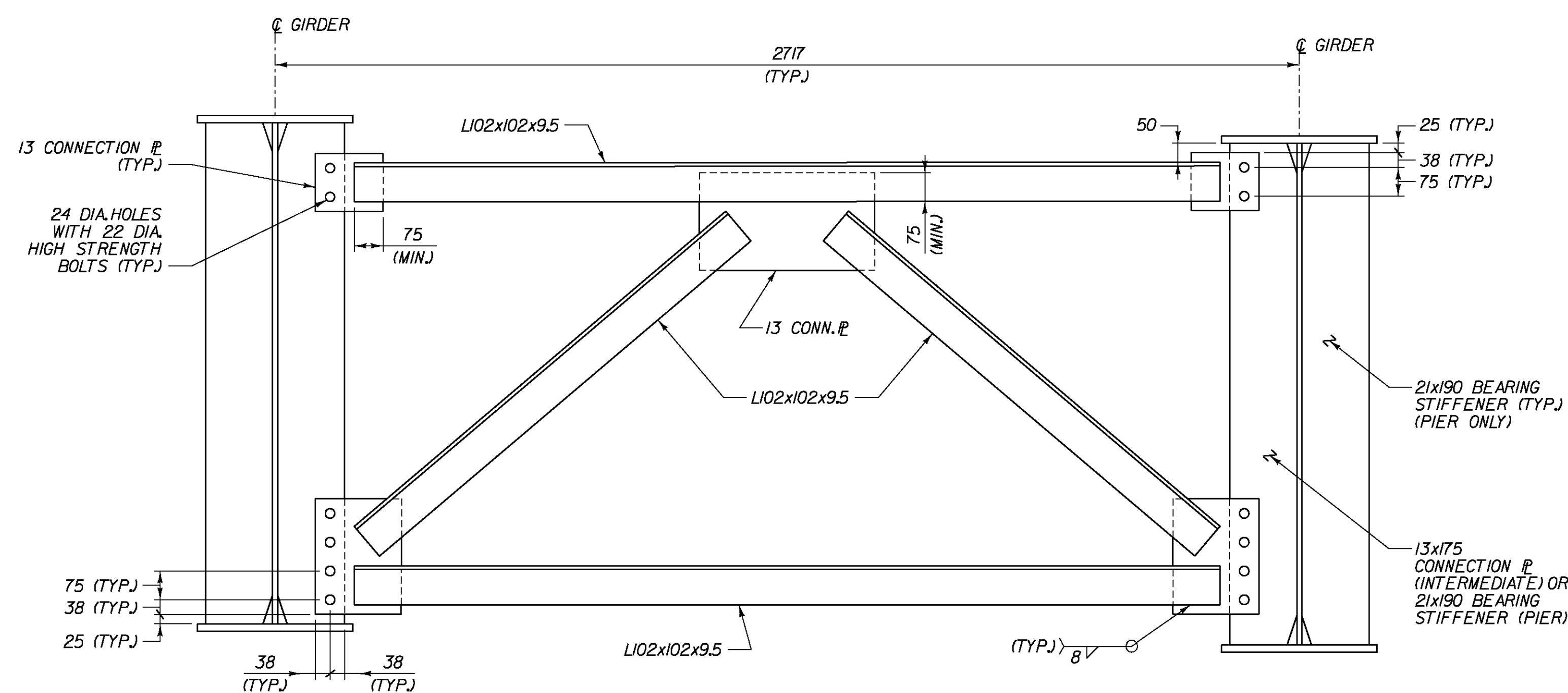


DEAD LOAD DEFLECTION DIAGRAM

NOT TO SCALE

NOTES:

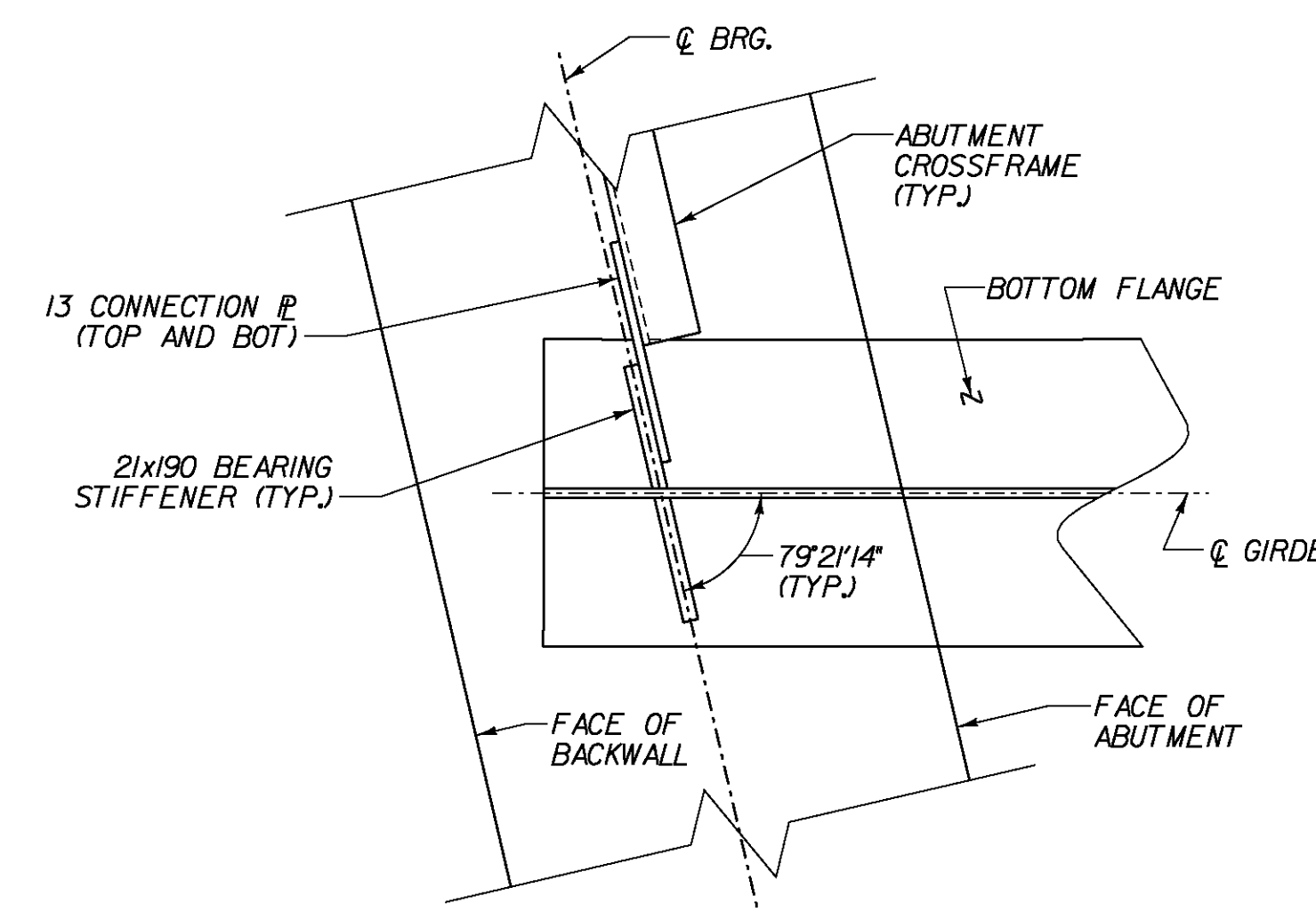
1. CAMBER AND DEAD LOAD MEASUREMENTS ARE GIVEN IN MILLIMETERS AT SPAN TENTH POINTS.
2. DEAD LOAD DEFLECTIONS SHOWN ARE FOR ALL DEAD LOADS AND SUPERIMPOSED DEAD LOADS INCLUDING BEAM AND DIAPHRAGM WEIGHTS.



NOTE: SEE WELD LOCATION DETAIL AT CROSS FRAMES ON SHEET BR622.

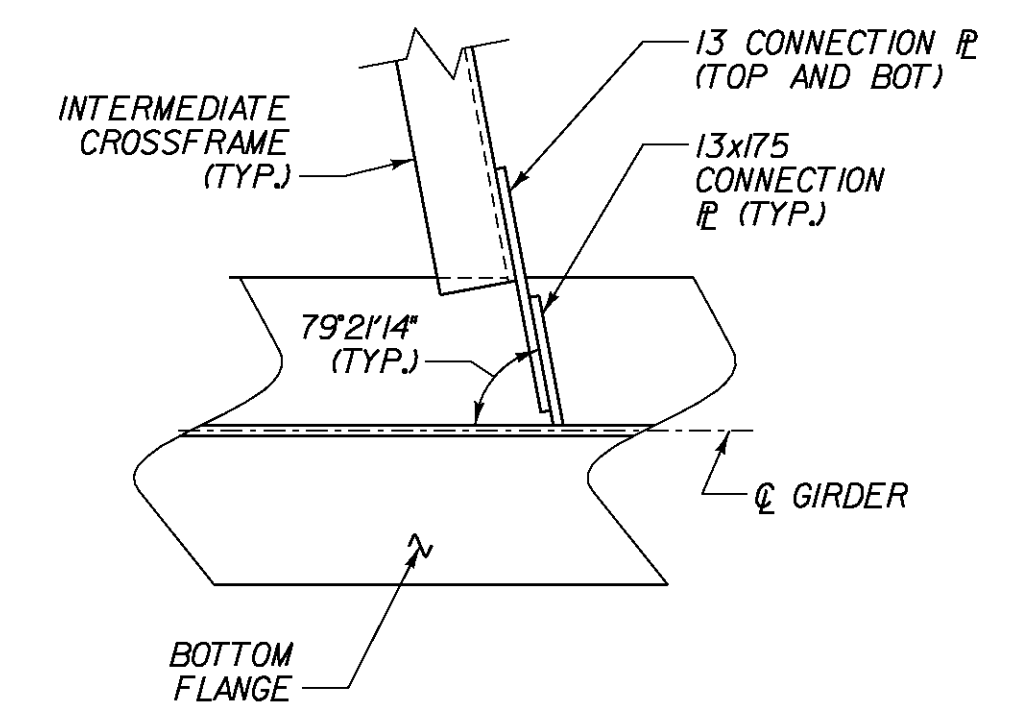
INTERMEDIATE AND PIER CROSSFRAME

SCALE 1:10



ABUTMENT 1 CROSSFRAME CONNECTION

SCALE 1:10



INTERMEDIATE CROSSFRAME CONNECTION

SCALE 1:10

STATE OF VERMONT AGENCY OF TRANSPORTATION

Town Of	BENNINGTON	Bridge No.	B11
Highway No.	TH 5	Log Sta.	
		Surv. Sta.	
SHARED USE PATH OVER VT ROUTE 279			
CROSSFRAME DETAILS (S.U.P.)			
Designed By	G. BOGUE	Drawn By	J. SOTER
Checked By	G. BOGUE	Date	03/06
		Bridge Design Supervisor	G. BOGUE Date 03/07
PROJECT	BENNINGTON	PROJECT NO.	AC NH 019-1(53)
Dgn:	...Design\ER\ERP-XFDet.dgn	Plot Date:	5/25/2011
Bridge Sheet No.	BR631	Sheet	278 of 577