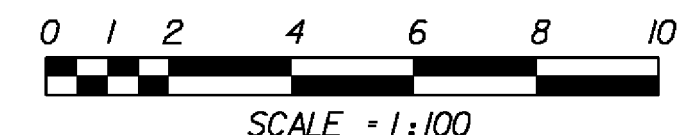
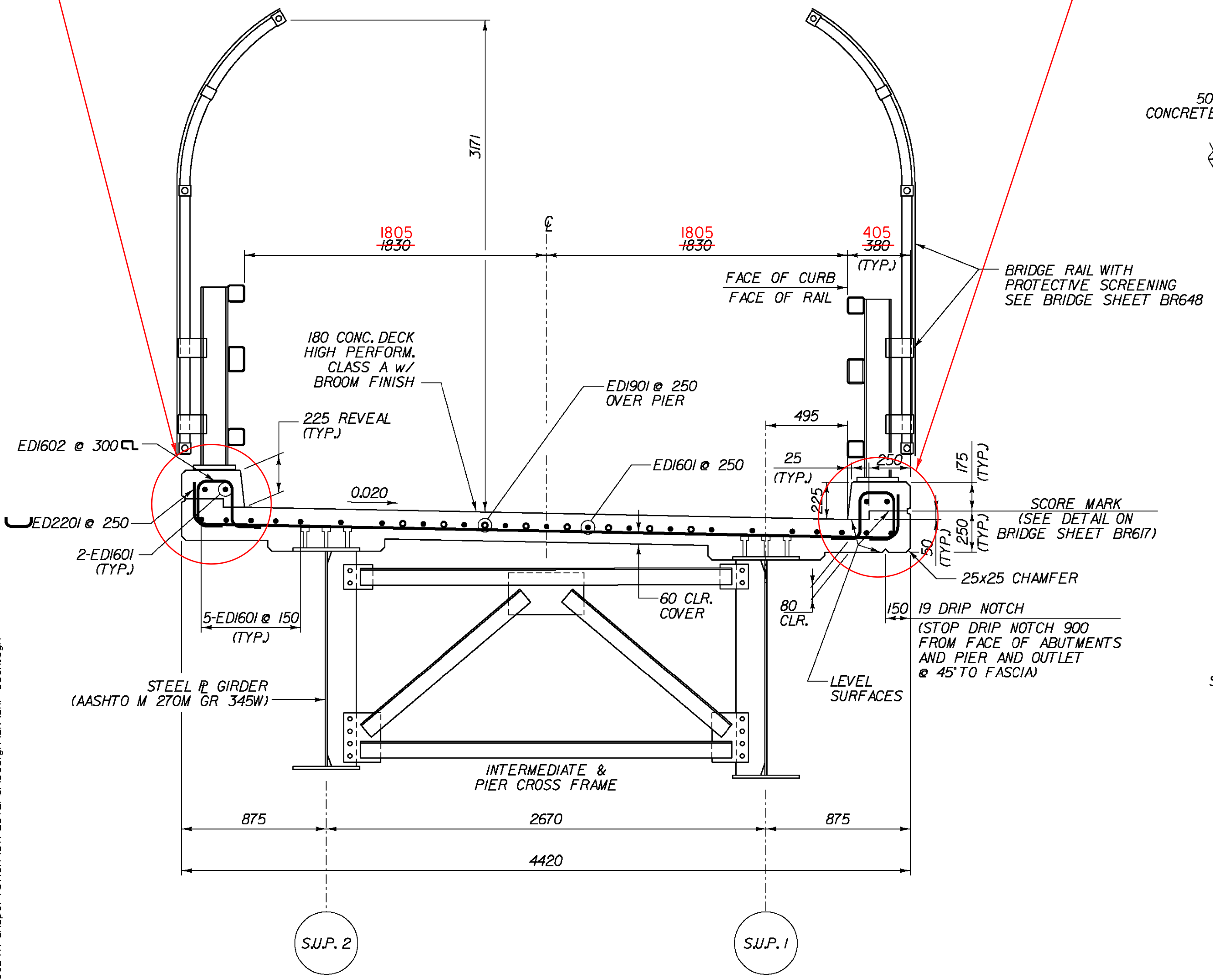


**SHARED USE PATH DECK REINFORCING PLAN**

NOTE: REQUIREMENTS FOR DECK POUR SEQUENCE ARE SIMILAR TO VEHICULAR BRIDGE, REFER TO BRIDGE SHEET BR618.

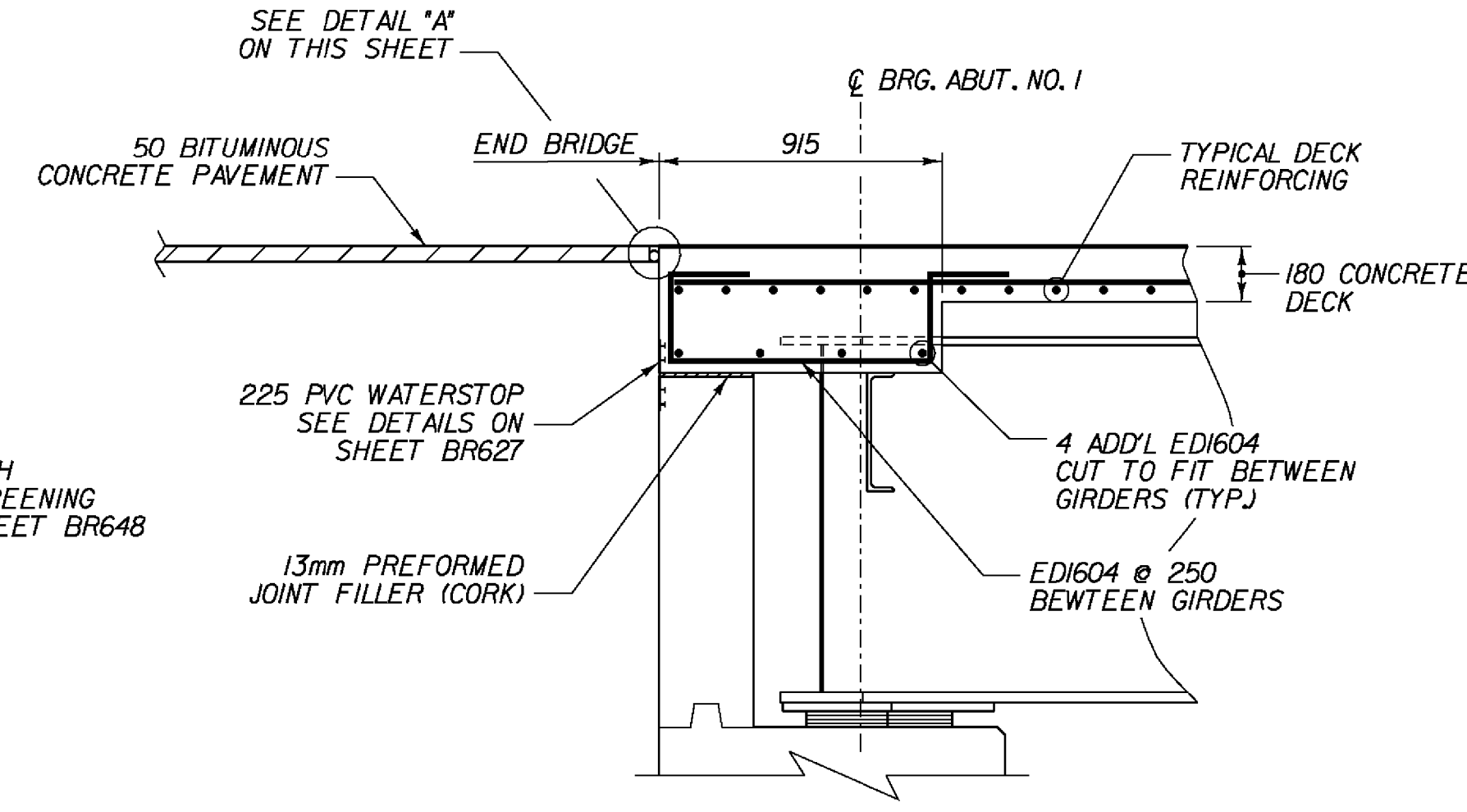


SEE ATTACHED SHEET FOR REVISED CURB REBAR DETAIL



**TYPICAL BRIDGE SECTION - SHARED USE PATH**  
SCALE 1:20

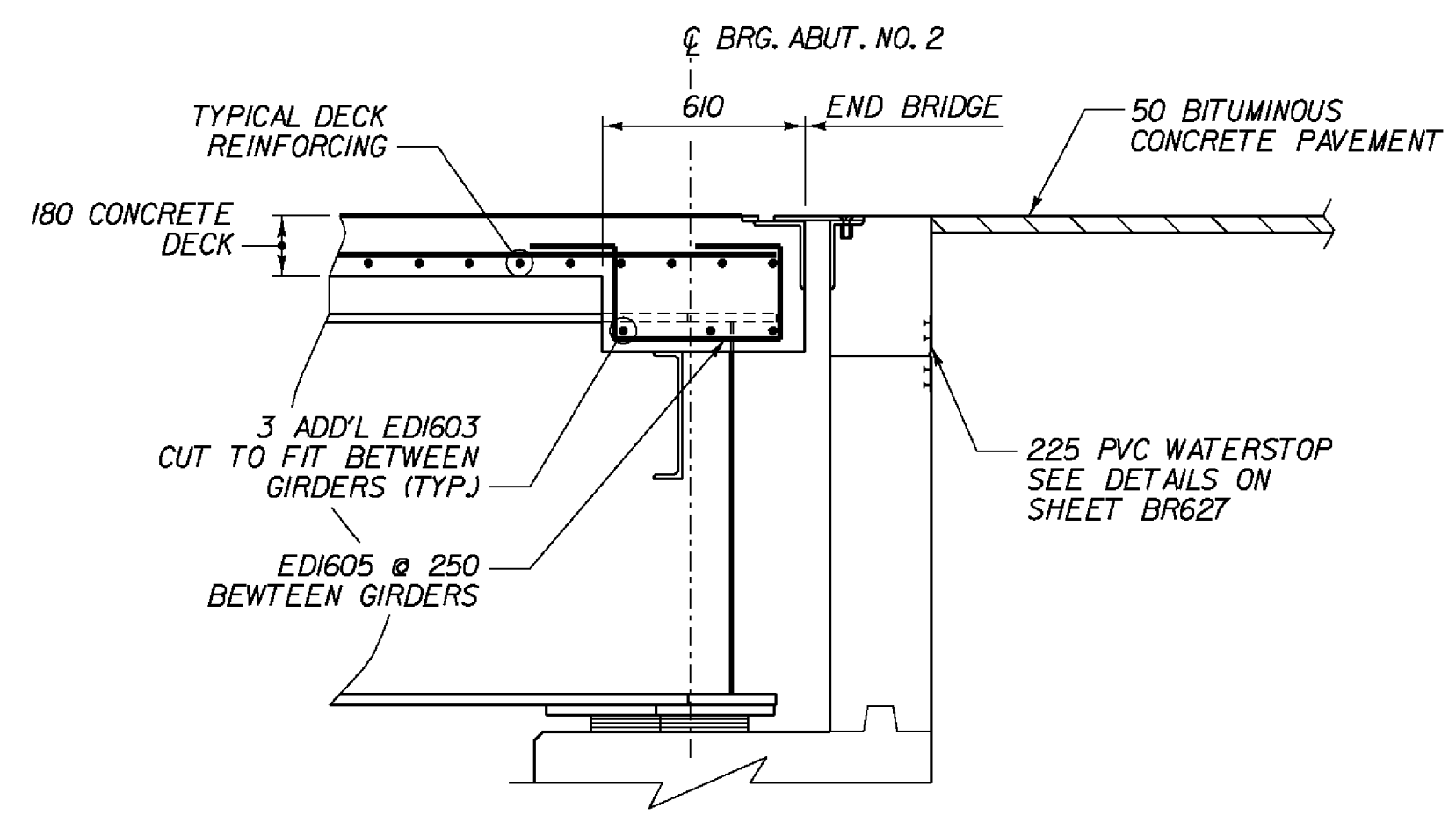
NOTE: FOR PLAN VIEW, SEE SHEET BR614



**SECTION A-A**

SCALE 1:20

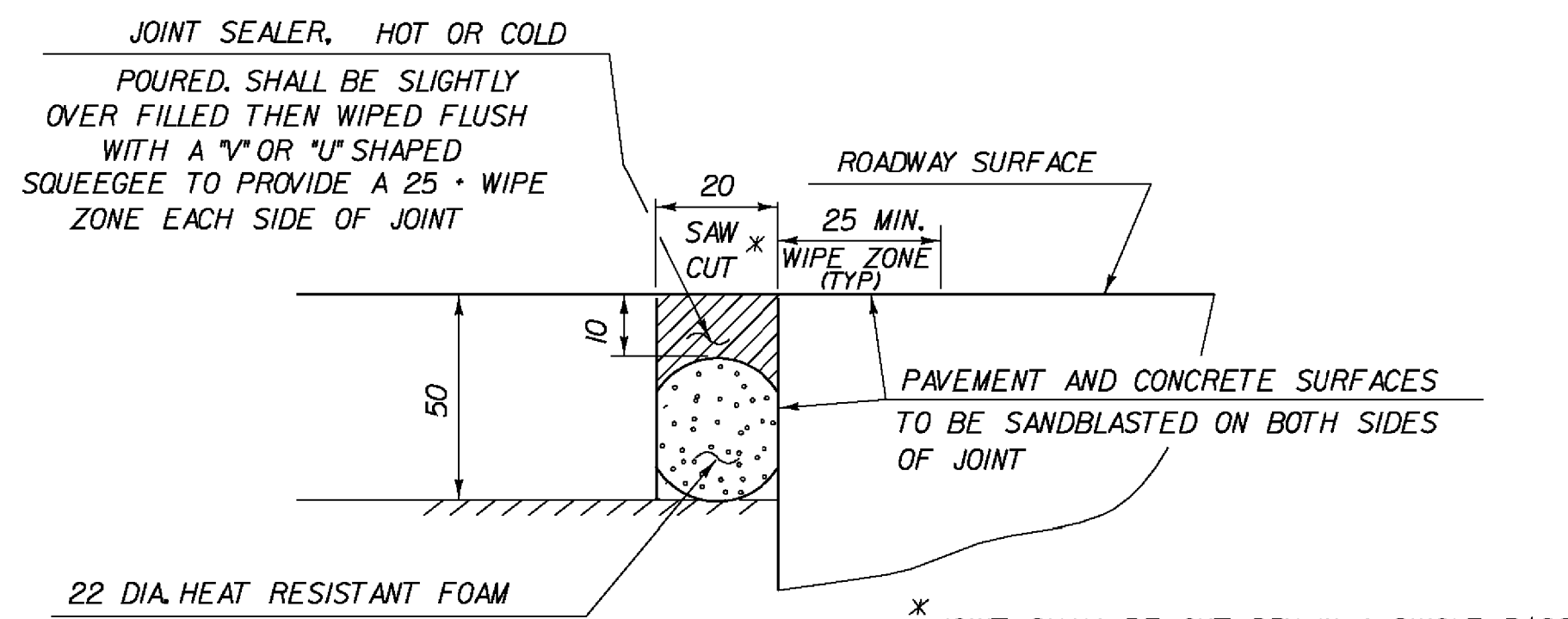
NOTE: ABUTMENT REINFORCEMENT NOT SHOWN FOR CLARITY.



**SECTION B-B**

SCALE 1:20

NOTE: ABUTMENT REINFORCEMENT NOT SHOWN FOR CLARITY.



**DETAIL "A"**

NOT TO SCALE

**STATE OF VERMONT AGENCY OF TRANSPORTATION**

Town Of	<b>BENNINGTON</b>	Bridge No.	Bill
Highway No.	<b>TH 5</b>	Log Sta.	
		Surv. Sta.	
<b>SHARED USE PATH OVER VT ROUTE 279</b>			
<b>TYPICAL SECTION (S.U.P.)</b>			
Designed By	T. KNIGHT	Drawn By	J. SOTER
Checked By	G. BOGUE	Date	04/06
		Bridge Design Supervisor	G. BOGUE
		Date	03/07
PROJECT	<b>BENNINGTON</b>	PROJECT NO.	<b>AC NH 019-1(53)</b>
Dgn.:	...Design\ERP-Deck.dgn	Plot Date:	5/25/2011
Bridge Sheet No.	BR629	Sheet	276 of 577



W:\953\active\9530002\Transportation\Structural\Design\ERP-Deck.dgn