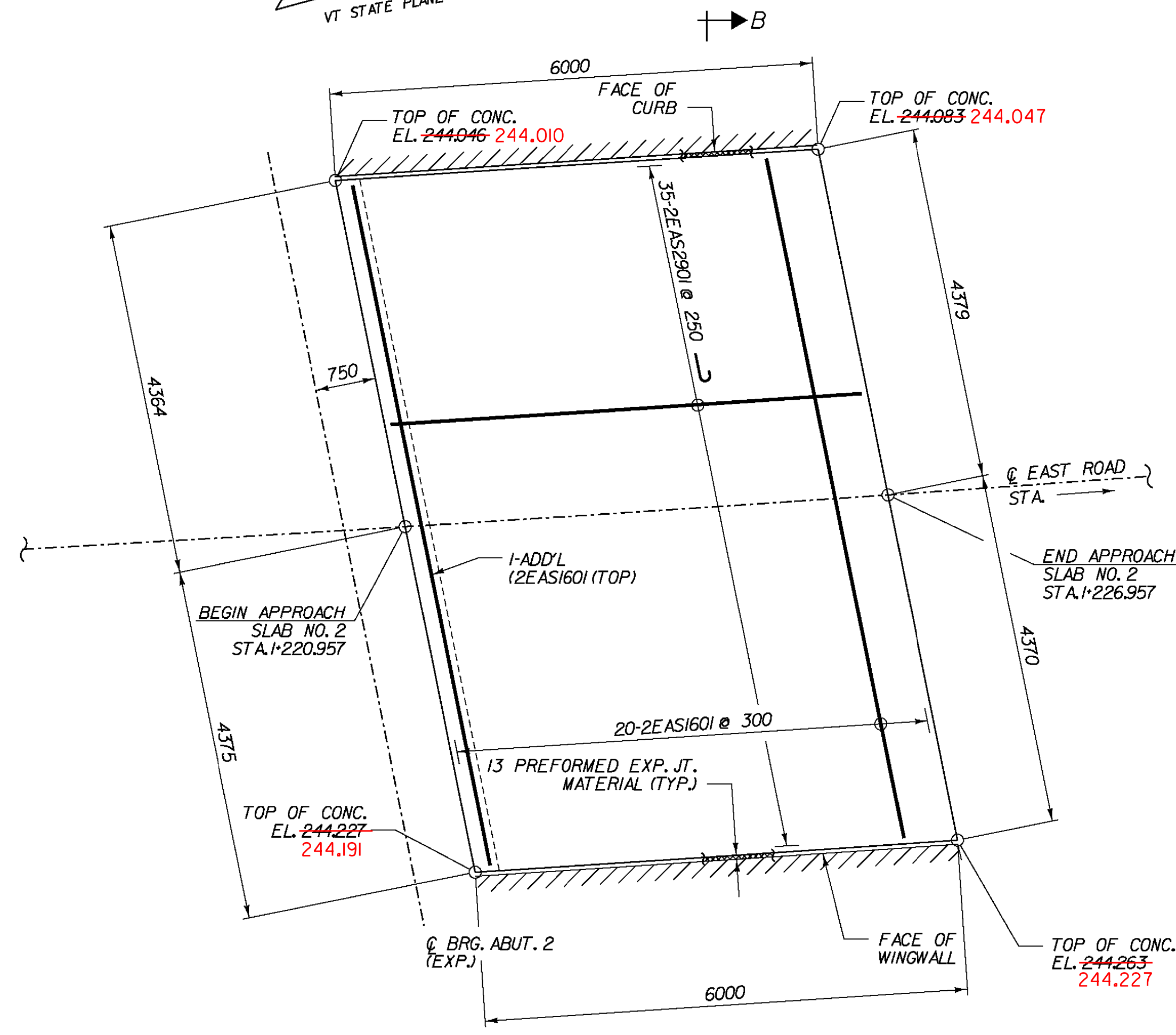
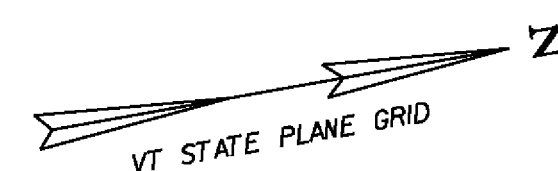
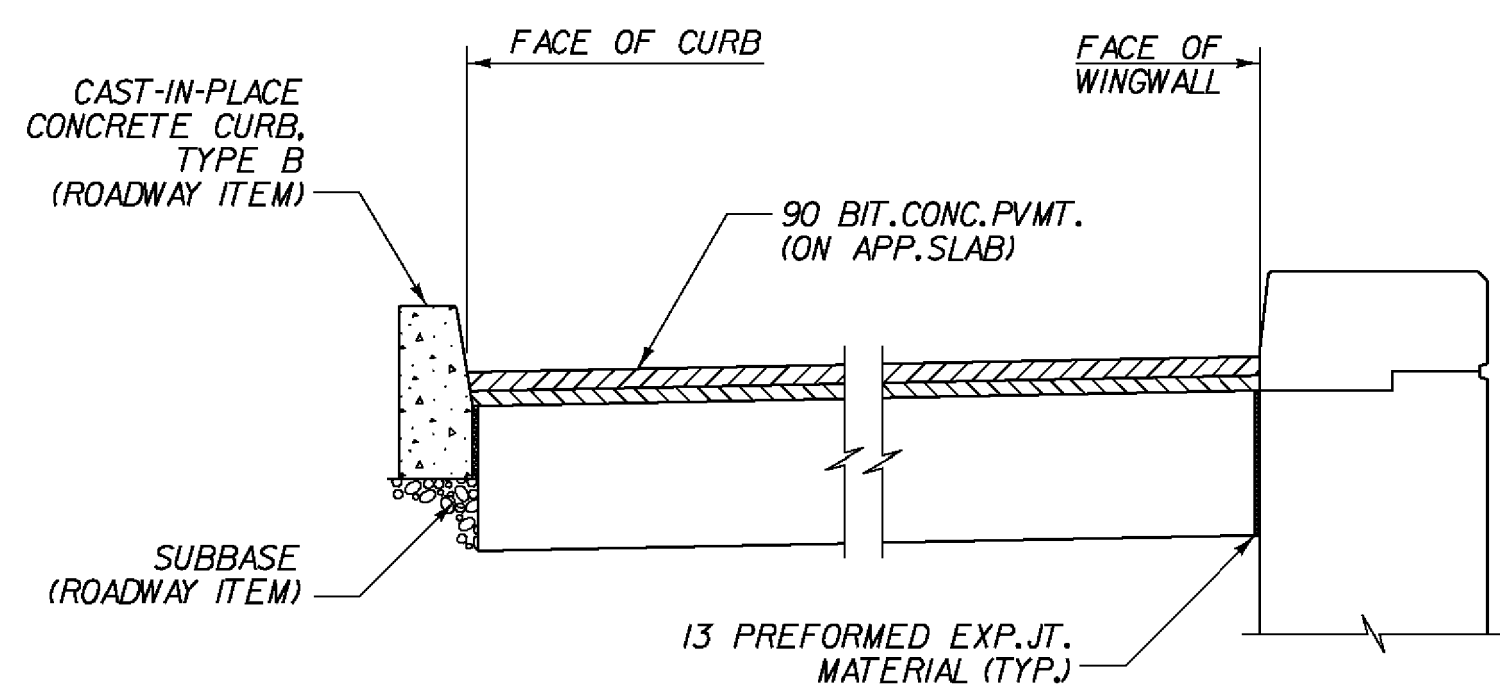


**APPROACH SLAB 1**  
SCALE 1:50

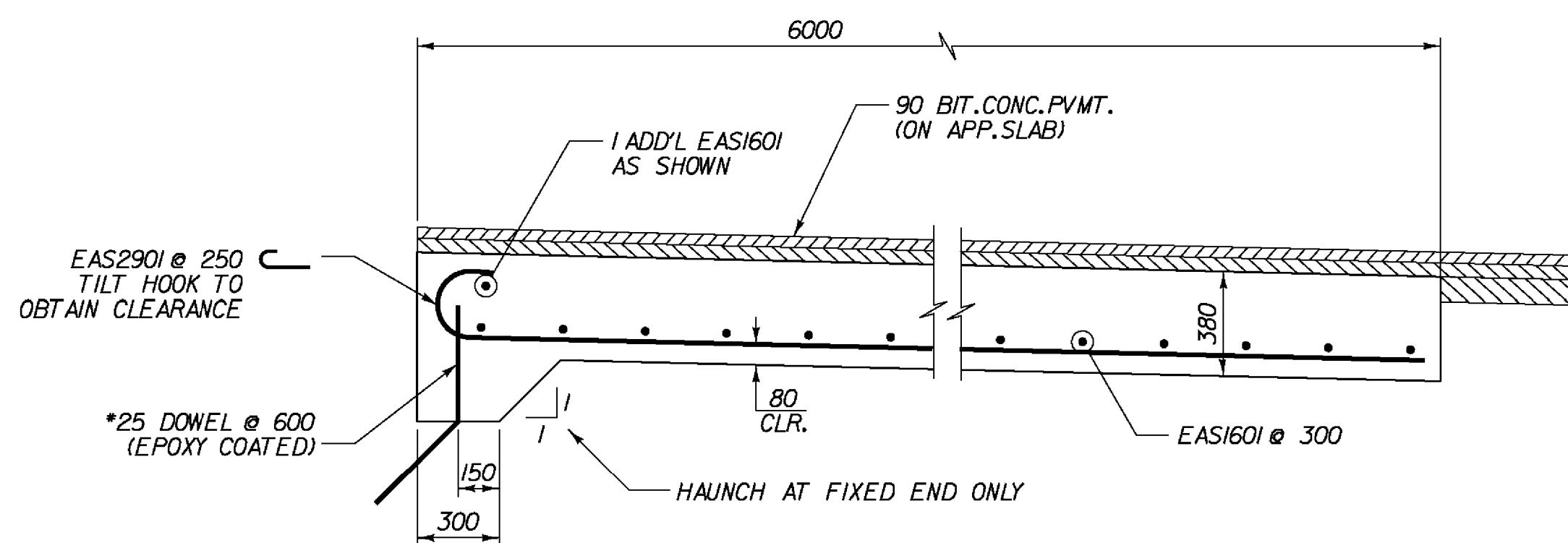


**APPROACH SLAB 2**  
SCALE 1:50

**NOTE:**  
NF - NEAR FACE  
FF - FAR FACE  
EF - EACH FACE  
▲ - CUT TO FIT IN FIELD  
75 CLR. UNLESS OTHERWISE SPECIFIED ON THE PLANS.



**SECTION B-B**  
SCALE 1:20



**TYPICAL APPROACH SLAB SECTION**  
SCALE 1:20

**STATE OF VERMONT  
AGENCY OF TRANSPORTATION**

Town Of	<b>BENNINGTON</b>	Bridge No.	Bill
Highway No.	<b>TH 5</b>	Log Sta.	
		Surv. Sta.	
<b>EAST ROAD OVER VT ROUTE 279</b>			
<b>APPROACH SLAB DETAILS</b>			
Designed By	T. KNIGHT	Drawn By	J. SOTER
Checked By	S. BURBANK	Date	01/06
		Bridge Design Supervisor	G. BOGLIE
		Date	03/07
PROJECT	<b>BENNINGTON</b>	PROJECT NO.	<b>AC NH 019-1(53)</b>
Dgn.:	...Design\NER\ER-ApprSib.dgn	Plot Date:	5/25/2011
Bridge Sheet No.	BR628	Sheet	275 of 577

