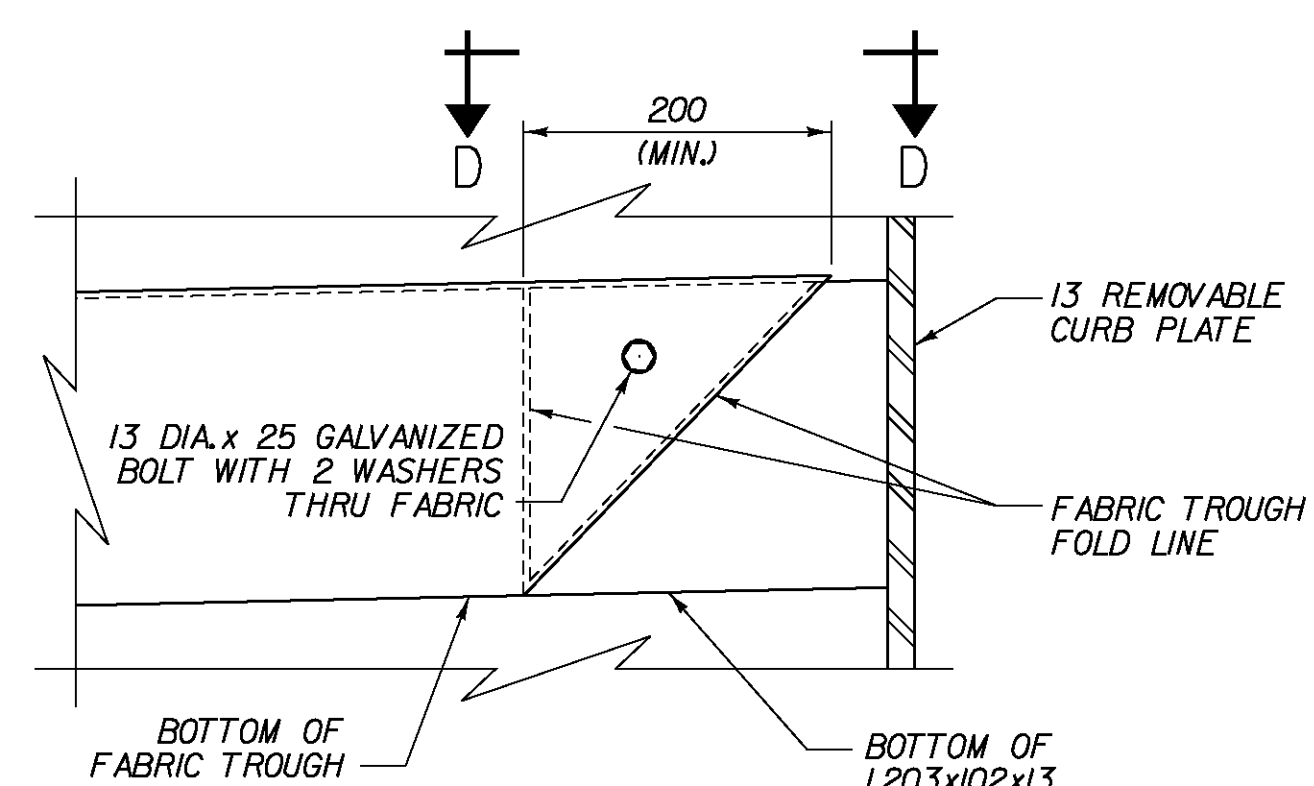
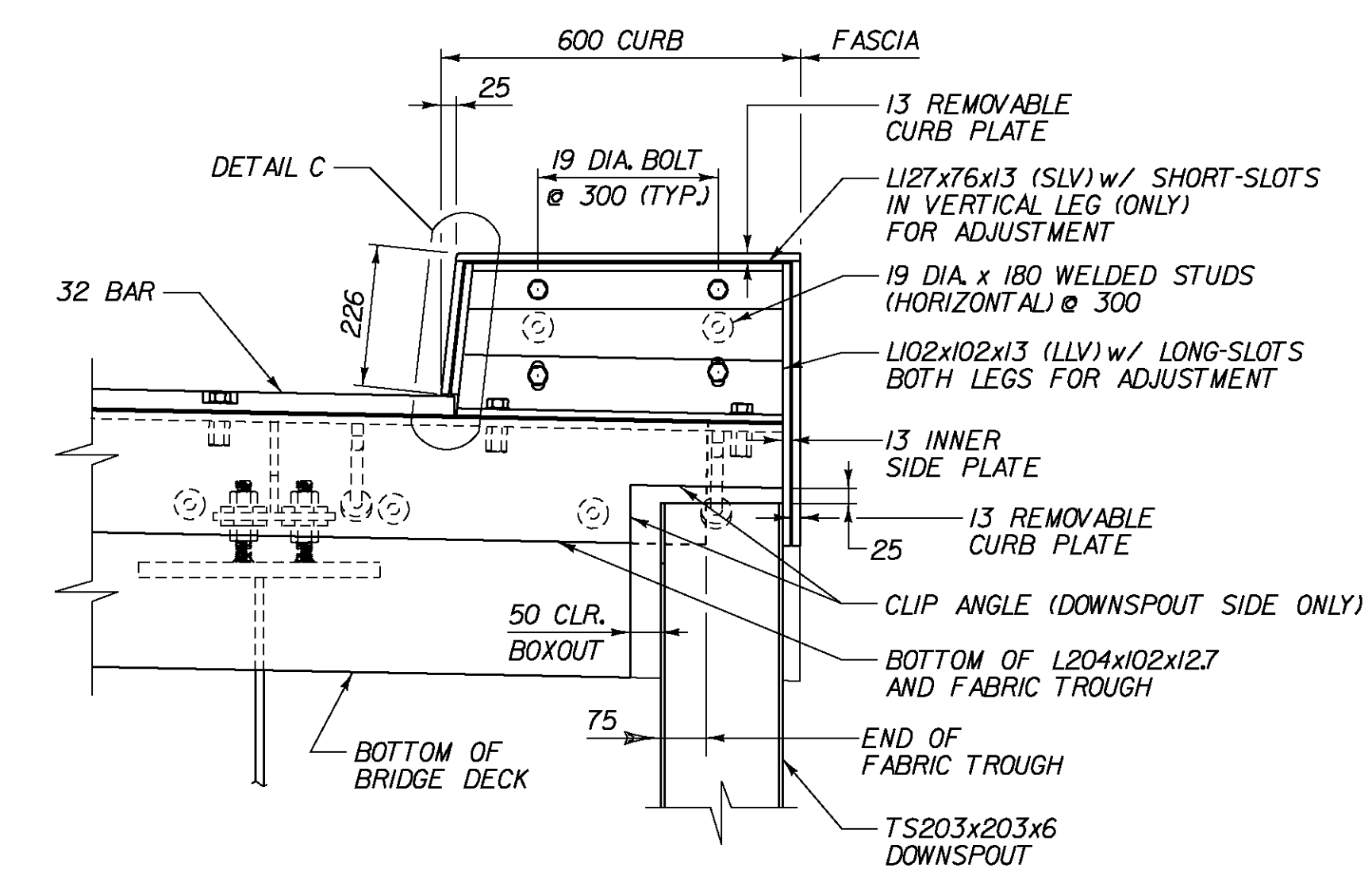


\* ELEVATION AT FACE OF BACKWALL NOT TOP OF CURB PLATE OR 32x140 BAR

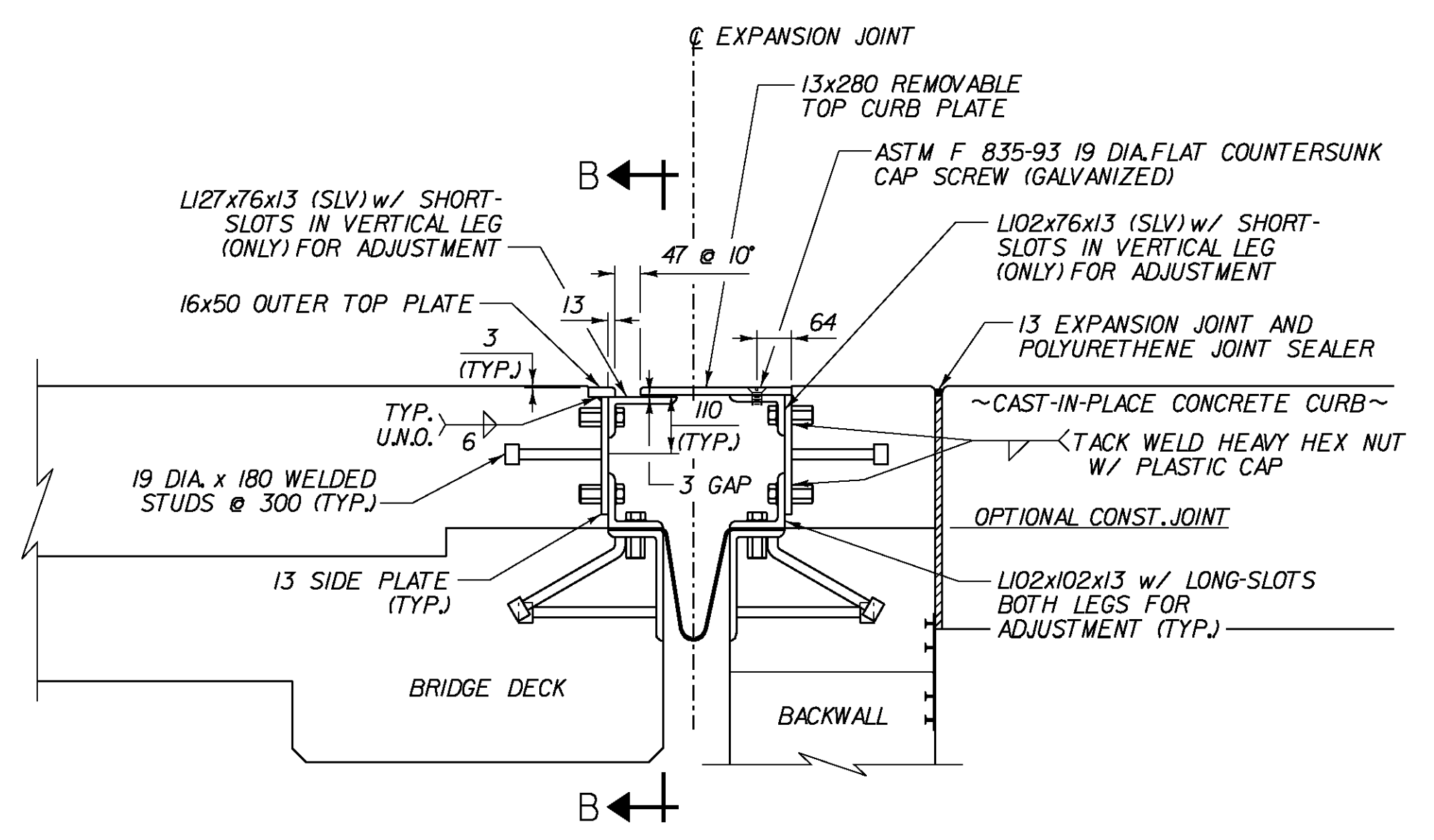
**PLAN VIEW**  
SCALE 1:20



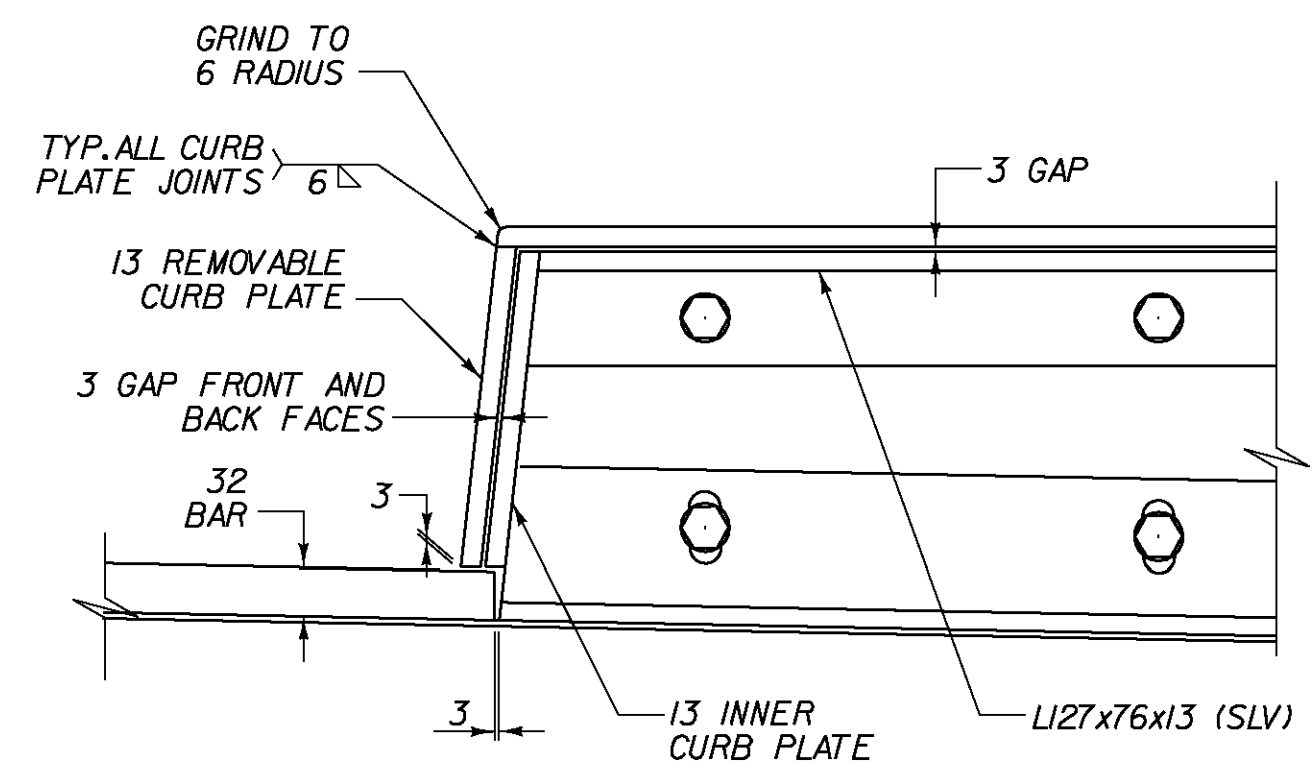
**ELEVATION FOLDED TROUGH END DETAILS**  
NOT TO SCALE



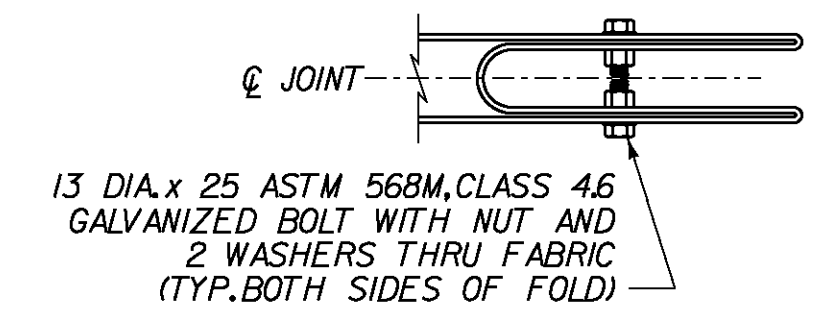
**SECTION B-B**  
SCALE 1/10



**SECTION A-A**  
SCALE 1/10



**DETAIL C**  
SCALE 1/5



**VIEW D-D**  
NOT TO SCALE

<b>STATE OF VERMONT AGENCY OF TRANSPORTATION</b>			
Town Of	BENNINGTON	Bridge No.	Bill
Highway No.	TH 5	Log Sta.	
		Surv. Sta.	
<b>EAST ROAD OVER VT ROUTE 279</b>			
<b>EXPANSION JOINT PLAN</b>			
Designed By	S. BURBANK	Drawn By	J. SOTER
Checked By	S. BURBANK	Bridge Design Supervisor	G. BOGUE
Date	04/06	Date	03/07
PROJECT	BENNINGTON	PROJECT NO.	AC NH 019-1(53)
Dgn:	...Design\ER\ER-ExpJt.dgn	Plot Date:	5/25/2011
Bridge Sheet No.	BR625	Sheet	272 of 577