

**PLAN**  
SCALE = 1:10

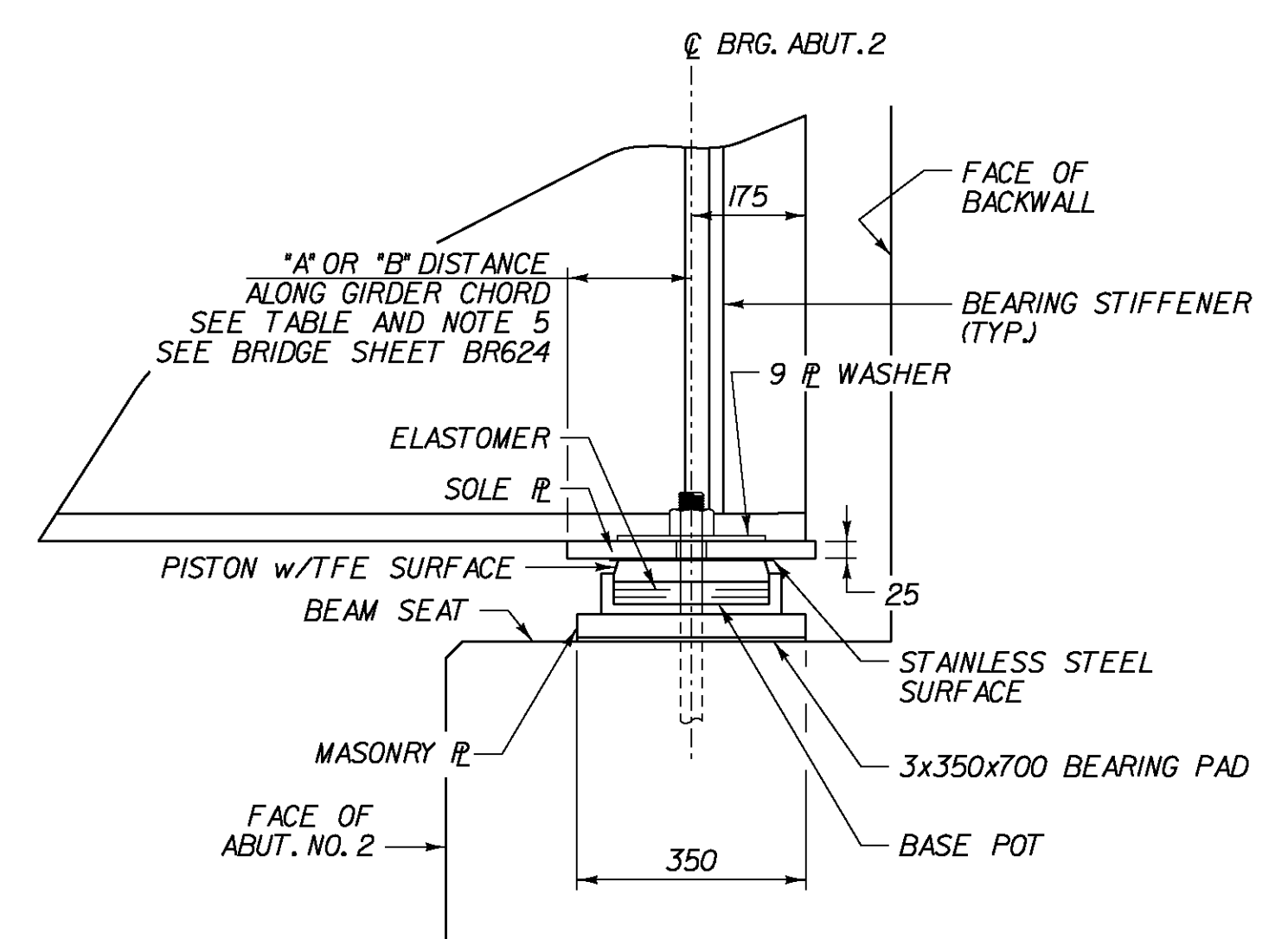
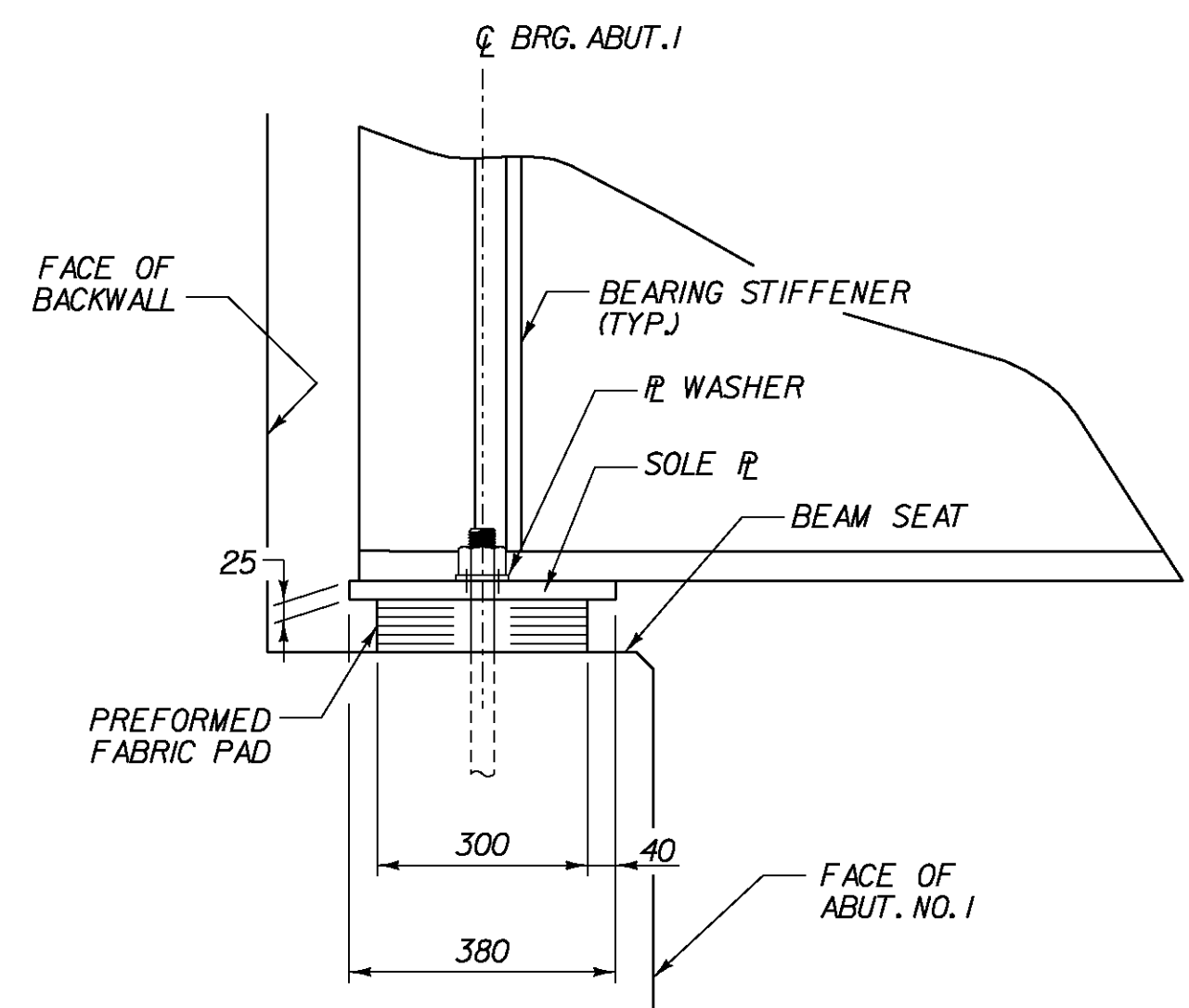
**ABUTMENT 2 TEMPERATURE SETTING TABLE**

TEMP.	*A' DIST.	*B' DIST.
-20°C	215	224
-10°C	207	216
0°C	198	207
10°C	190	199
20°C	182	191
30°C	173	182
40°C	165	174

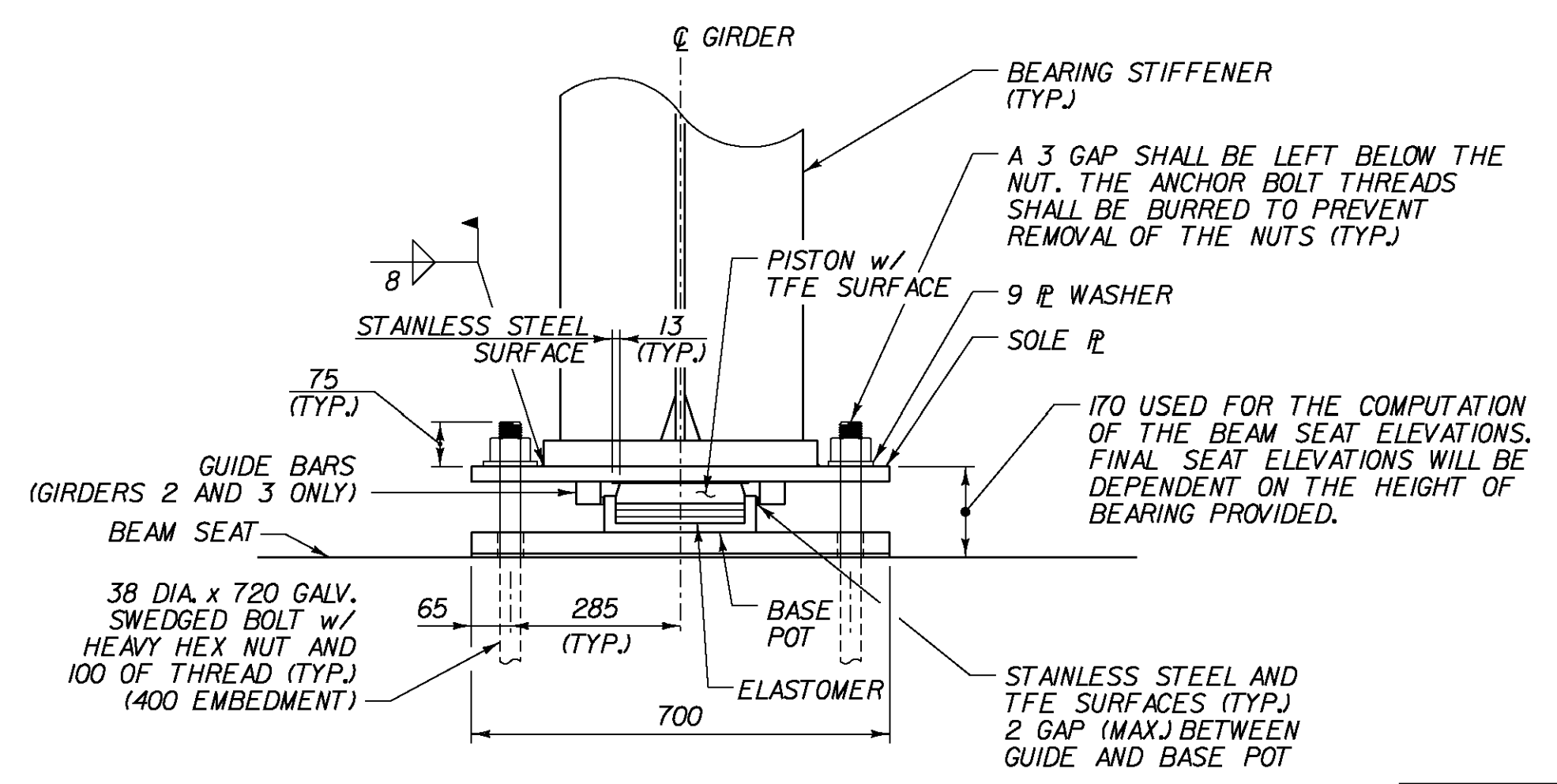
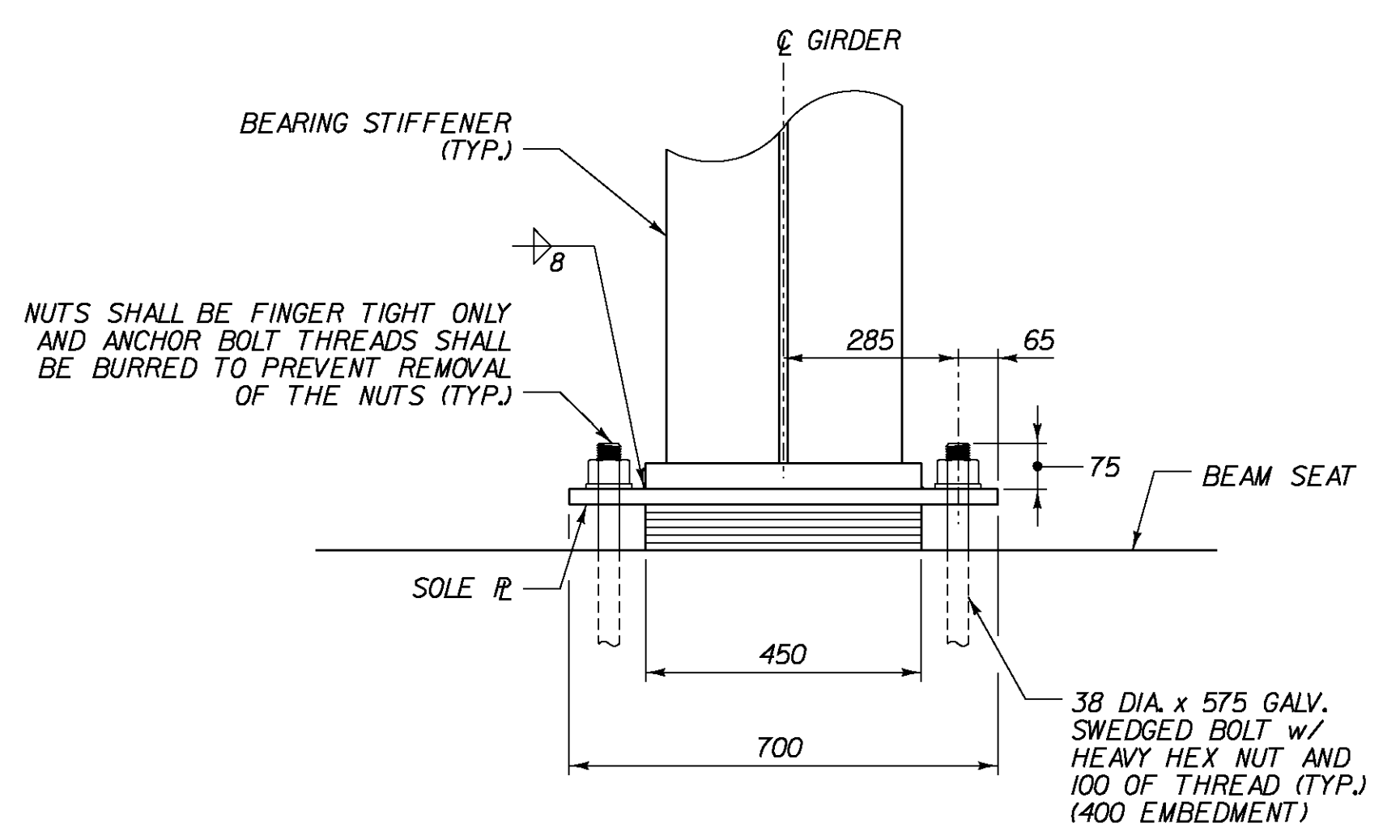
REFER TO NOTE 5 ON BRIDGE SHEET BR624

**GIRDER CHORD ANGLE TABLE**

LOCATION	ANGLE BETWEEN GIRDER CHORD AND C. BRG. FOR ABUT. NO. 2
GIRDER NO. 4	79°26'49"
GIRDER NO. 3	79°28'57"
GIRDER NO. 2	79°31'07"
GIRDER NO. 1	79°33'15"



**SIDE ELEVATION**  
SCALE = 1:10



**FRONT ELEVATION**  
SCALE = 1:10

**STATE OF VERMONT AGENCY OF TRANSPORTATION**

Town Of	BENNINGTON	Bridge No.	B11
Highway No.	TH 5	Log Sta.	
		Surv. Sta.	
<b>EAST ROAD OVER VT ROUTE 279</b>			
<b>ABUTMENT BEARING DETAILS</b>			
Designed By	G. BOGUE	Drawn By	J. SOTER
Checked By	T. KNIGHT	Date	4/06
		Bridge Design Supervisor	G. BOGUE
		Date	03/07
PROJECT	BENNINGTON	PROJECT NO.	AC NH 019-1(53)
Dgn:	...Design\ER\ER-Brgsl.dgn	Plot Date:	5/25/2011
Bridge Sheet No.	BR623	Sheet	270 of 577



V:\9513\oc1\ve\95130002A\transportation\structure\design\ER\ER-Brgsl.dgn