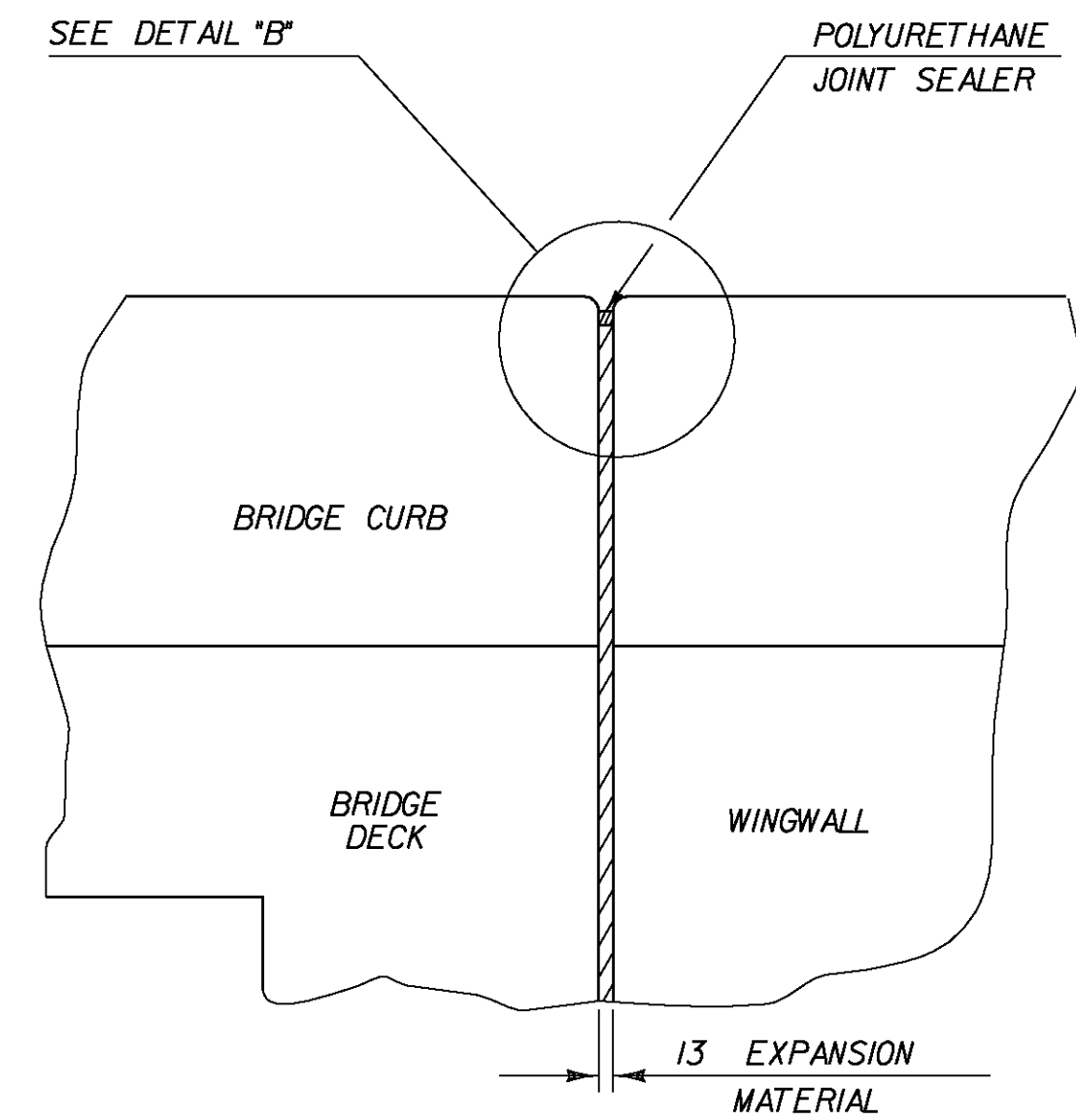
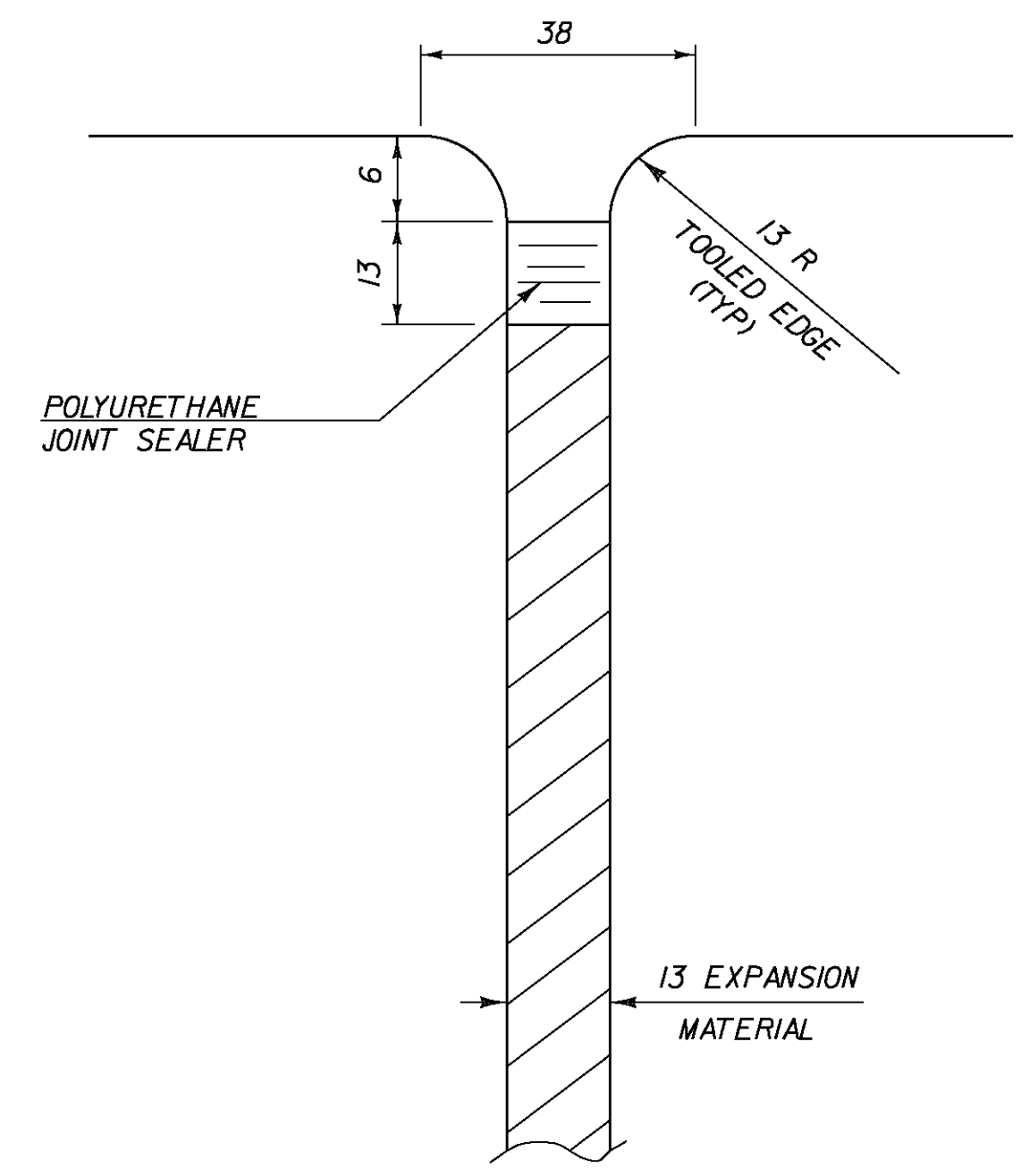


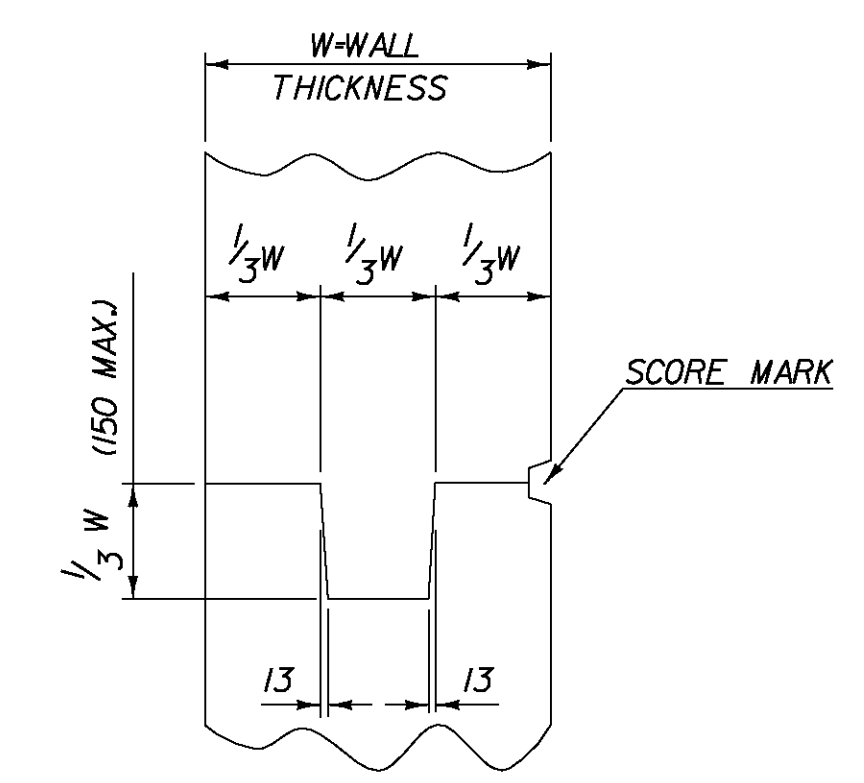
**TYPICAL SECTION THROUGH CURB JOINT AT FIXED END OF BRIDGE**



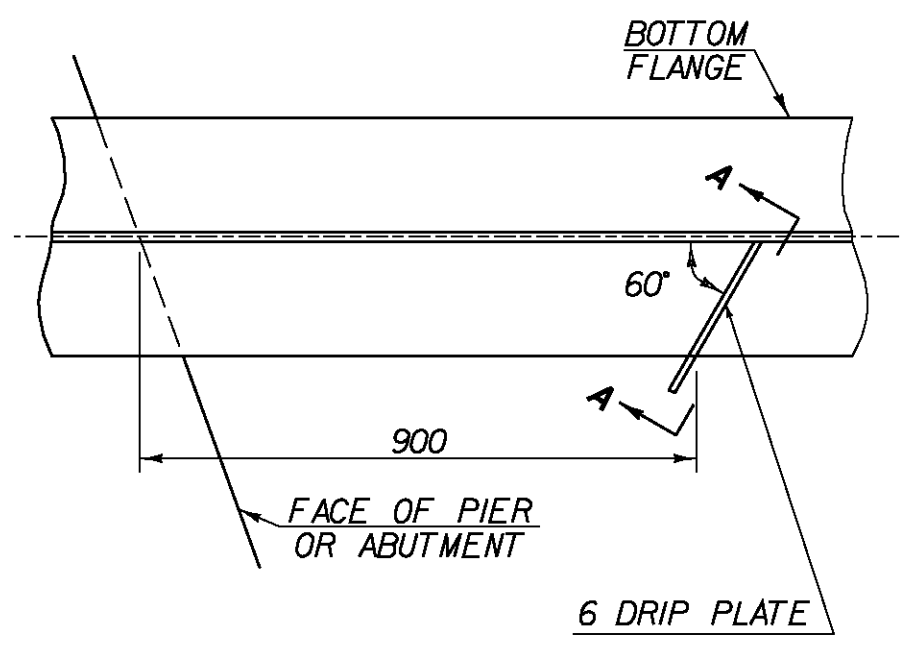
**SECTION A - A**



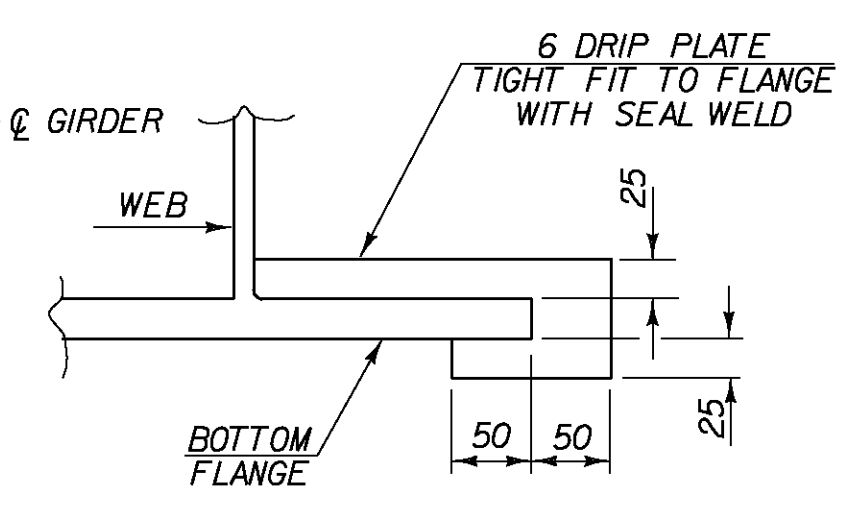
**DETAIL "B"**  
FOR DETAILS OF POLYURETHANE JOINT SEALER SEE SUBSECTION 524.06



**TYPICAL CONCRETE CONSTRUCTION JOINT**

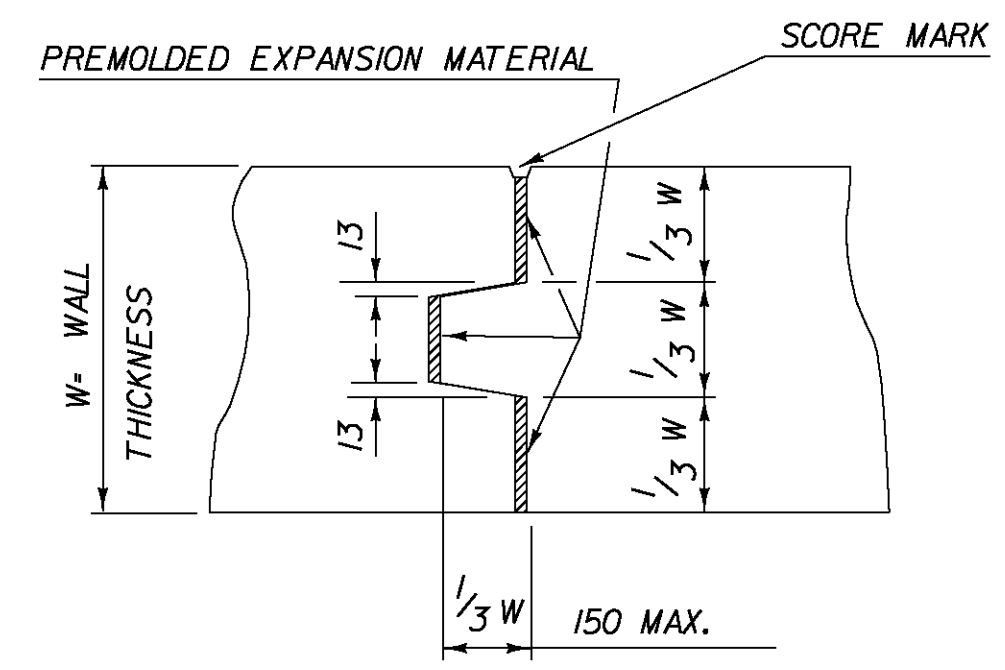


**PLAN DRIP PLATE**

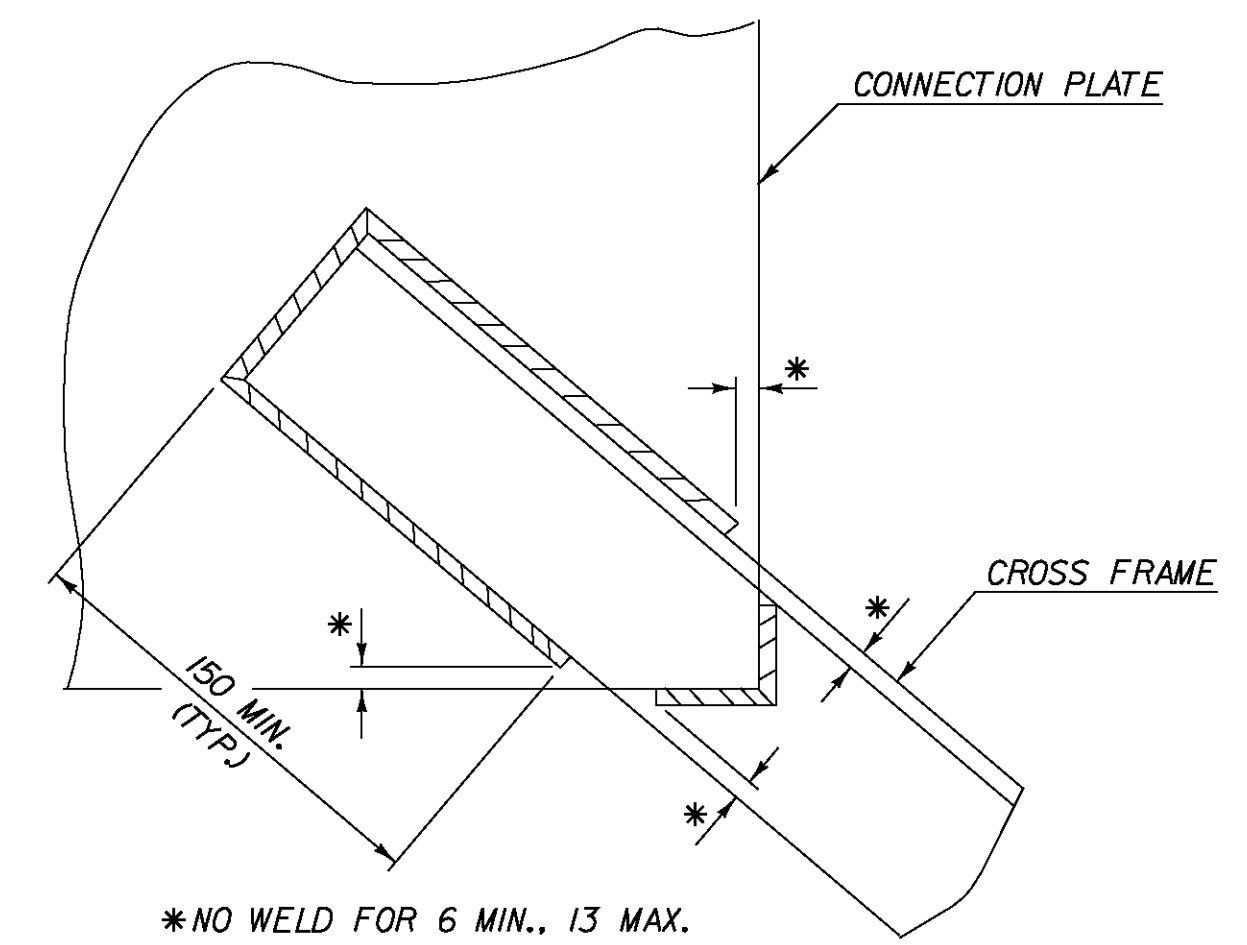


**SECTION A-A**

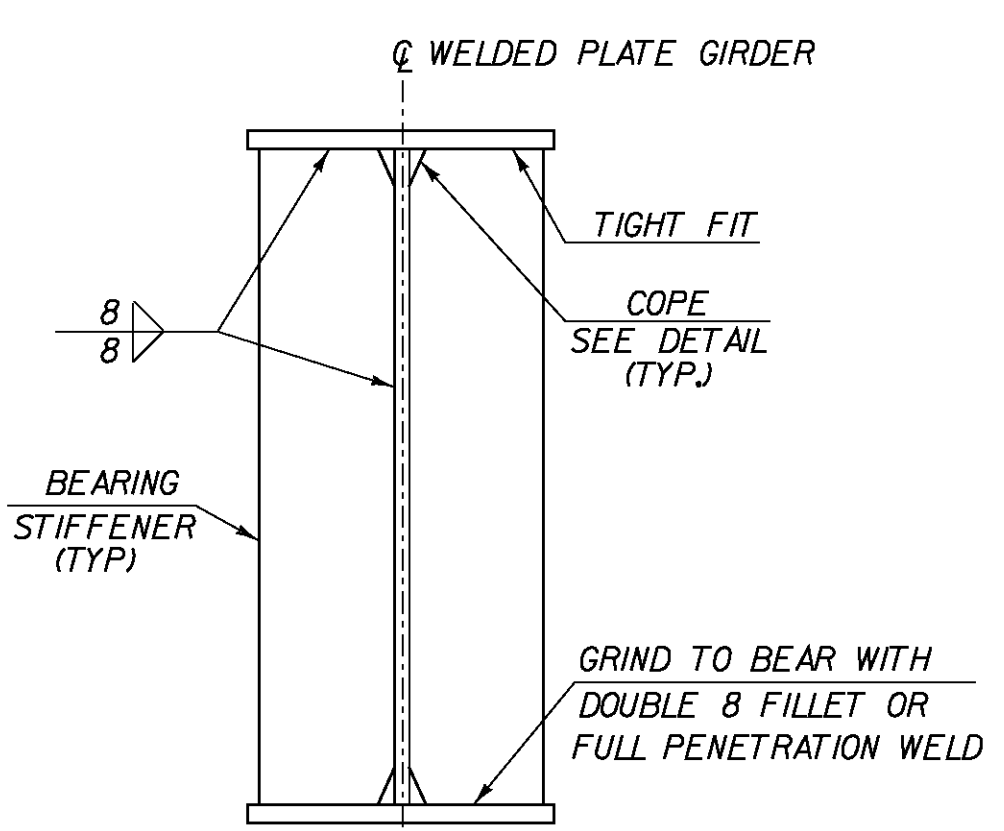
NOTE: DRIP PLATES SHALL BE PLACED ON OUTSIDE EDGE OF FASCIA GIRDERS ON THE HIGH SIDE OF ALL PIERS AND ABUTMENTS OR AS INDICATED ON PROJECT PLANS.



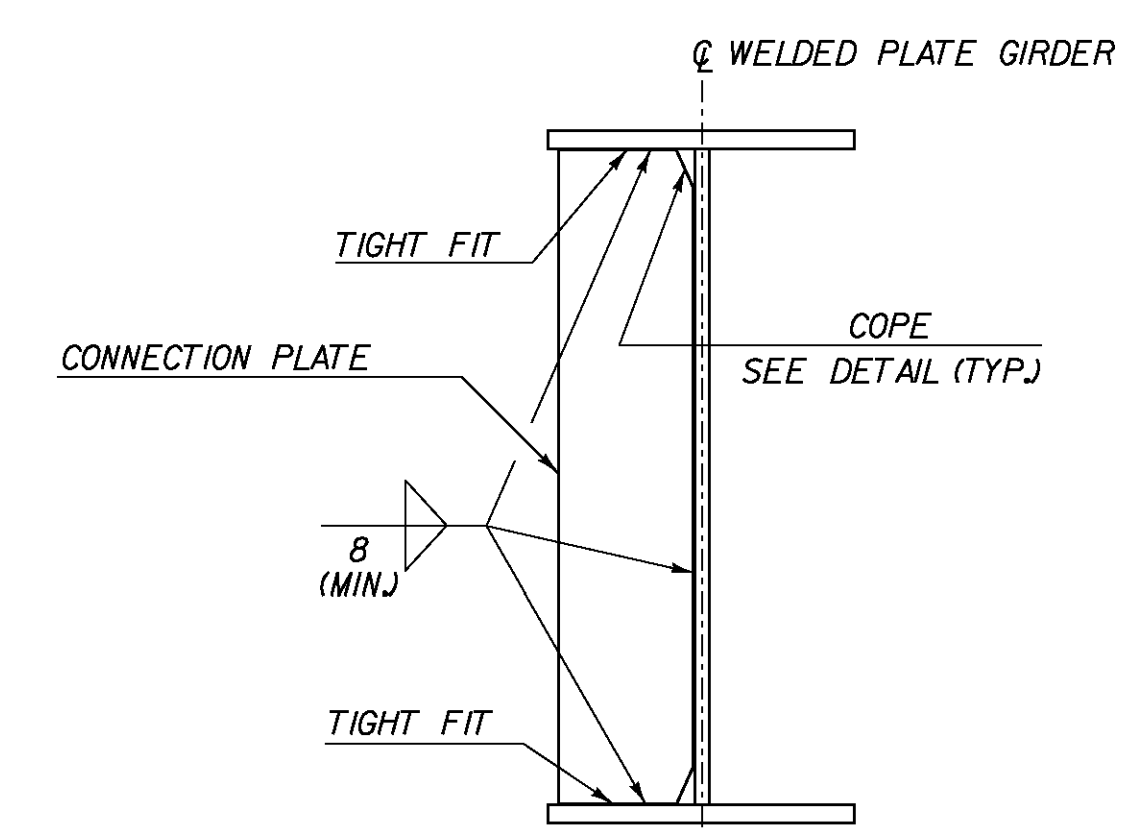
**TYPICAL CONCRETE EXPANSION JOINT**



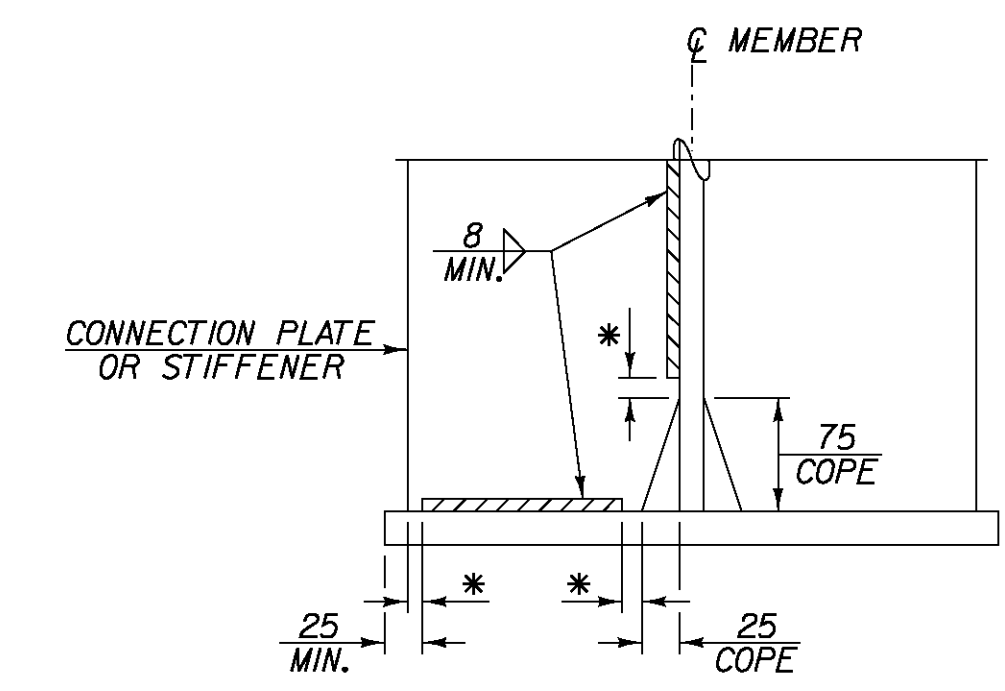
**WELD LOCATION DETAIL AT CROSS FRAMES**  
\*NO WELD FOR 6 MIN., 13 MAX.



**BEARING STIFFENERS FOR WELDED PLATE GIRDERS**  
NOT TO SCALE



**INTERMEDIATE CONNECTION PLATES FOR WELDED PLATE GIRDERS**  
NOT TO SCALE



**WELD TERMINATION AND COPING DETAIL FOR STEEL MEMBERS**

\* NO WELD FOR 10 MIN., 22. MAX. (EXCEPT MUST MAINTAIN 25 MIN. FROM EDGE OF FLANGE)

**STATE OF VERMONT AGENCY OF TRANSPORTATION**

Town Of	BENNINGTON	Bridge No.	B11
Highway No.	TH 5	Log Sta.	
		Surv. Sta.	
<b>EAST ROAD OVER VT ROUTE 279</b>			
<b>MISCELLANEOUS DETAILS</b>			
Designed By	S. BURBANK	Drawn By	J. SOTER
Checked By	Date	Bridge Design Supervisor	
S. BURBANK	03/06	G. BOGUE	Date 03/07
PROJECT	BENNINGTON	PROJECT NO.	AC NH 019-1(53)
Dgn:	...Design\ER\ER-MiscD.dgn	Plot Date:	5/25/2011
Bridge Sheet No.	BR622	Sheet	269 of 577