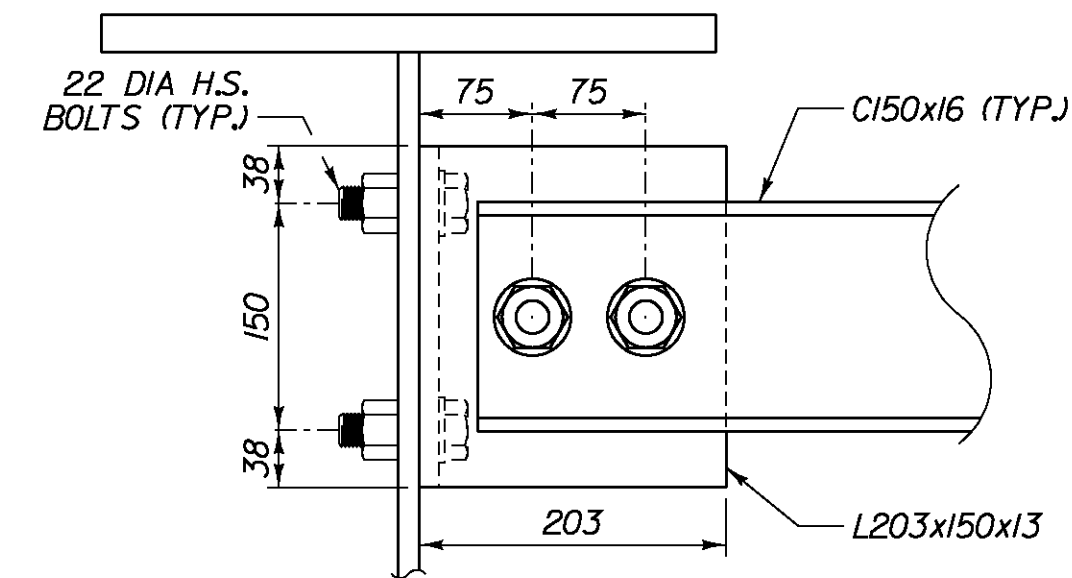


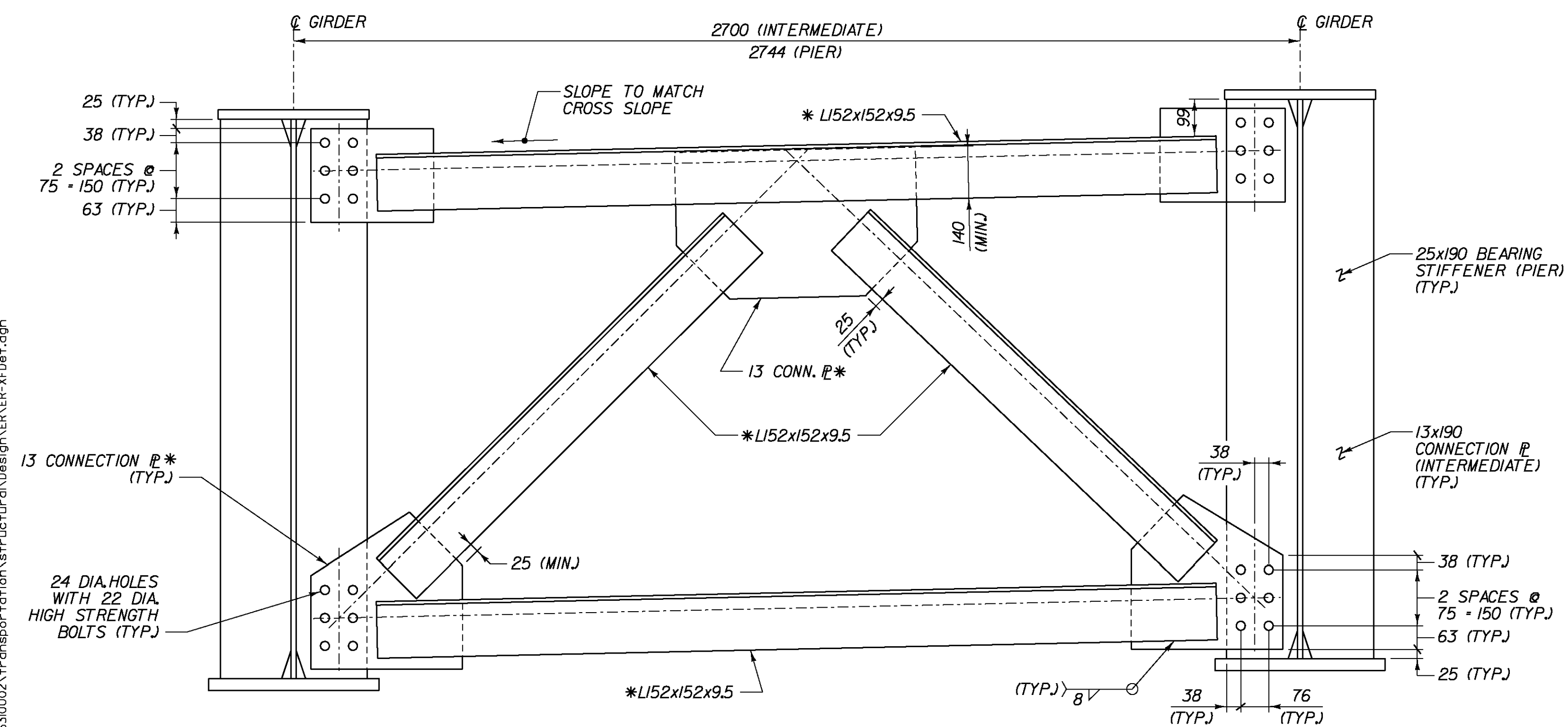
NOTE: SEE WELD LOCATION DETAIL AT CROSS FRAMES ON SHEET BR622.

ABUTMENT CROSSFRAME
SCALE 1/10

*CHARTY V-NOTCH TESTING REQUIRED

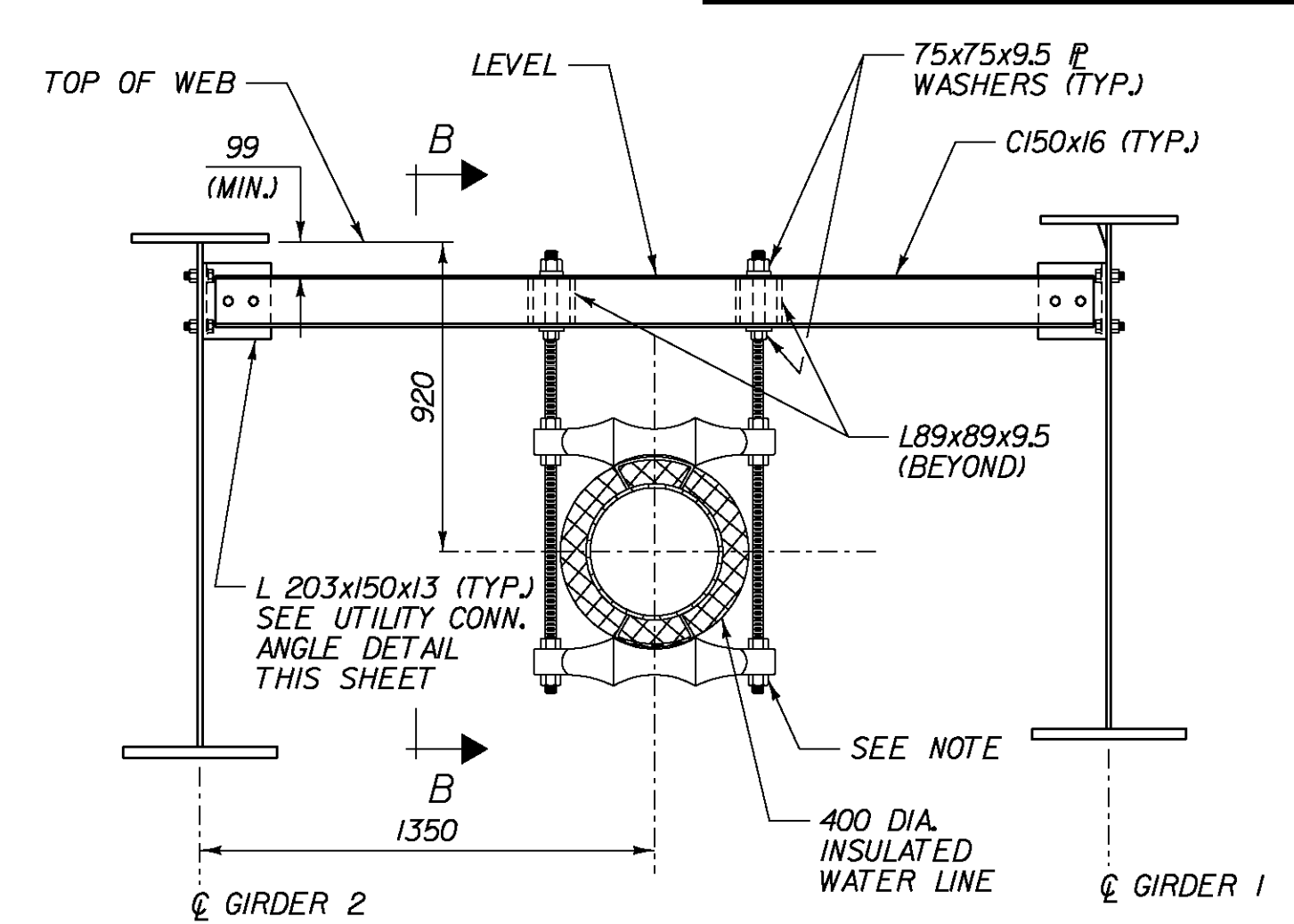
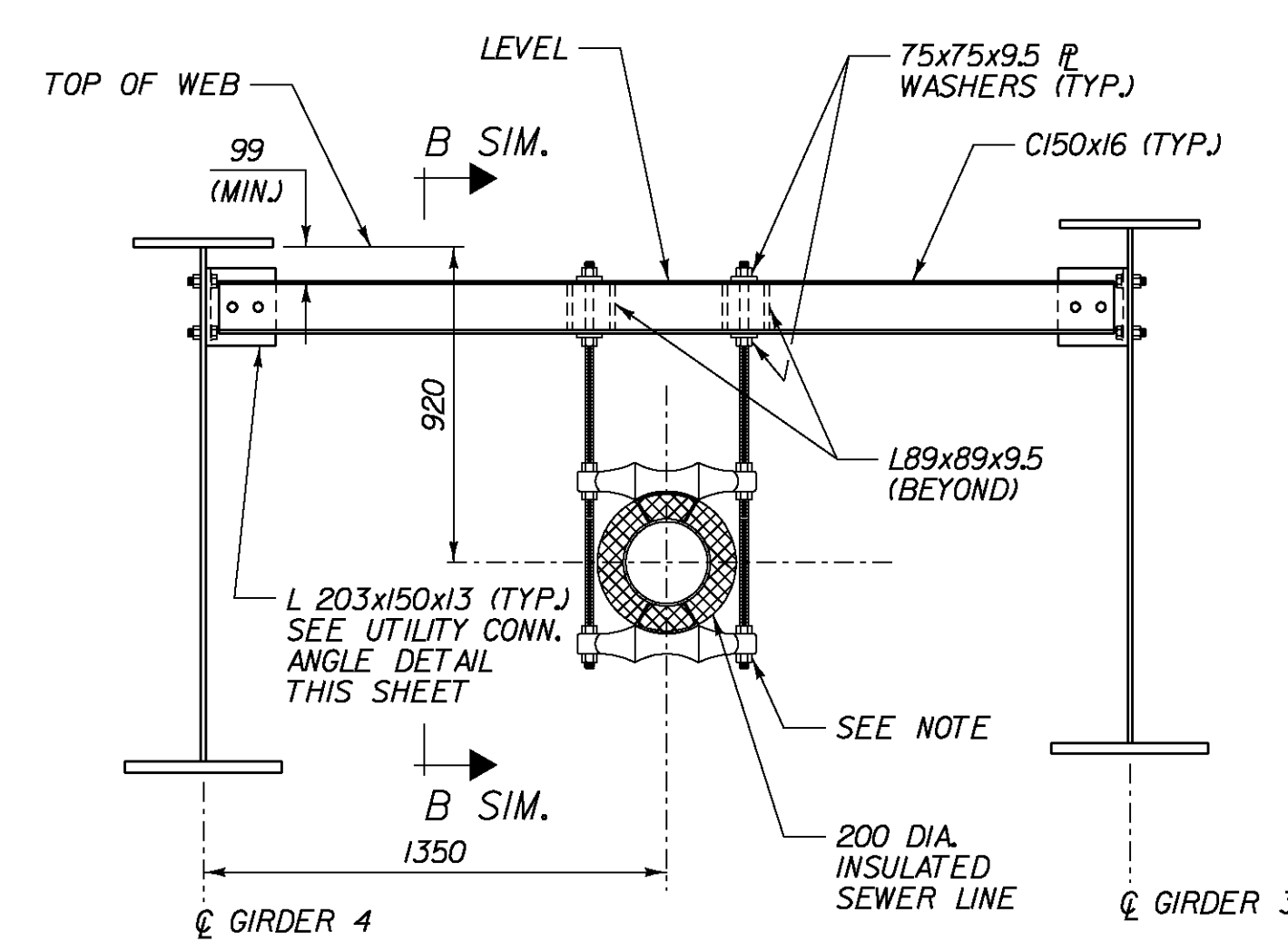


UTILITY CONNECTION ANGLE DETAIL
SCALE 1/5



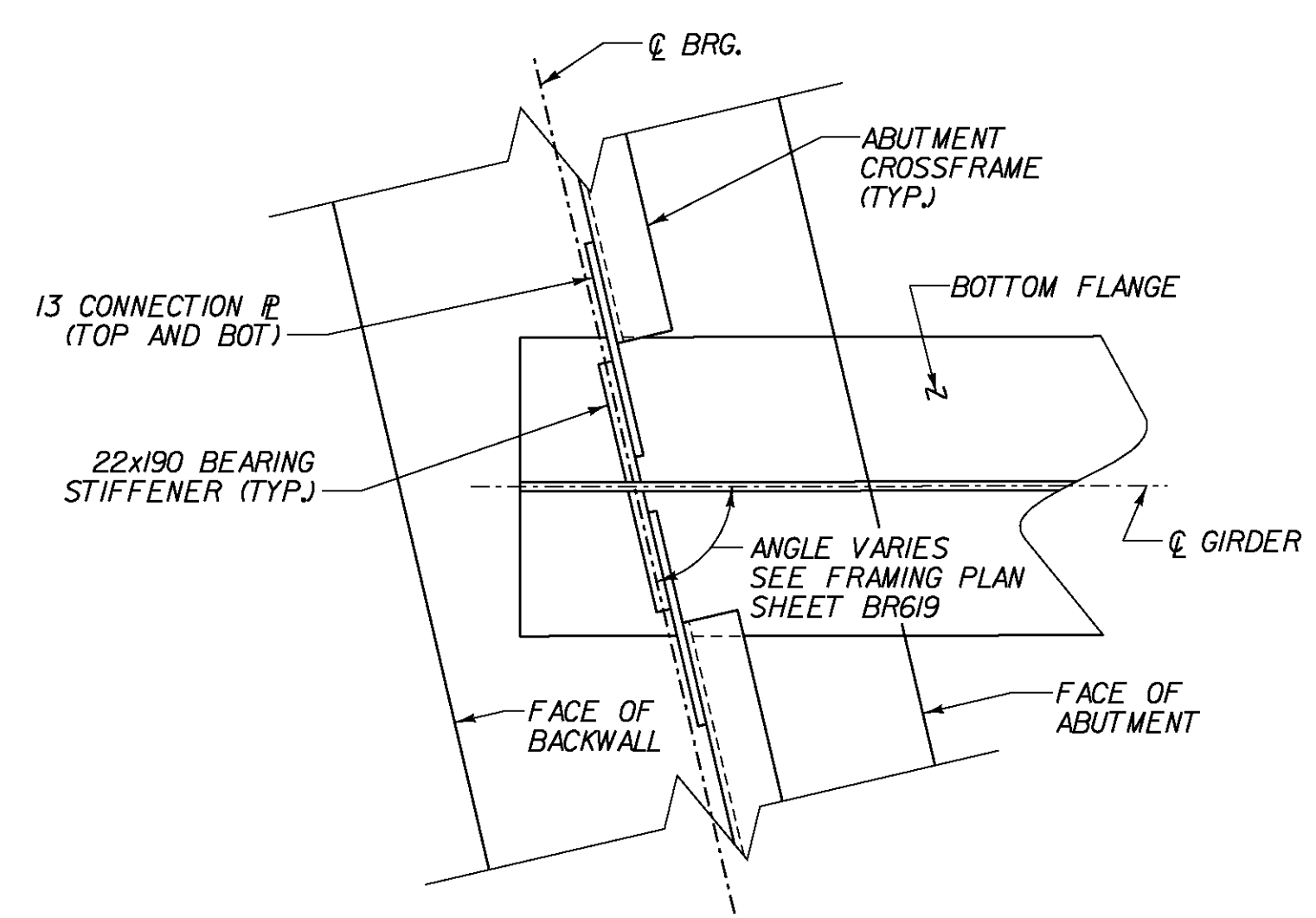
NOTE: SEE WELD LOCATION DETAIL AT CROSS FRAMES ON SHEET BR622.

INTERMEDIATE AND PIER CROSSFRAME
SCALE 1/10



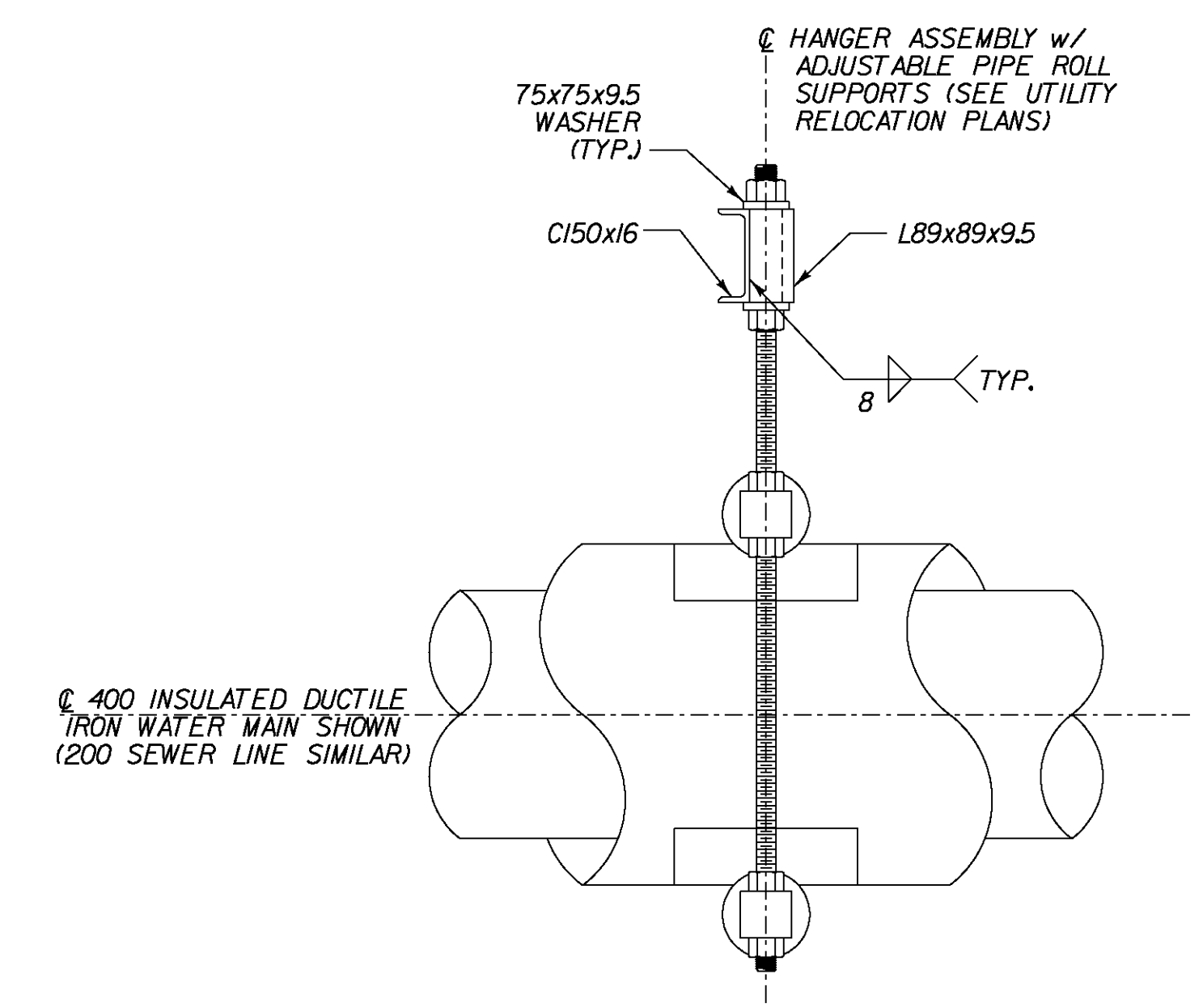
UTILITY SUPPORT DETAILS
SCALE 1/20

NOTE:
INSULATED WATER AND SEWER LINES, INCLUDING PIPE ROLLERS, HANGER RODS, NUTS AND WASHERS, TO BE PAID FOR UNDER UTILITY ITEMS (SEE UTILITY PLANS U-02, U-03 AND U-06). STEEL SUPPORTS TO BE PAID FOR UNDER ITEM 506.56 STRUCTURAL STEEL, CURVED PLATE GIRDER (EAST ROAD).

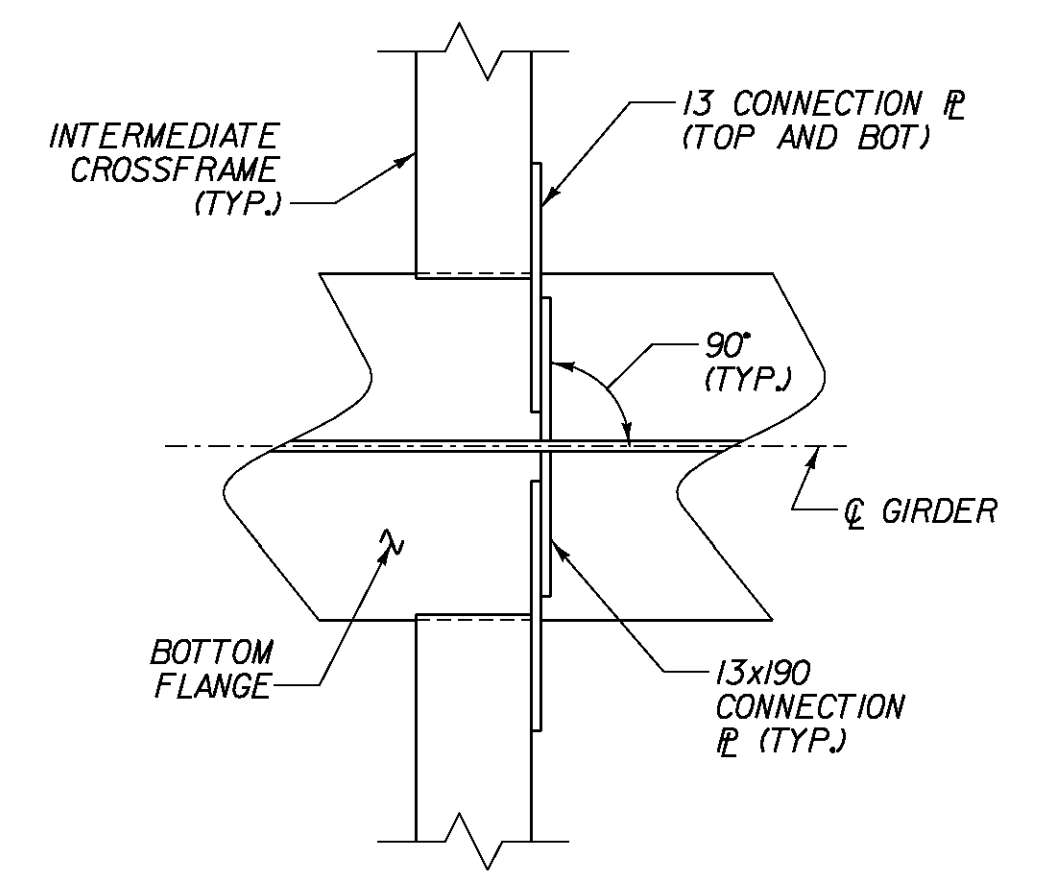


NOTE: PIER AND ABUTMENT 2 SIMILAR

ABUTMENT 1 CROSSFRAME CONNECTION
SCALE 1/10



SECTION B-B
SCALE 1/10



INTERMEDIATE CROSSFRAME CONNECTION
SCALE 1/10

STATE OF VERMONT AGENCY OF TRANSPORTATION

| | | | |
|------------------------------------|---------------------------|--------------------------|-----------------|
| Town Of | BENNINGTON | Bridge No. | B11 |
| Highway No. | TH 5 | Log Sta. | |
| | | Surv. Sta. | |
| EAST ROAD OVER VT ROUTE 279 | | | |
| CROSSFRAME DETAILS | | | |
| Designed By | G. BOGUE | Drawn By | S. BURBANK |
| Checked By | G. BOGUE | Date | 03/06 |
| | | Bridge Design Supervisor | G. BOGUE |
| | | Date | 03/07 |
| PROJECT | BENNINGTON | PROJECT NO. | AC NH 019-1(53) |
| Dgn: | ...Design\ER\ER-XFdet.dgn | Plot Date: | 5/25/2011 |
| Bridge Sheet No. | BR621 | Sheet | 268 of 577 |