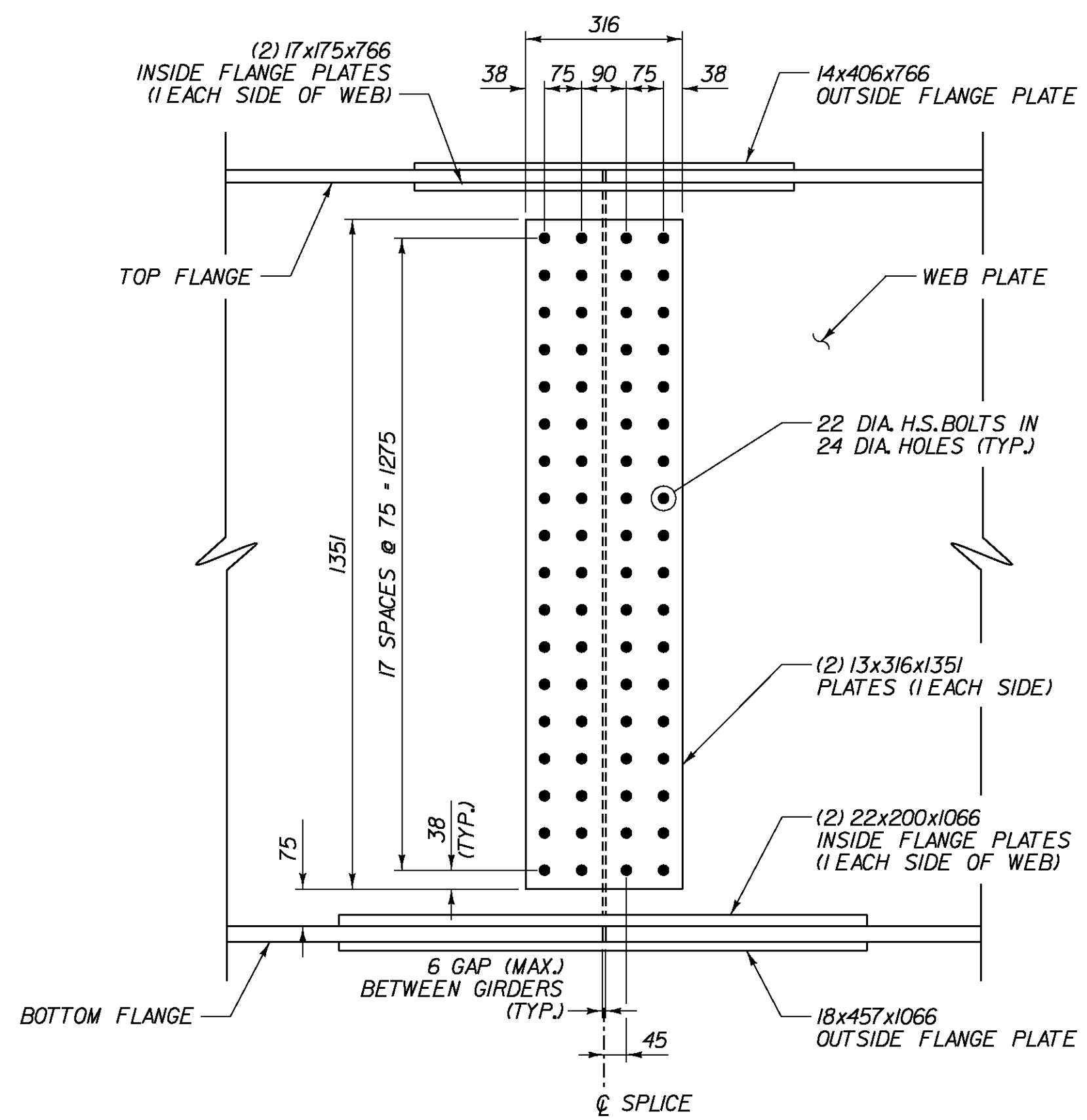
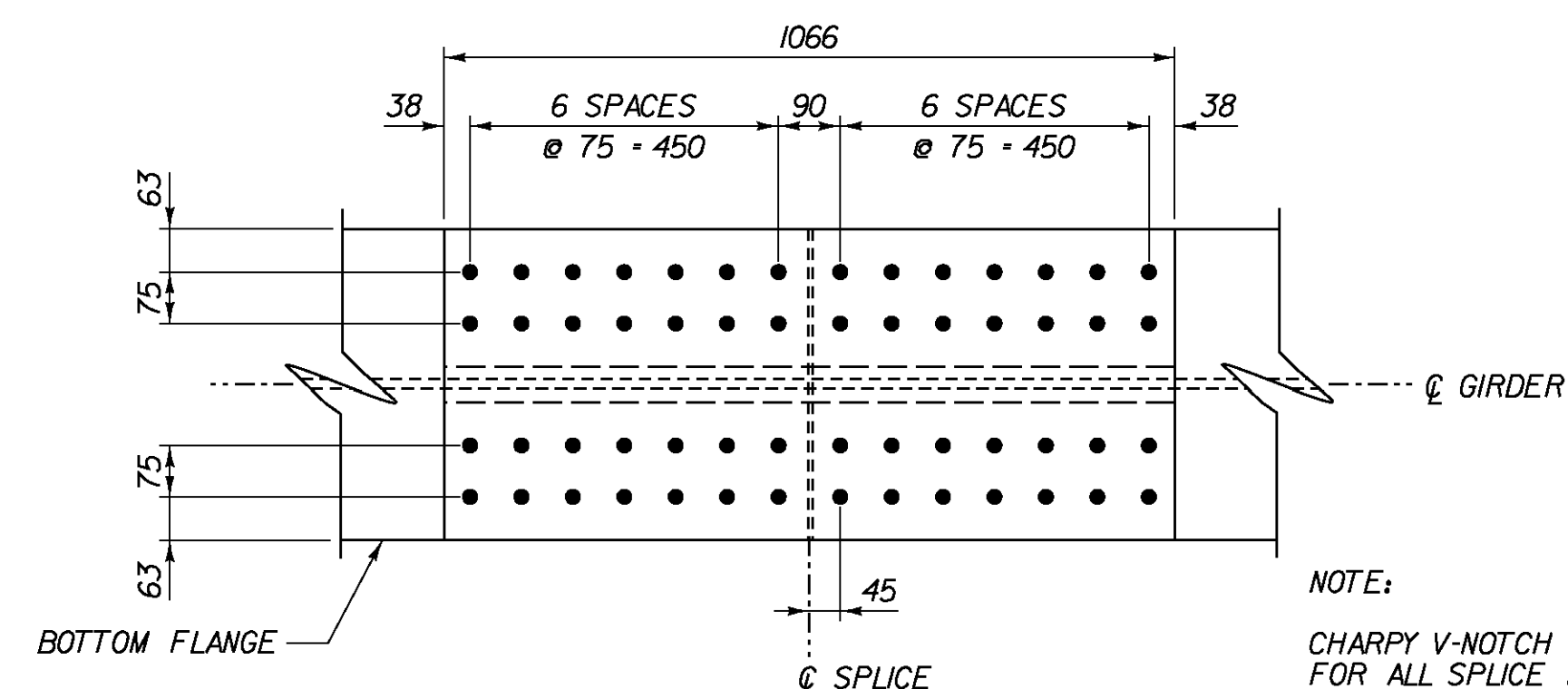


TOP FLANGE PLAN
SCALE 1/10

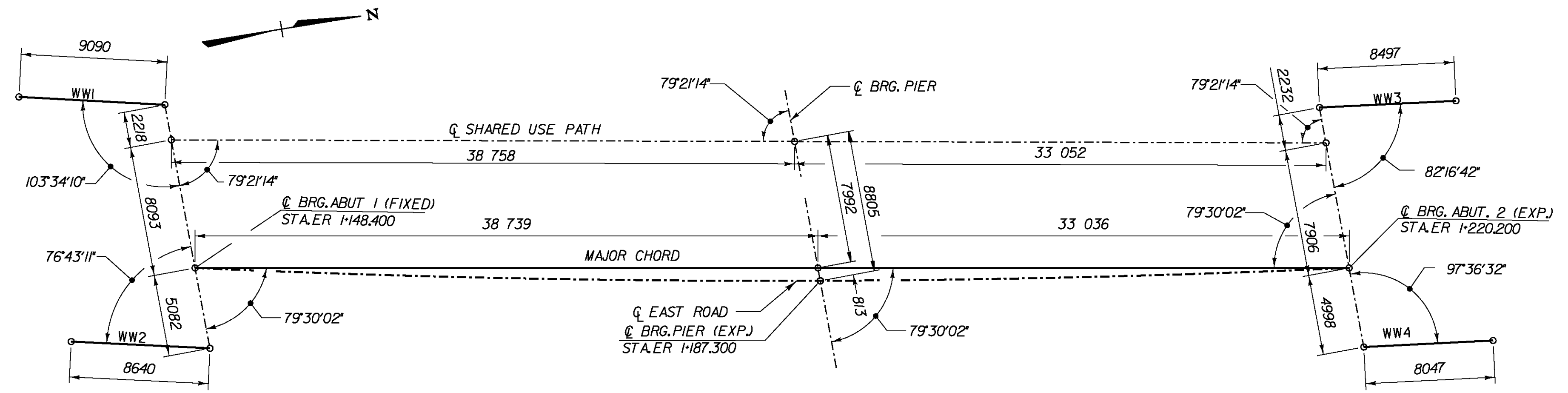


WEB ELEVATION
SCALE 1/10



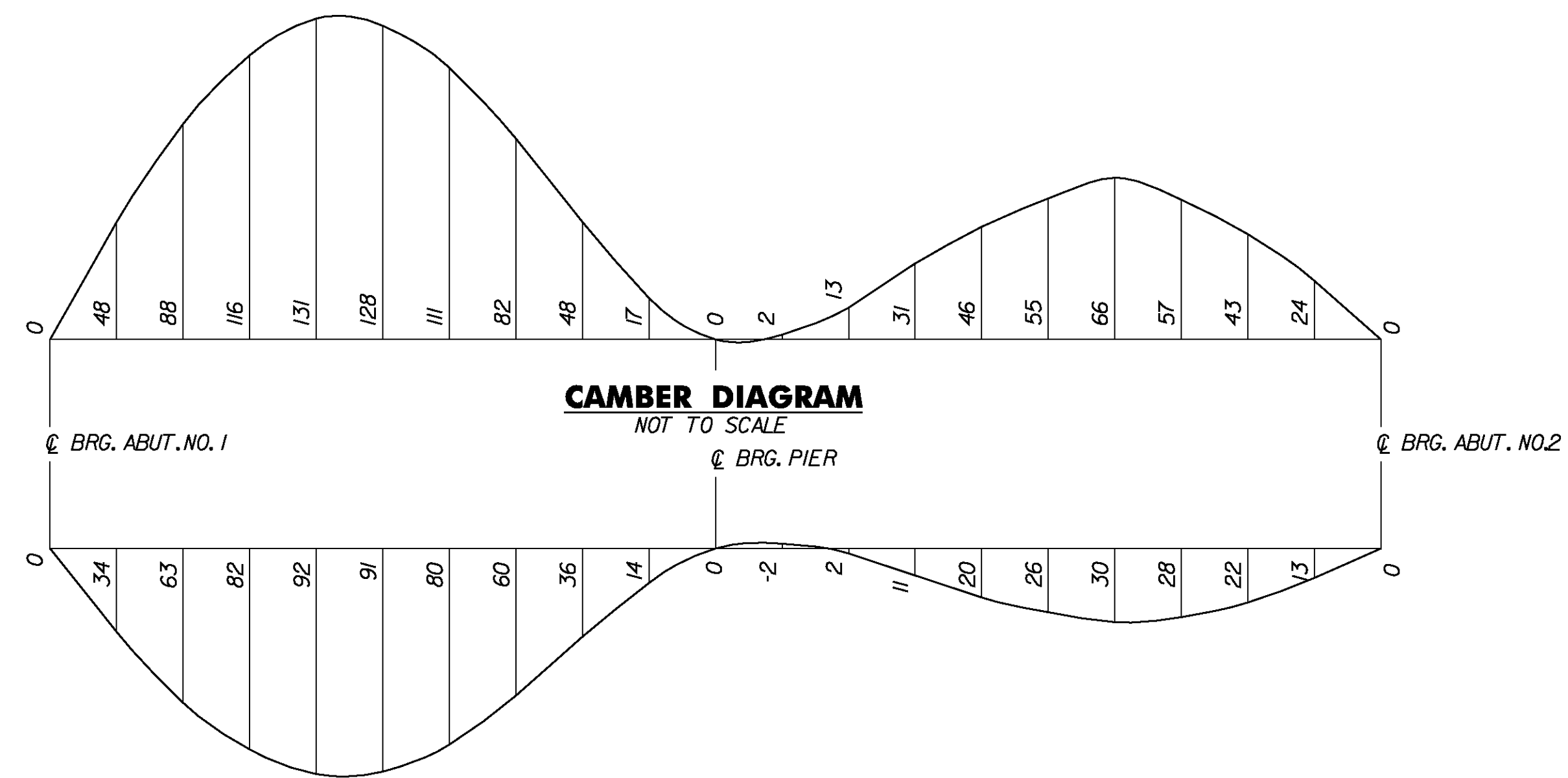
BOTTOM FLANGE PLAN
SCALE 1/10

NOTE:
CHARPY V-NOTCH REQUIRED FOR ALL SPLICE PLATES.



BRIDGE LAYOUT

SCALE 1:200



CAMBER DIAGRAM

NOT TO SCALE

DEAD LOAD DEFLECTION DIAGRAM

NOT TO SCALE

NOTES:

- CAMBER AND DEAD LOAD MEASUREMENTS ARE GIVEN IN MILLIMETERS AT SPAN TENTH POINTS.
- DEAD LOAD DEFLECTIONS SHOWN ARE FOR ALL DEAD LOADS AND SUPERIMPOSED DEAD LOADS INCLUDING BEAM AND DIAPHRAGM WEIGHTS. DESIGN DEAD LOAD DEFLECTIONS SHOWN ARE BASED ON GIRDER 2. ACTUAL DEAD LOAD DEFLECTIONS FOR OTHER GIRDERS VARY SLIGHTLY.

**STATE OF VERMONT
AGENCY OF TRANSPORTATION**

Town Of	BENNINGTON	Bridge No.	B11
Highway No.	TH 5	Log Sta.	
		Surv. Sta.	
EAST ROAD OVER VT ROUTE 279			
SPLICE DETAILS			
Designed By	G. BOGUE	Drawn By	J. SOTER
Checked By	G. BOGUE	Date	04/06
		Bridge Design Supervisor	G. BOGUE
		Date	03/07
PROJECT	BENNINGTON	PROJECT NO.	AC NH 019-1(53)
Dgn:	...Design\ER\ER-Splice.dgn	Plot Date:	5/25/2011
Bridge Sheet No.	BR620	Sheet	267 of 577



VA19513\oc1\ve\95130002\Transportation\Structure\Design\ER\ER-Splice.dgn