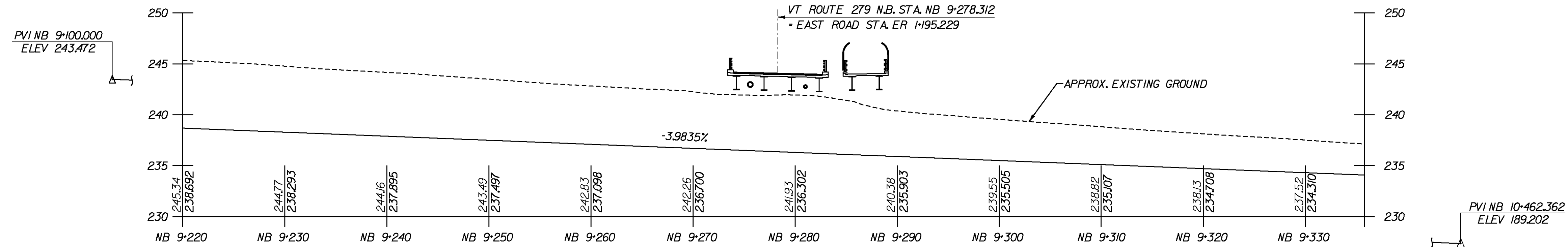
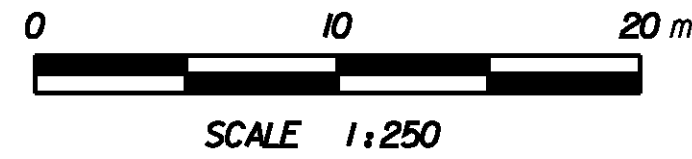
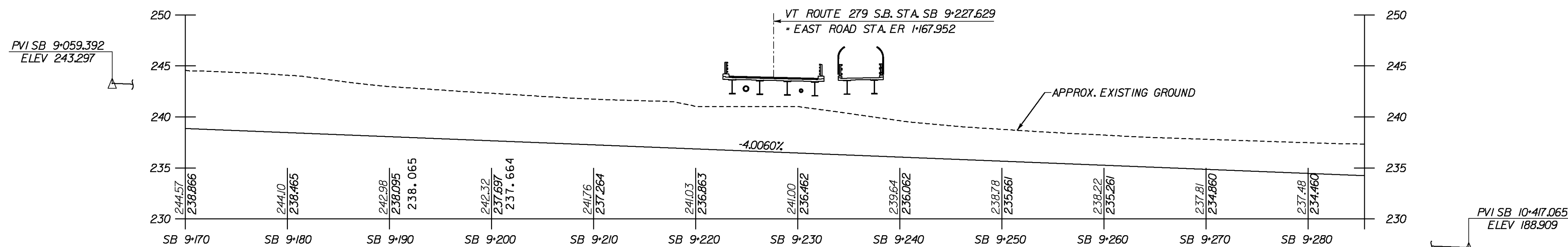
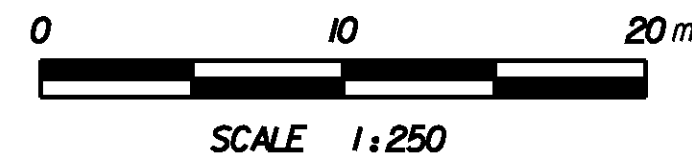


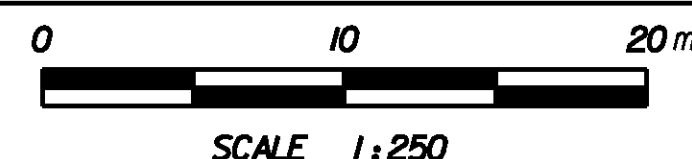
CROSSOVER PROFILE (XO)



VT ROUTE 279 N.B. PROFILE



FUTURE VT ROUTE 279 S.B. PROFILE



STATE OF VERMONT AGENCY OF TRANSPORTATION			
Town Of	BENNINGTON	Bridge No.	B11
Highway No.	TH 5	Log Sta.	
		Surv. Sta.	
EAST ROAD OVER VT ROUTE 279			
VT ROUTE 279 PROFILES			
Designed By	S. BURBANK	Drawn By	S. BURBANK
Checked By	M. CHENETTE	Bridge Design Supervisor	G. BOGUE
Date	11/04	Date	03/07
PROJECT	BENNINGTON	PROJECT NO.	AC NH 019-1(53)
Dgn:	...Design\ER\ER-279Prof.dgn	Plot Date:	5/25/2011
Bridge Sheet No.	BR615	Sheet	262 of 577



V:\953\oc1\ve\9530002\Transportation\Structure\Design\ER\ER-279P-prof.dgn