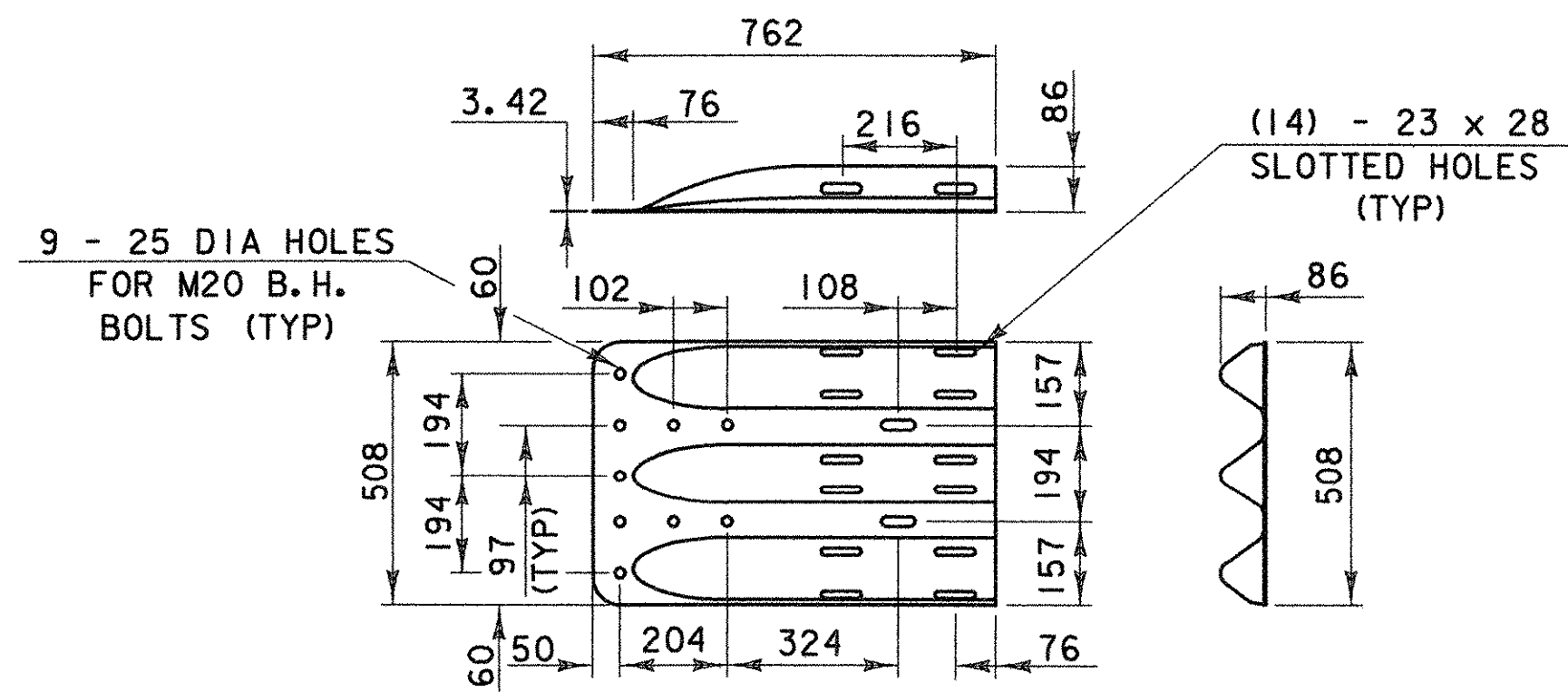
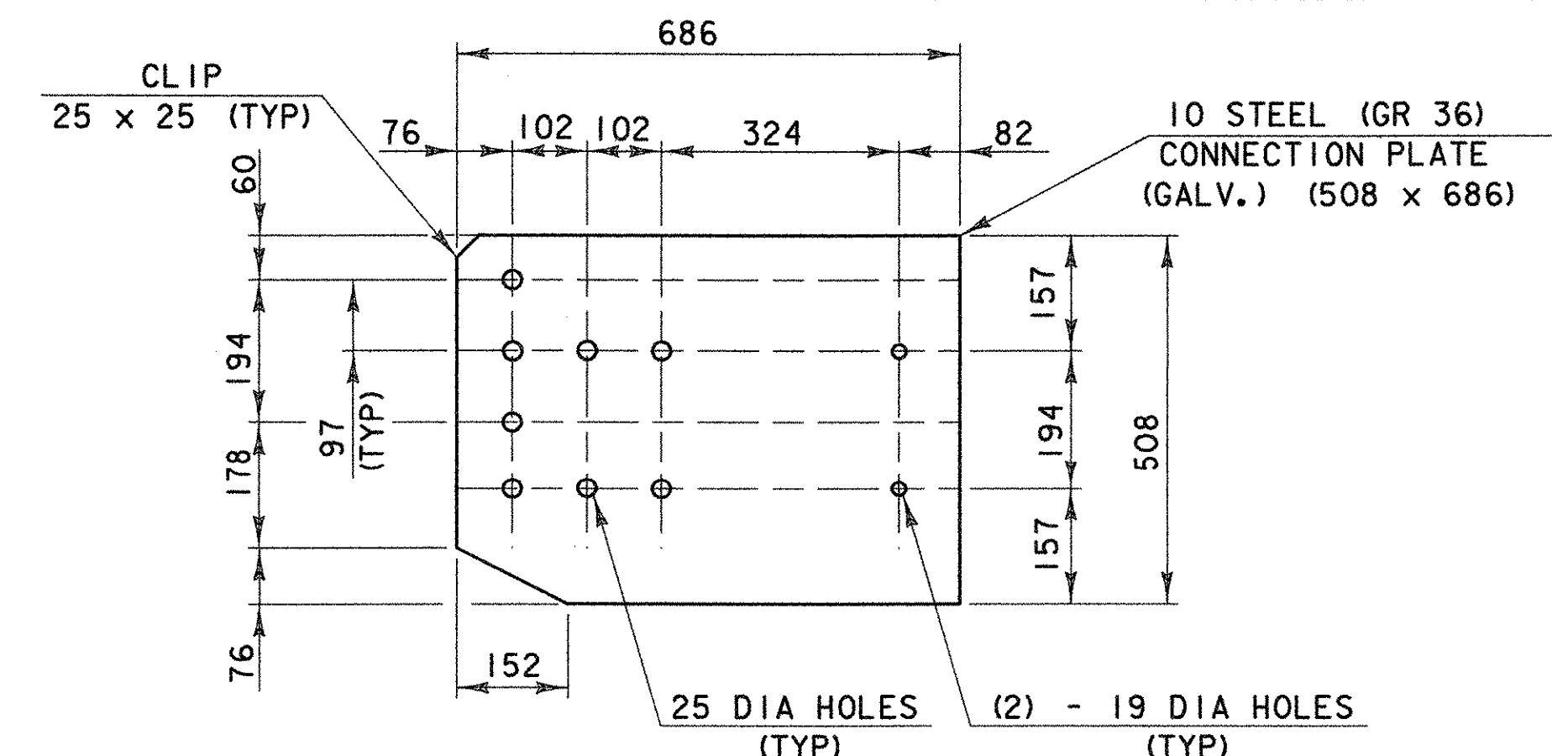


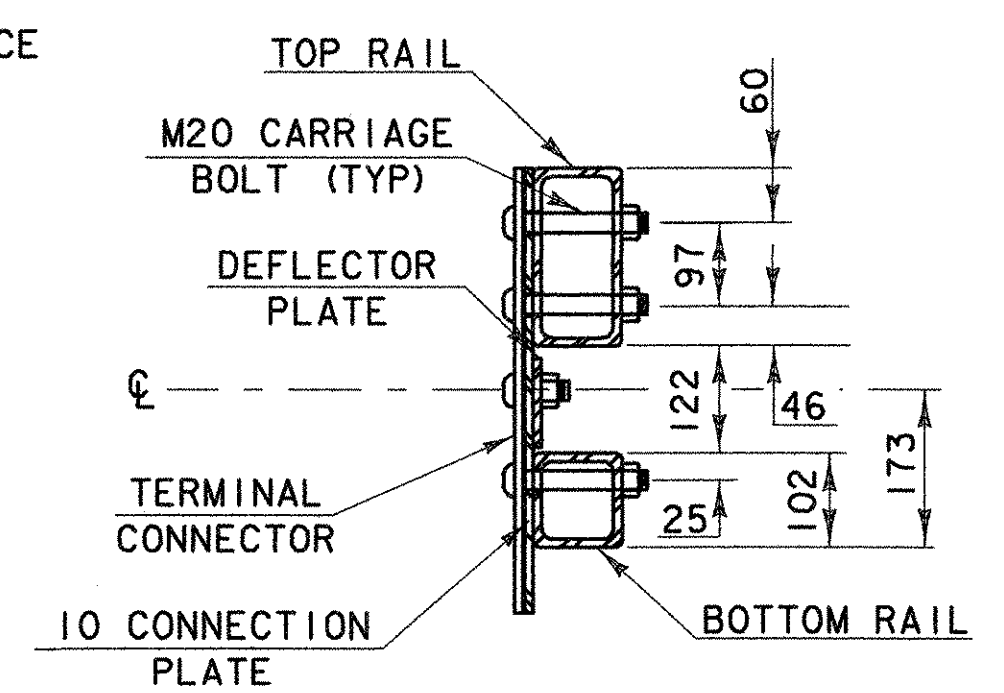
WOOD POST-RAIL ASSEMBLY



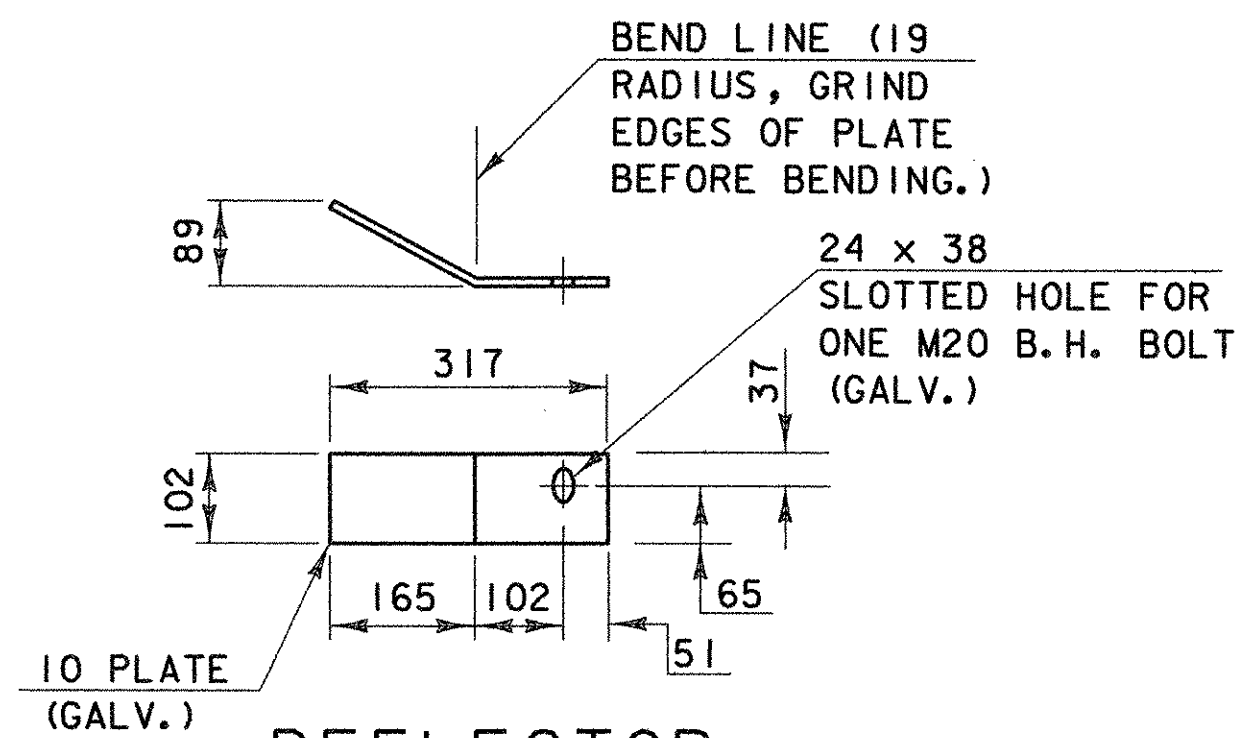
THRIE-BEAM TERMINAL CONNECTOR (HM-TF-13/RE-67)



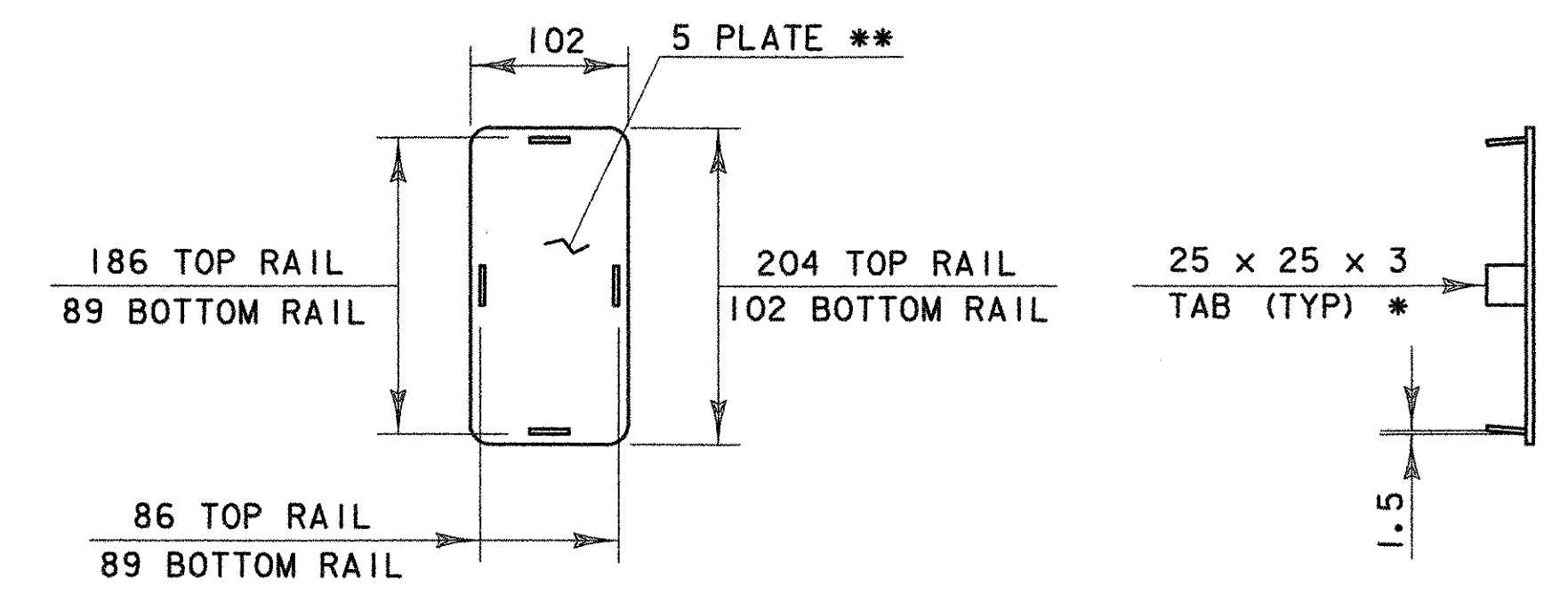
CONNECTION PLATE



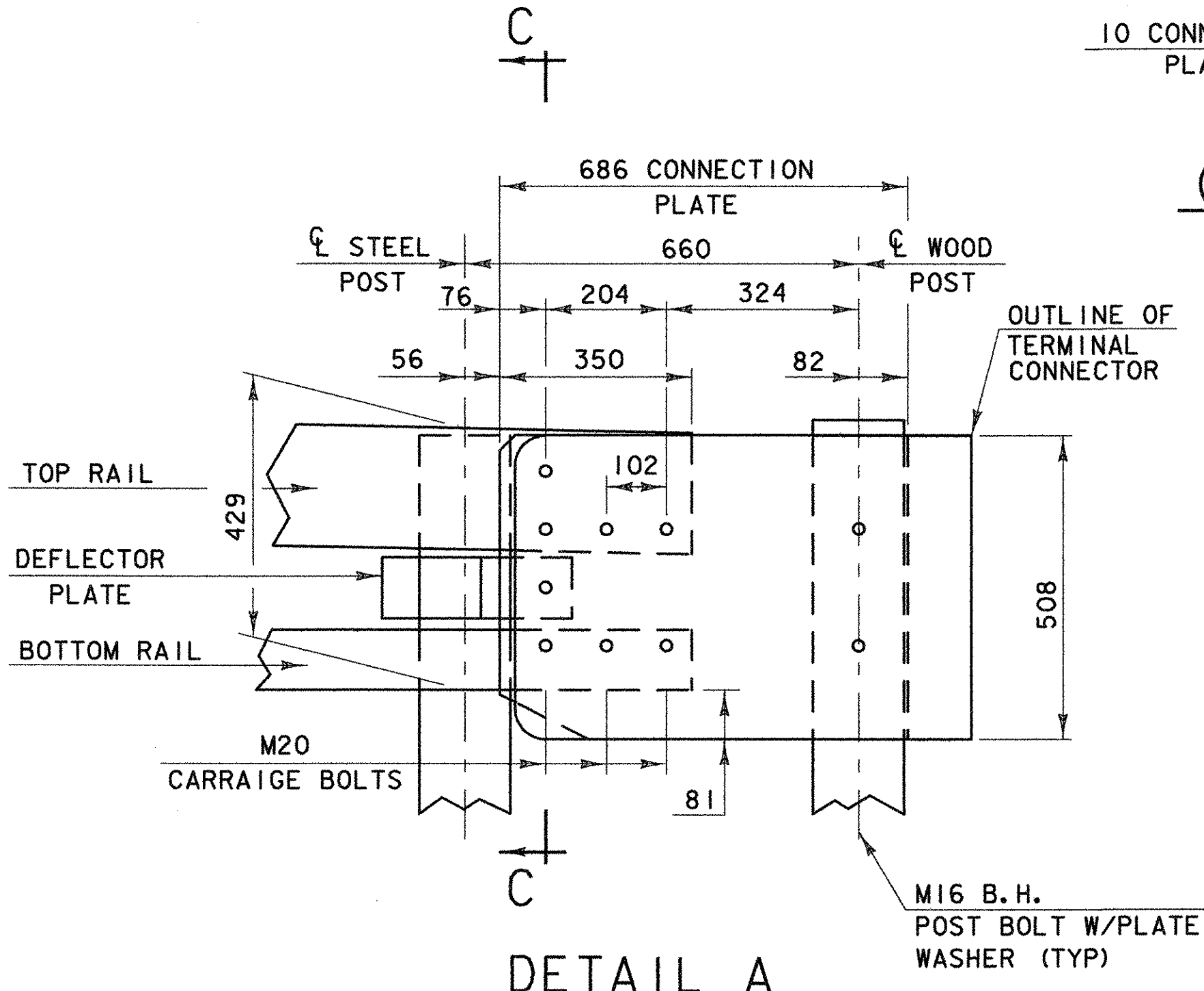
SECTION C-C (CONNECTION PLATE)



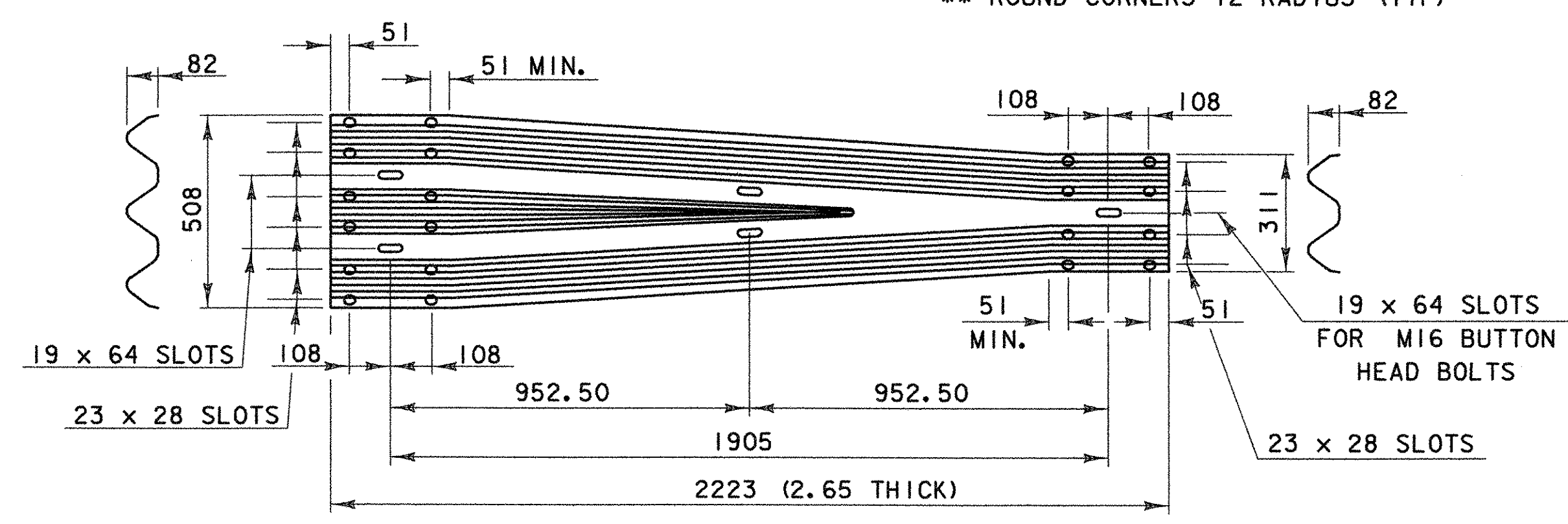
DEFLECTOR PLATE DETAIL



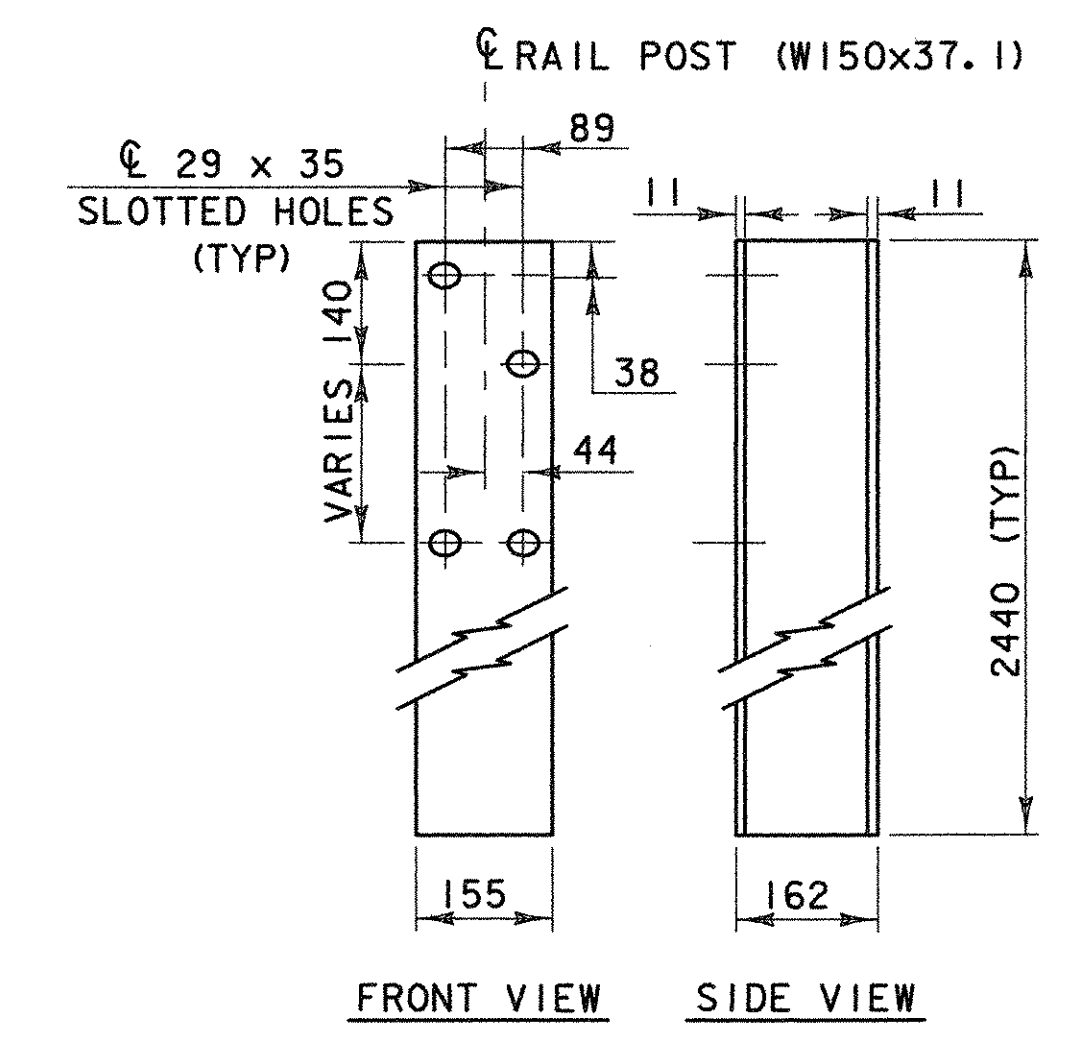
END CAP DETAIL



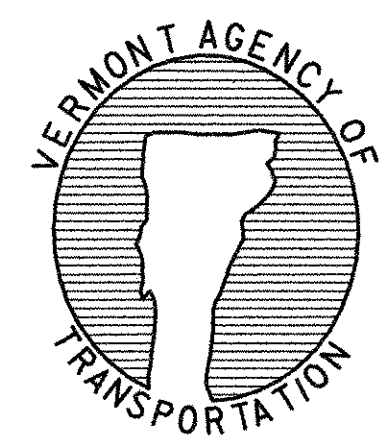
DETAIL A



THRIE-BEAM TO STD SB TRANSITION SECTION (HM-TF-13/RE-69)



RAIL POST



DETAIL BR3M

BRIDGE RAILING - NETC 2 RAIL - THRIE BEAM APPROACH RAIL

Town Of	BENNINGTON	Bridge No.	B12
Highway No.	VT RTE 279	Log Sta.	
		Surv. Sta.	
VT ROUTE 279 OVER FURNACE BROOK			
<b>BRIDGE RAILING - NETC 2 RAIL - THRIE BEAM RAIL</b>			
Designed By	VAOT	Drawn By	VAOT
Checked By	VAOT	Bridge Design Supervisor	VAOT
PROJECT	BENNINGTON	PROJECT NO.	AC NH FO19-(153)
TVGA CAD Drawing No.	FBAppGR3.dgn	Date	04/10/2007
Bridge Sheet No.	BR542	Sheet	234 of 577