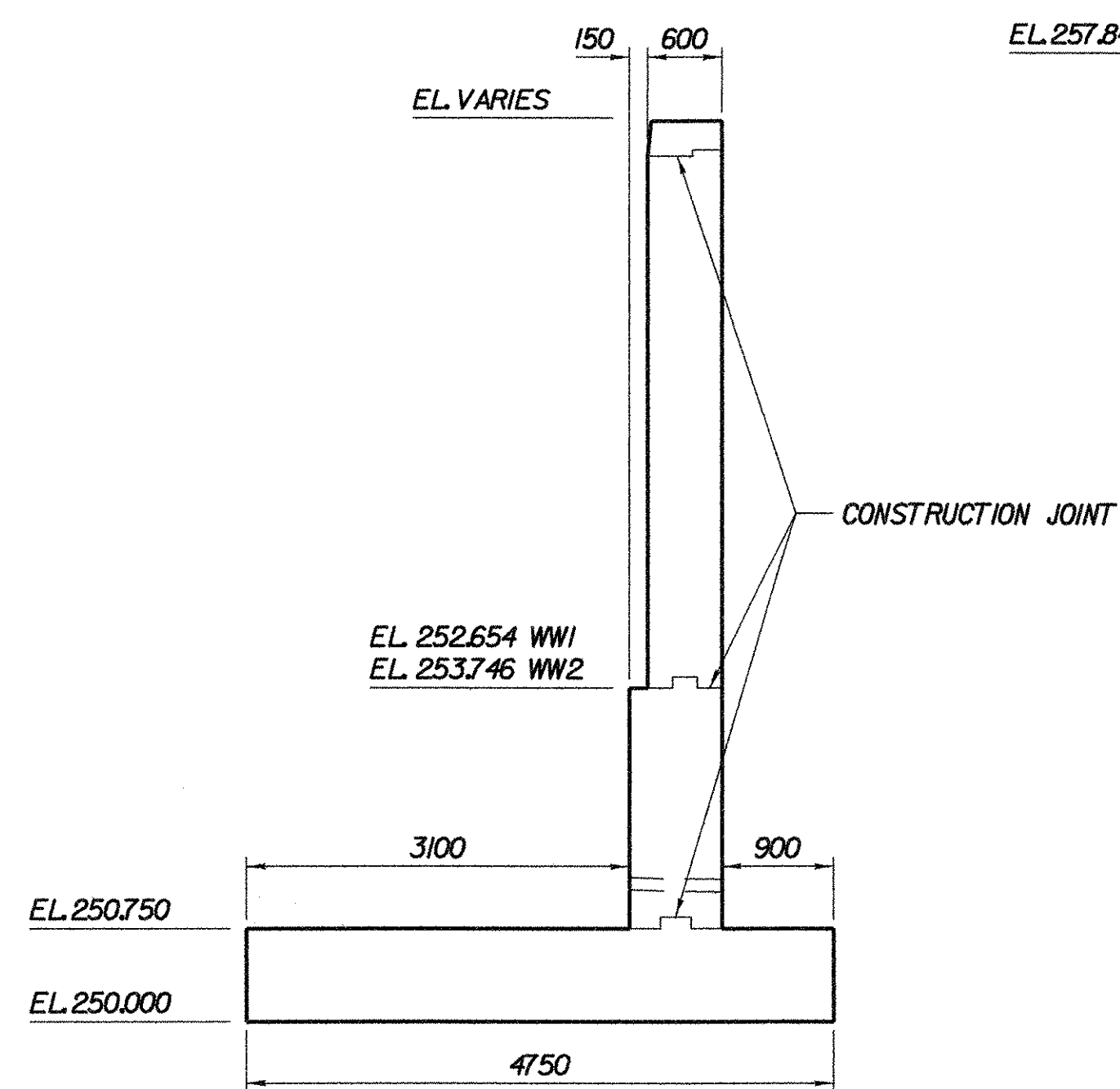
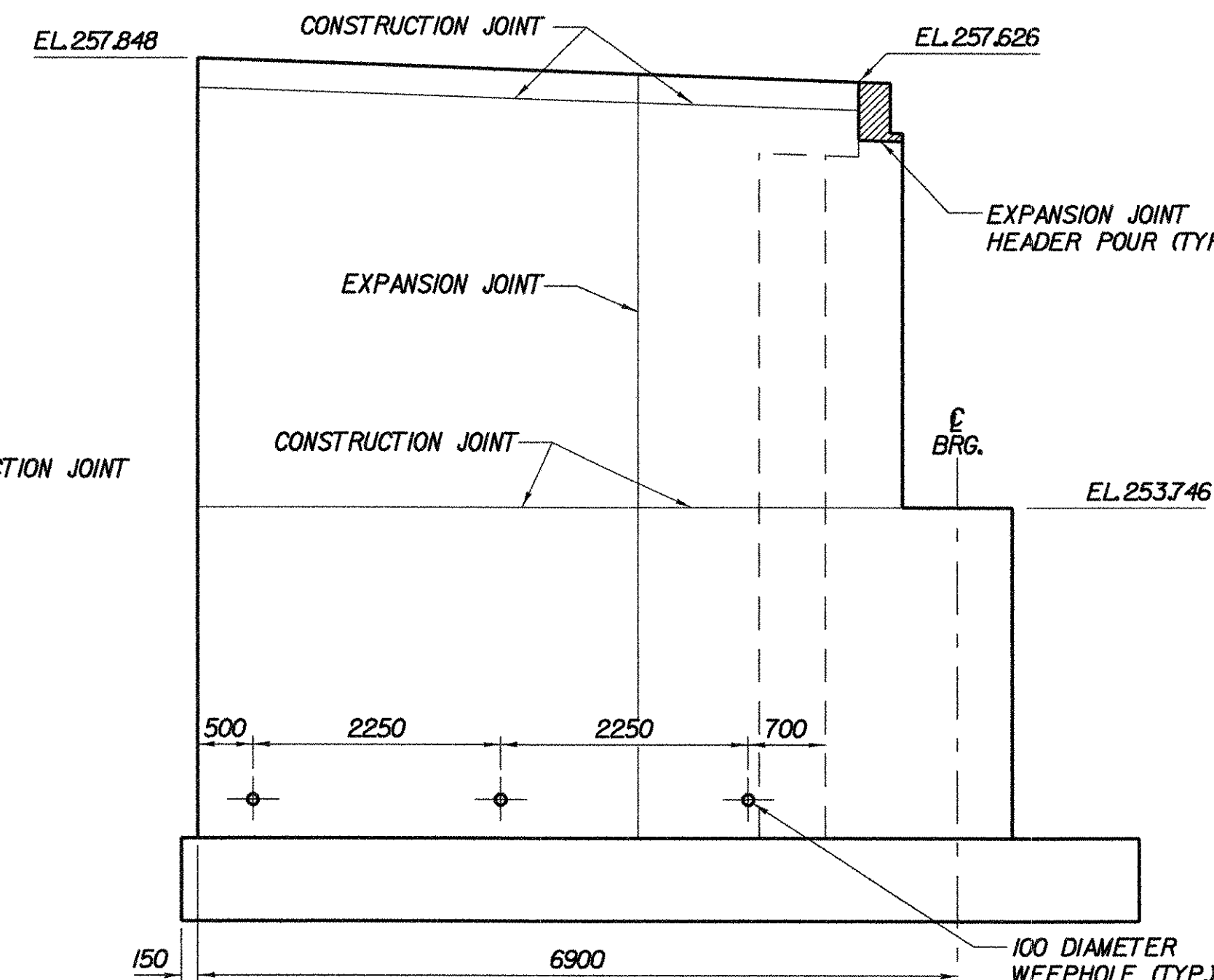


WINGWALL NO. 1 ELEVATION
SCALE 1:50

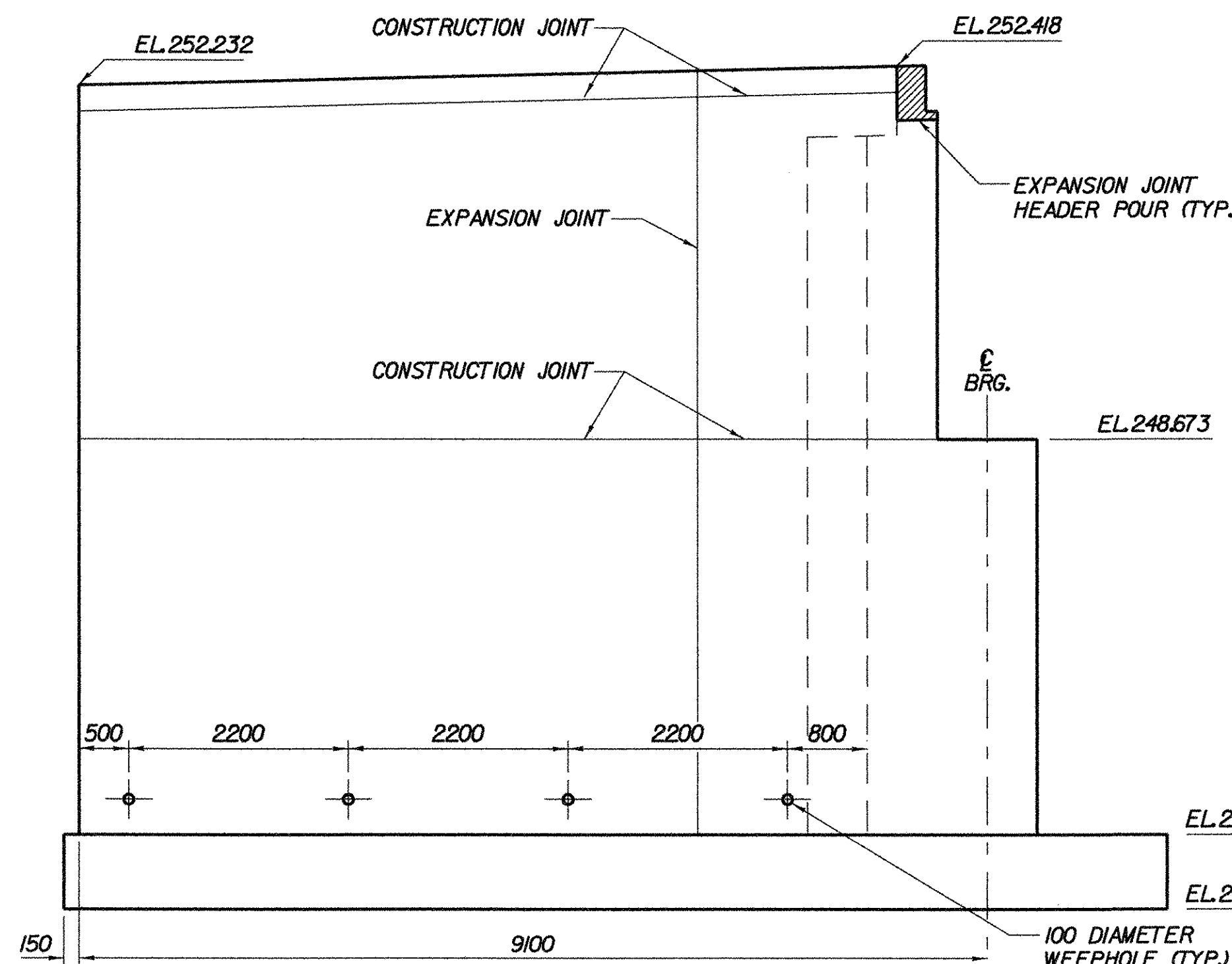


SECTION A-A
(WINGWALL 1 SHOWN, SECTION C-C, WINGWALL 2 SIMILAR)
SCALE 1:50

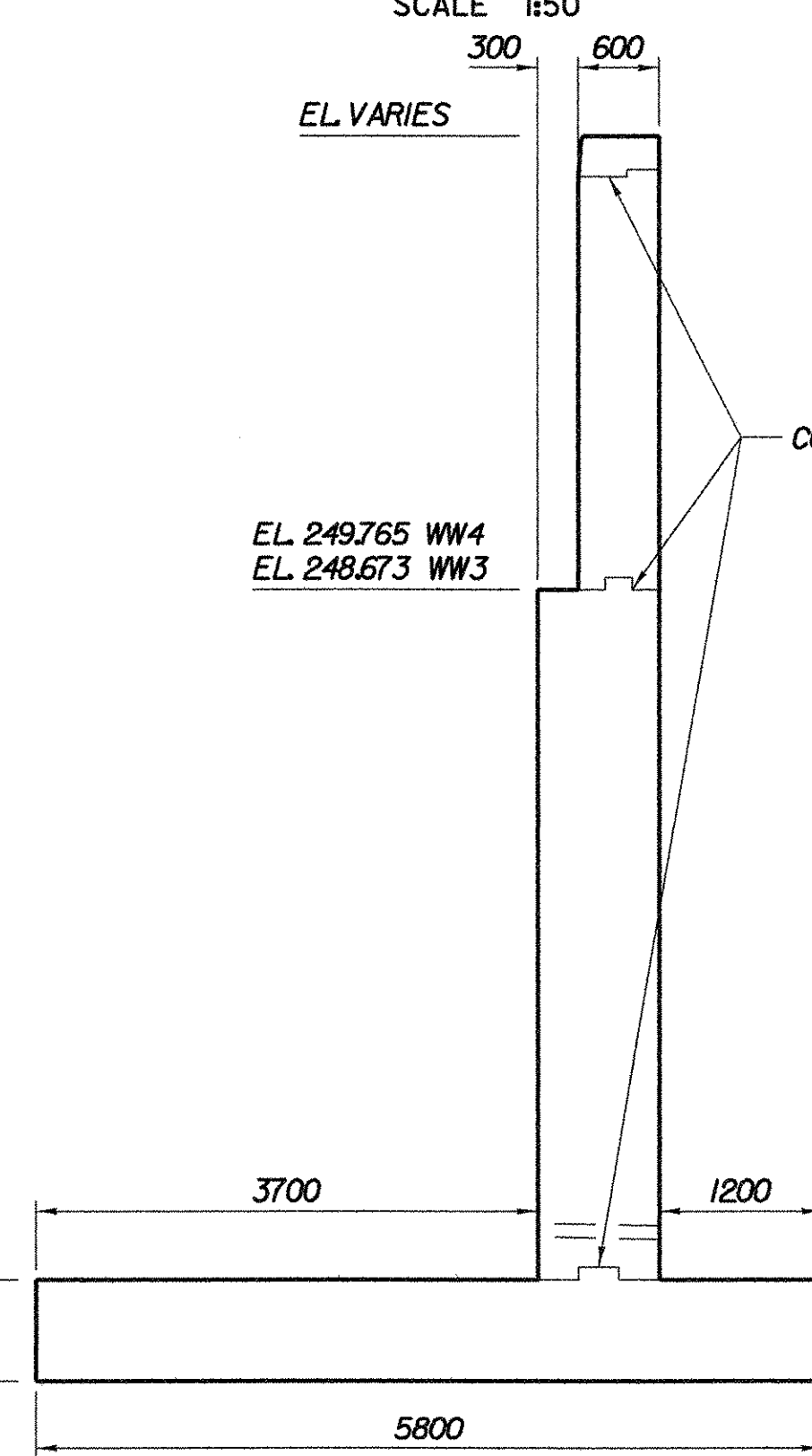


WINGWALL NO. 2 ELEVATION
SCALE 1:50

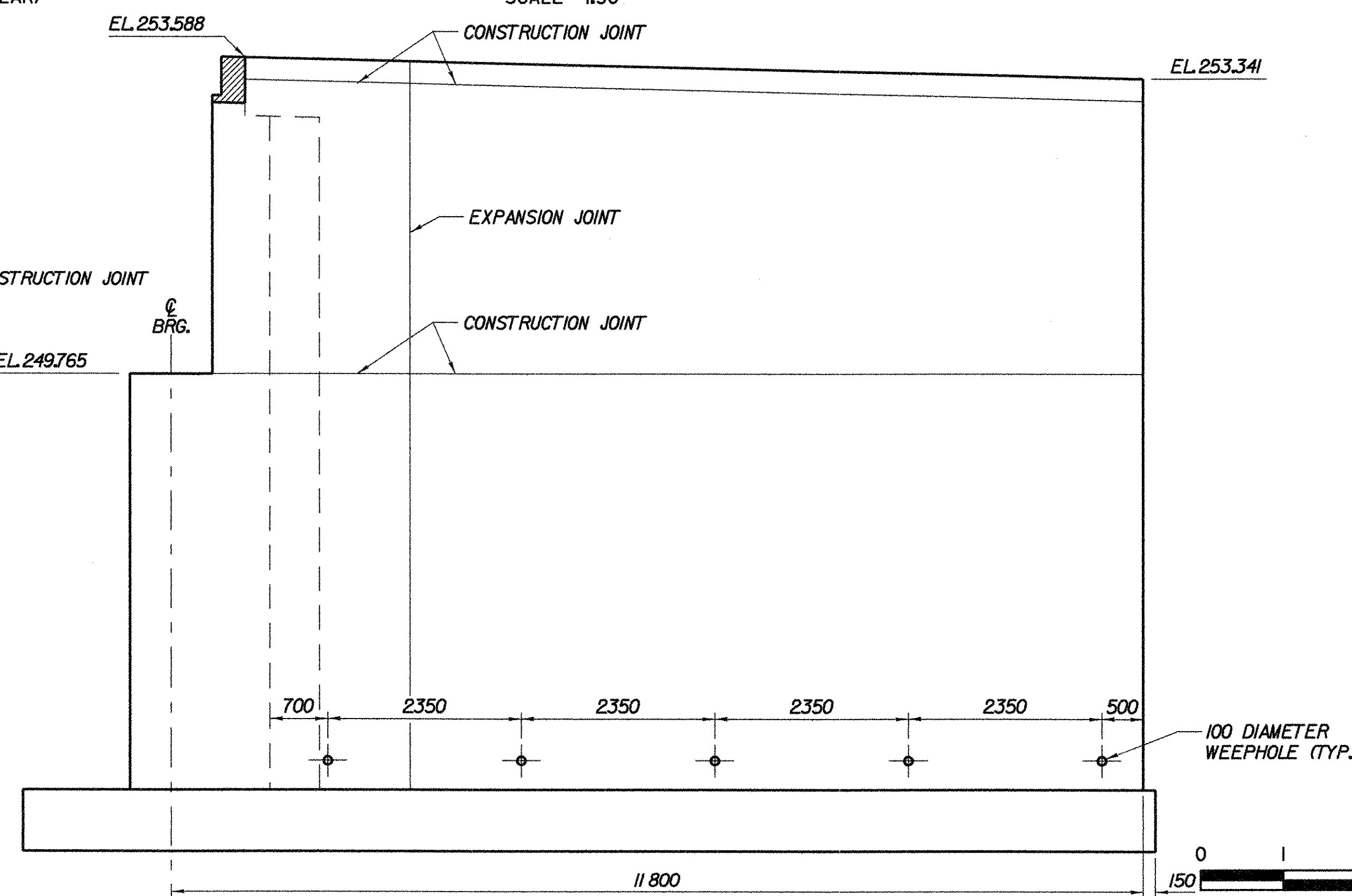
- NOTES:**
- ABUTMENT SEAT ELEVATIONS MAY HAVE TO BE ADJUSTED TO ACCOMMODATE THE ACTUAL BEARINGS FURNISHED. IT IS THE RESPONSIBILITY OF THE CONTRACTOR TO COORDINATE ANY CHANGES IN THE BEARINGS WHICH MAY AFFECT THE ABUTMENT SEAT ELEVATIONS OR DIMENSIONS.
 - NO CONCRETE SHALL BE PLACED ABOVE THE WINGWALL HORIZONTAL CONSTRUCTION JOINT UNTIL THE BEAM PROFILES HAVE BEEN TAKEN AND FINAL FINISHED GRADE OF THE DECK IS APPROVED BY THE ENGINEER.



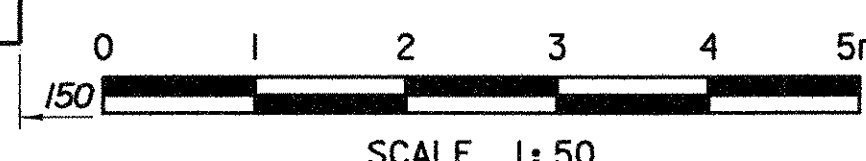
WINGWALL NO. 3 ELEVATION
SCALE 1:50



SECTION F-F
(WINGWALL 4 SHOWN, SECTION D-D, WINGWALL 3 SIMILAR)
SCALE 1:50



WINGWALL NO. 4 ELEVATION
SCALE 1:50



**STATE OF VERMONT
AGENCY OF TRANSPORTATION**

| | | | |
|---------------------------------|------------|--------------------------|----------------|
| Town Of | BENNINGTON | Bridge No. | BI2 |
| Highway No. | VT RTE 279 | Log Sta. | |
| | | Surv. Sta. | |
| VT ROUTE 279 OVER FURNACE BROOK | | | |
| WINGWALL MASONRY | | | |
| Designed By | M.D. BOWER | Drawn By | D.J. HENDERSON |
| Checked By | Date | Bridge Design Supervisor | |
| B.J. CARLSON | 04/07 | K.M. WOJTKOWSKI | Date 04/07 |
| PROJECT | BENNINGTON | PROJECT NO. | |
| | | AC NH FO19-1153 | |
| TVGA CAD Drawing No. | FBWW.dgn | Date | 04/11/2007 |
| Bridge Sheet No. | BR536 | Sheet | 228 of 577 |