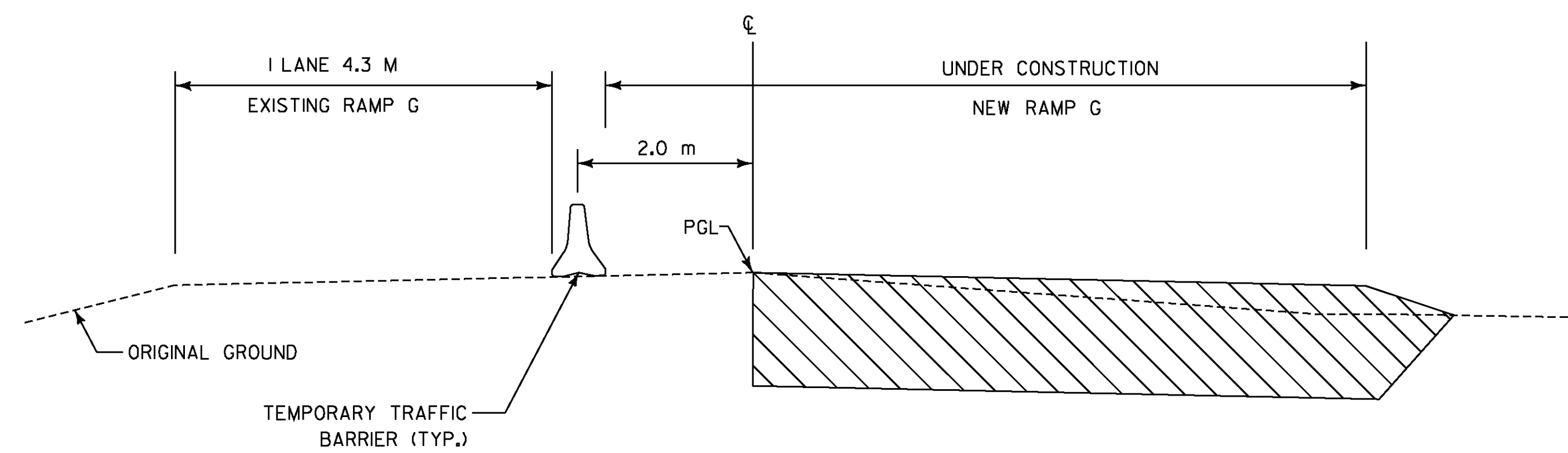
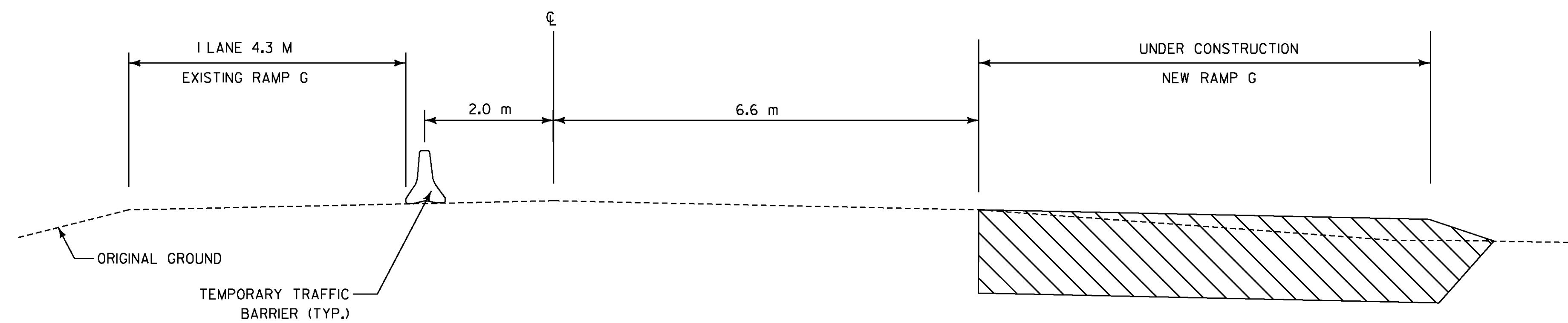


TRAFFIC CONTROL TYPICAL SECTIONS-RAMP G



STA. G 1+230 - STA. GG 1+078

TRAFFIC CONTROL TYPICAL SECTIONS-RAMP G



STA. GG 1+530 - STA. G 1+851

NOTE: ALL DIMENSIONS ARE IN MILLIMETERS (mm) EXCEPT WHERE NOTED.

PGL=PROFILE GRADE LINE

VERMONT AGENCY OF TRANSPORTATION



PROJECT NAME: BENNINGTON	DESIGNED BY: MARC FOISY	PLLOT DATE: 5/16/2011
PROJECT NUMBER: AC NH 019-(153)	DESIGN SUPERVISOR: GREG EDWARDS	CHECKED BY: GARY SANTY
FILE NAME: ...\\plot_files\\zd307c3tc-1.tpd	DRAWN BY: STANTEC	SHEET 167 OF 577
RAMP G TRAFFIC CONTROL TC-01		

V:\953\active\9530002\transportation\drawing\contract_3\plot_files\zd307c3tc-1.tpd