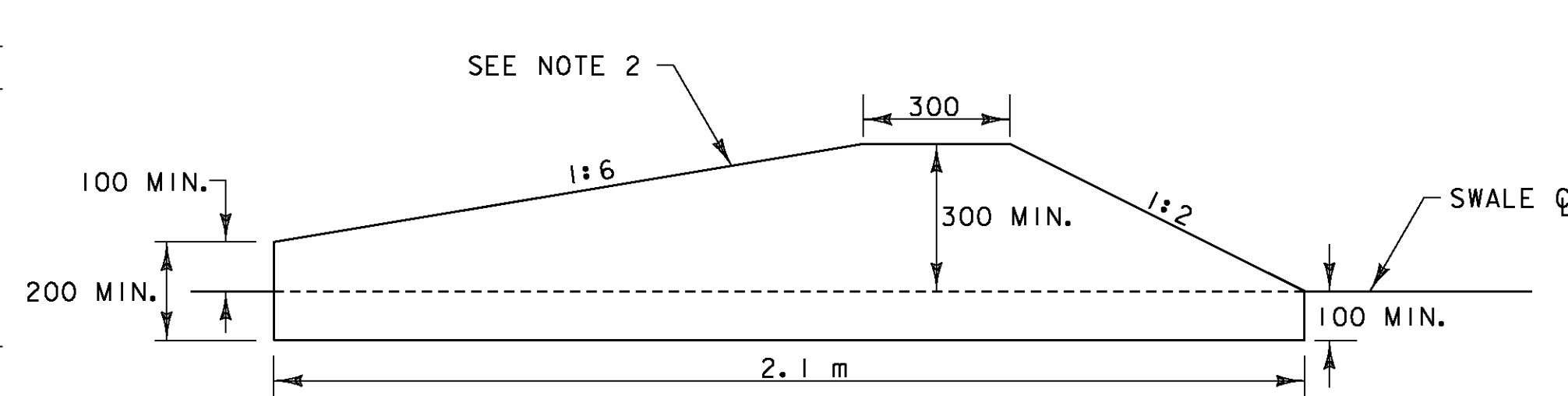


ITEM 900.608 PERMANENT STONE CHECK DAMS, TYPE 1
NOT TO SCALE

| STONE CHECK DAM PLACEMENT INTERVAL | |
|------------------------------------|------------------------|
| DITCH SLOPE | INTERVAL DIMENSION 'A' |
| 1 % | 30 m |
| 2 % | 15 m |
| 3 % | 10 m |
| 4 % | 7.5 m |
| 5 % | 6 m |
| 6 % | 5 m |
| 8 % | 3.75 m |
| 10 % | 3 m |



DETAILED LAYOUT

NOTES:

2. SIDE SLOPES FACING ONCOMING TRAFFIC SHALL BE 1v:6h
ALL OTHER SLOPES SHALL BE 1v:2h.

VERMONT AGENCY OF TRANSPORTATION



PROJECT NAME: BENNINGTON
PROJECT NUMBER: AC NH 019-(153)

FILE NAME: ...\\plot_files\zd307c3det.epsc.ptf PLOT DATE: 5/16/2011
DESIGN SUPERVISOR: GREG EDWARDS DRAWN BY: STANTEC
DESIGNED BY: MARC FOISY CHECKED BY: GARY SANTY
SHEET 142 OF 577