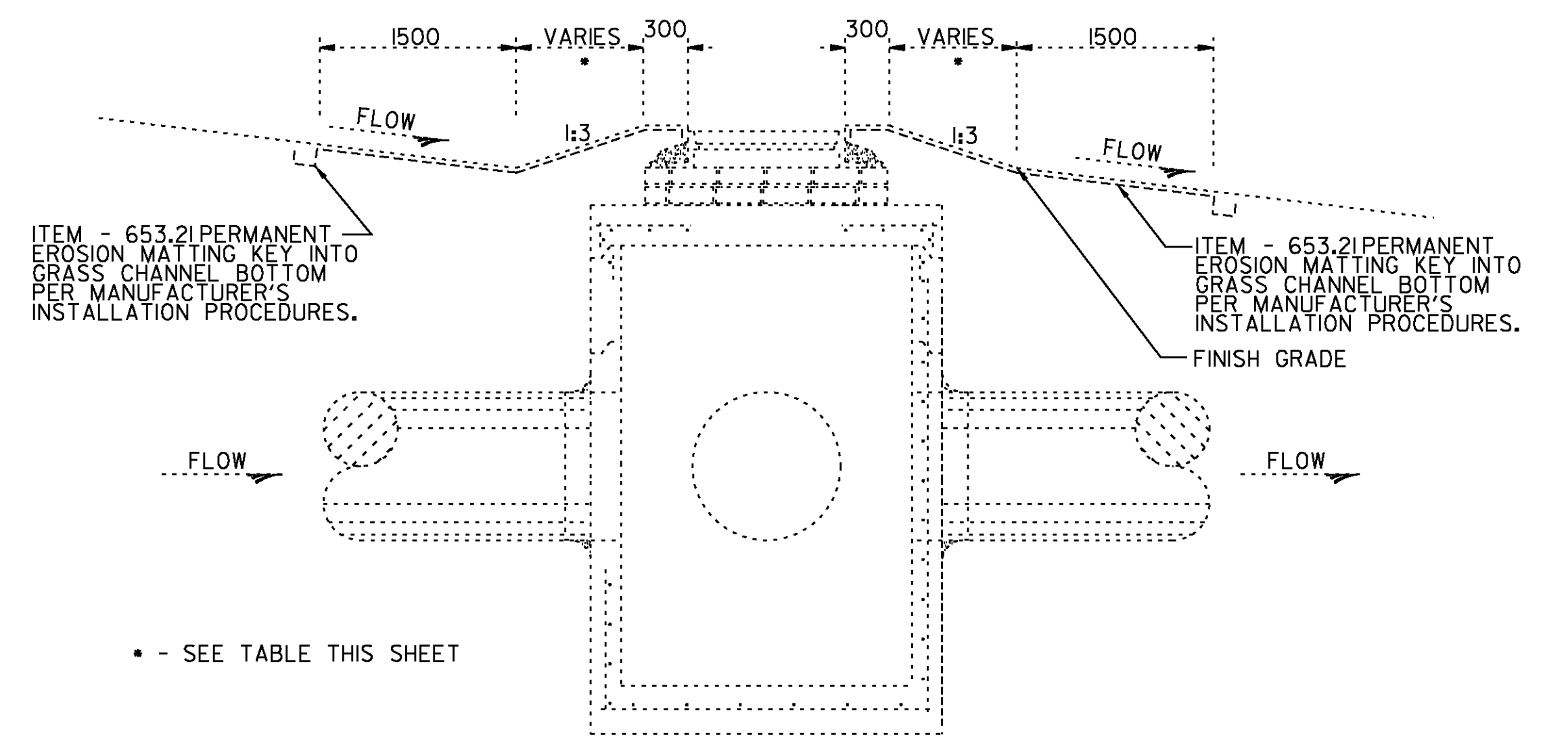
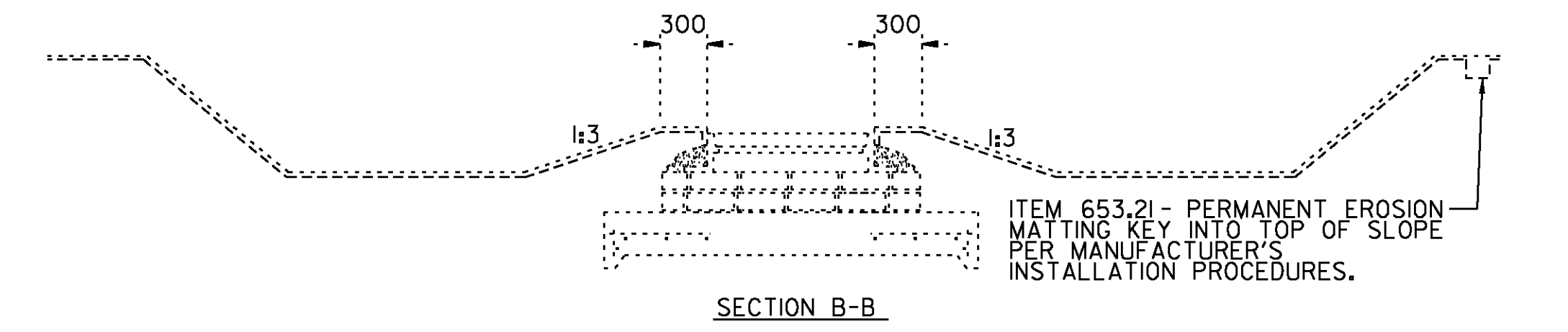


DETAIL OF SLOPE DITCH
NB 9+100, 13 m RT TO 42 m RT
 NOT TO SCALE



DRAINAGE STRUCTURE WITH RAISED RIM DETAIL
 NOT TO SCALE

NOTE: ALL DIMENSIONS ARE IN MILLIMETERS (mm) EXCEPT WHERE NOTED.

STRUCTURE #	STATION	RIM HEIGHT ABOVE FINISH GRADE OF GRASS CHANNEL
DI216	G 1+558.0, RT.	100
DI323	NB 9+225.0, LT.	75
DI328	NB 9+290.0, RT.	75
DI329	NB 9+295.0, LT.	75
CB330	XO 1+240.0, RT.	75
DI333	NB 9+380.0, LT.	75
CB337	XO 1+060.2, RT.	75
DI339	NB 9+560.0, RT.	75
DI340	NB 9+560.0, LT.	75
CB341	XO 0+974.3, RT.	75

STONE OUTLET PAD SIZING

OUTLET PIPE	STATION	VELOCITY	PAD LENGTH	PAD WIDTH	STONE TYPE
450	NB 8+607.0, LT.	2.27 m/s	3.6 m	1.35 m	I
CV308	ER 1+080.0, LT.	2.67 m/s	1.8 m	0.90 m	II
345	XO 0+884.0, RT.	0.89 m/s	3.6 m	1.35 m	II

VERMONT AGENCY OF TRANSPORTATION

PROJECT NAME: BENNINGTON
 PROJECT NUMBER: AC NH 019-(153)
 FILE NAME: ...\\plot_files\zd307c3det.drn.pft PLOT DATE: 5/16/2011
 DESIGN SUPERVISOR: GREG EDWARDS DRAWN BY: STANTEC
 DESIGNED BY: MARC FOISY CHECKED BY: GARY SANTY
DRAINAGE DETAILS DD-2 SHEET III OF 577

V:\953\active\9530002A\transportation\drawing\contract_3\plot_files\zd307c3det.drn.pft