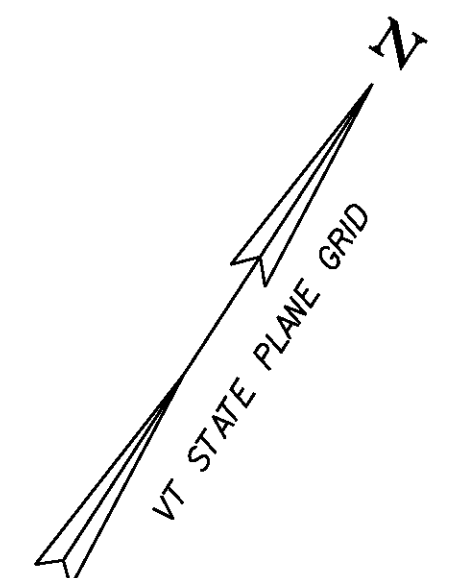
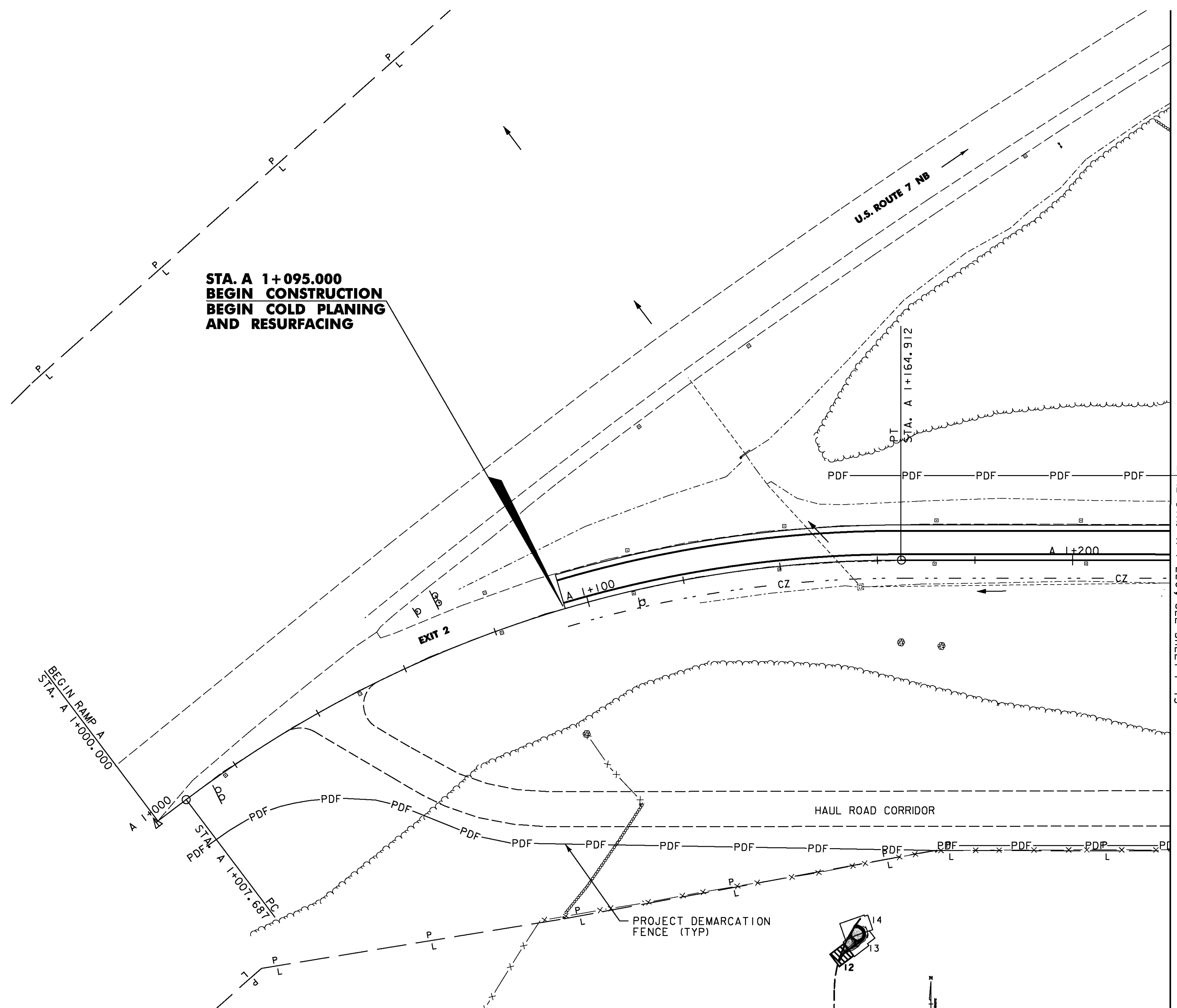
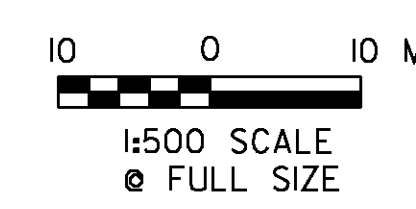
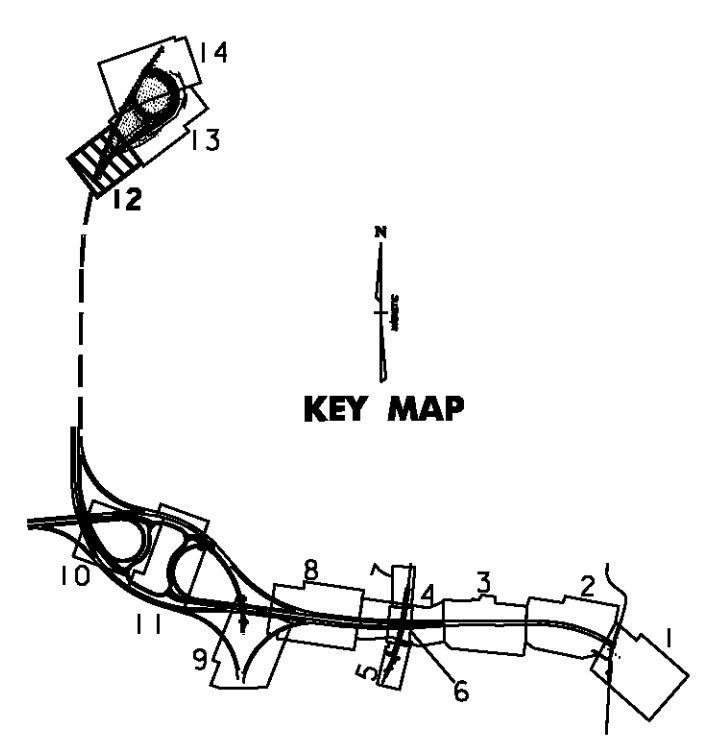


PROJECT DEMARCATION FENCE  
 STA. A 1+000.0 - A 1+220.0, RT.  
 STA. A 1+150.6 - A 1+220.0, LT.



NOTE:  
 FOR EXIT 2 GENERAL NOTES SEE SHEET P-14

MATCH LINE STA. A 1+220, SEE SHEET P-13



<b>VERMONT AGENCY OF TRANSPORTATION</b>	
	PROJECT NAME: BENNINGTON
	PROJECT NUMBER: AC NH 019-(153)
	FILE NAME: ...\\zd307c3gen_plans.prf
	DESIGN SUPERVISOR: GREG EDWARDS
DESIGNED BY: MARC FOISY	PLOT DATE: 5/16/2011
<b>GENERAL PLAN P-12 EXIT 2</b>	CHECKED BY: GARY SANTY
	SHEET 89 OF 577

V:\9513\active\95130002\transportation\drawing\contract\_3\plot\_files\zd307c3gen\_plans.prf