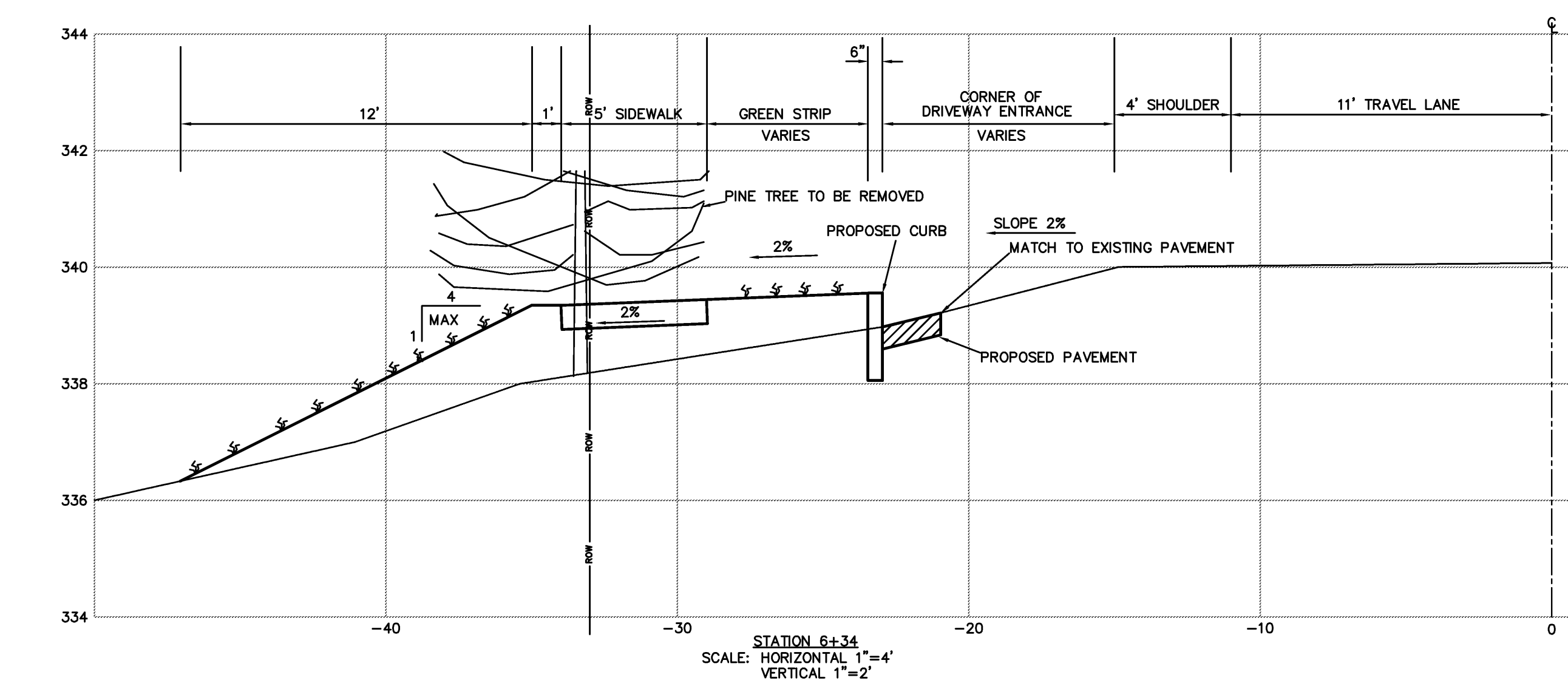
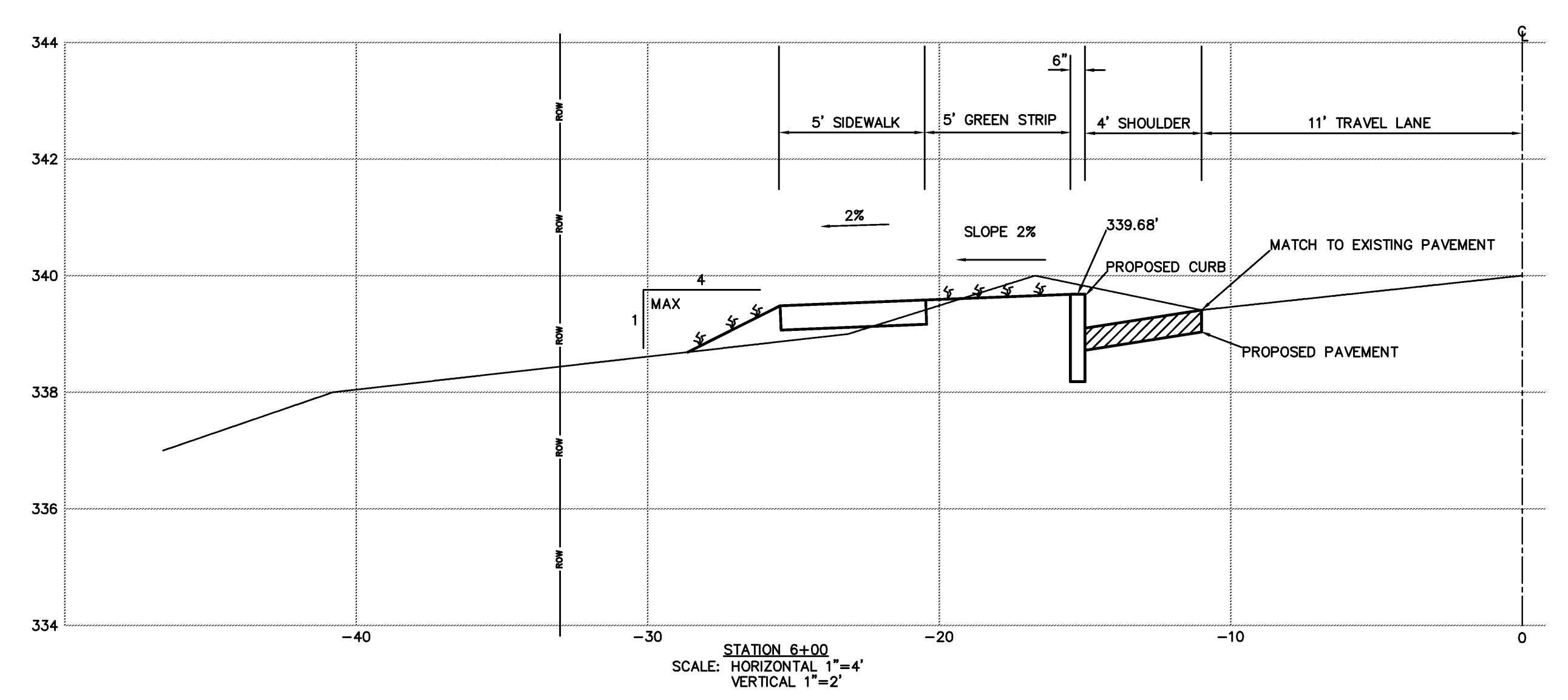
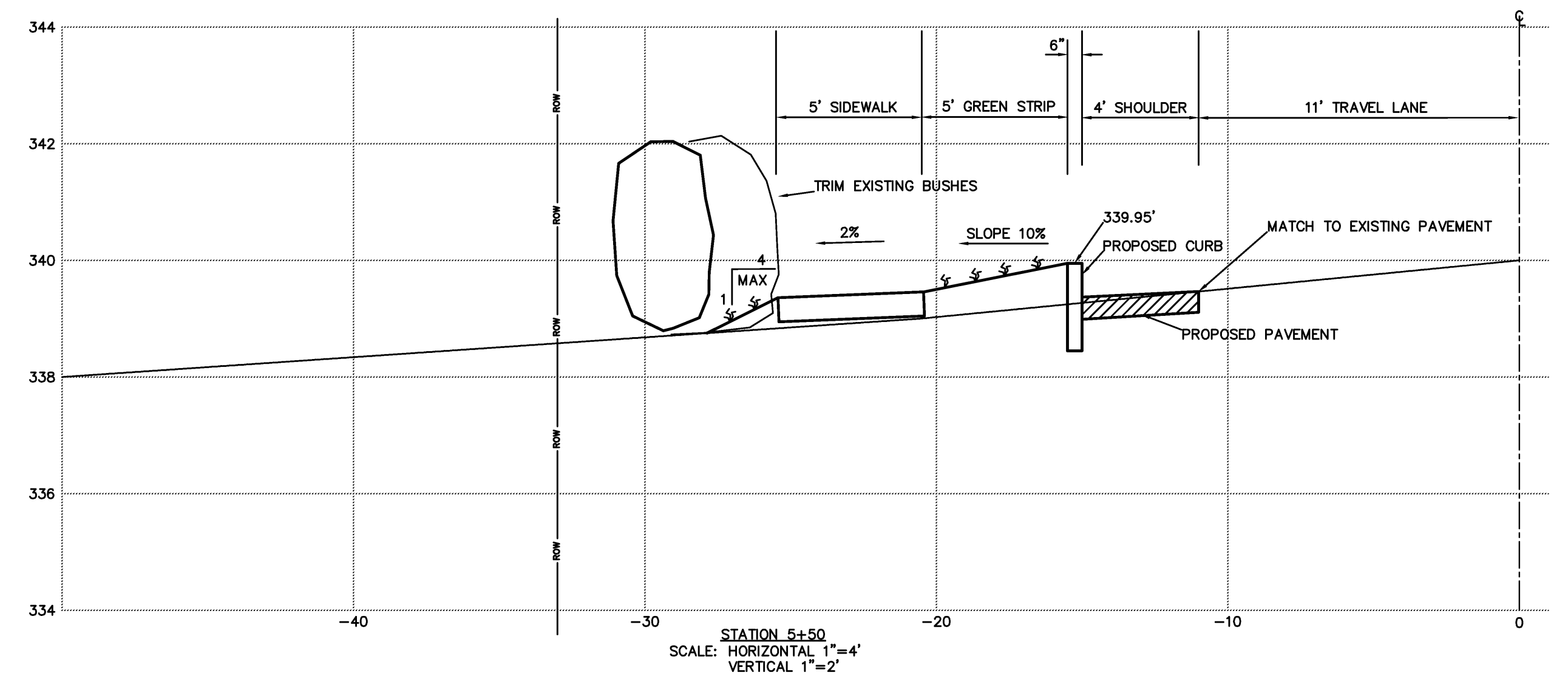


G:\drafting\ESPC\DRAWING\ENGINEERING\2005\100\20051114\HINESBURG_SPA.dwg 20051114.dwg Rev.6.dwg 1/29/2008 12:03:48 PM EST



RECORD DRAWINGS
 DISCLAIMER: THESE RECORD DRAWINGS WERE PREPARED FROM DATA PROVIDED BY THE CONTRACTOR AND/OR OWNERS REPRESENTATIVE AND FROM SITE INSPECTIONS CONDUCTED BY ESPC FOLLOWING CONSTRUCTION. THE ENGINEER ASSUMES NO RESPONSIBILITY REGARDING THE ACCURACY OF THE INFORMATION PROVIDED ON THE PLANS OR THE LOCATIONS OF NEW CONSTRUCTION FEATURES DEPICTED ON THE PLANS.

FINAL PLANS FOR CONSTRUCTION

REVISIONS	BY
1. INCLUDE COMMENTS FROM ARMY BATT	02-23-07 LMM
2. REMOVE THE PEDESTRIAN SIGN	05-07-07 LMM
3. RELOCATED SIDEWALK AROUND UTILITY POLES	07-18-07 LMM

ESPC
 CIVIL AND ENVIRONMENTAL ENGINEERING
 P.O. BOX 212, WILLISTON, VT, 05495
 WWW.ESPCCONSULTING.COM
 TEL: 802-383-0486

HINESBURG STP EH05(22)
 VILLAGE STREETScape IMPROVEMENTS
 ROUTE 116
 HINESBURG, VERMONT

DRAWN	DM
CHECKED	ES
DATE	01/15/07
SCALE	AS NOTED
JOB NO.	20051114
SHEET	

CS-3