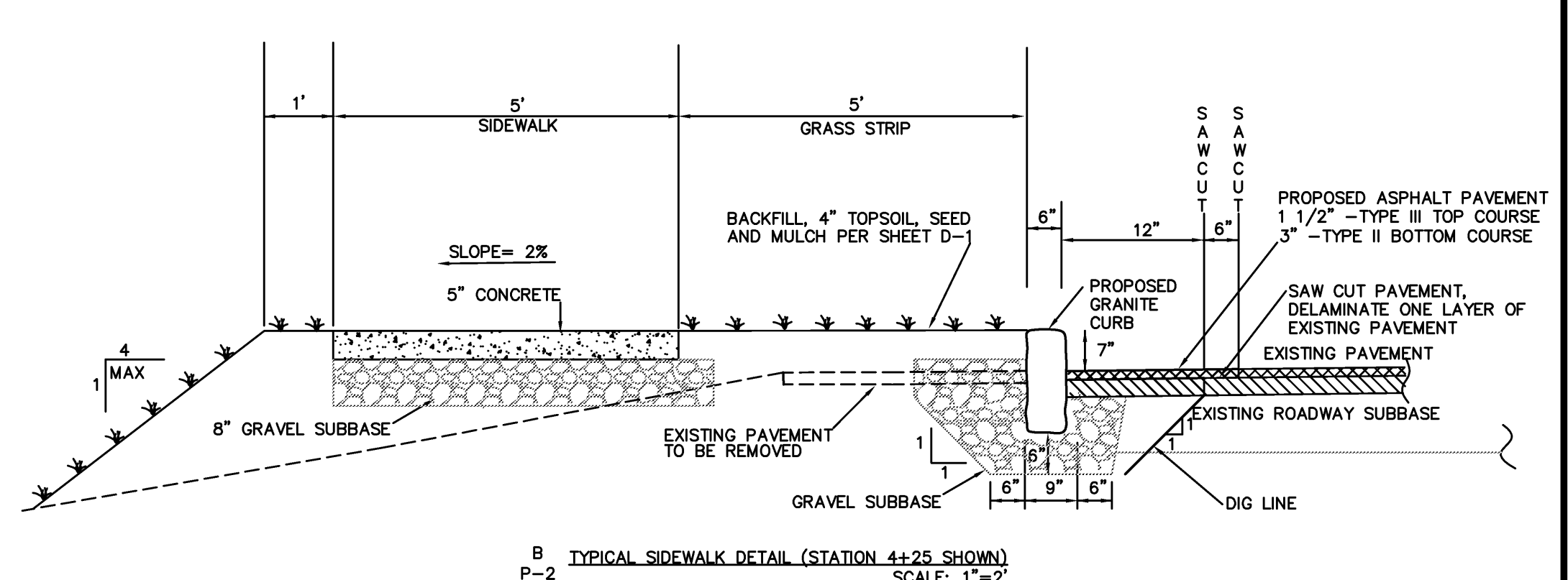
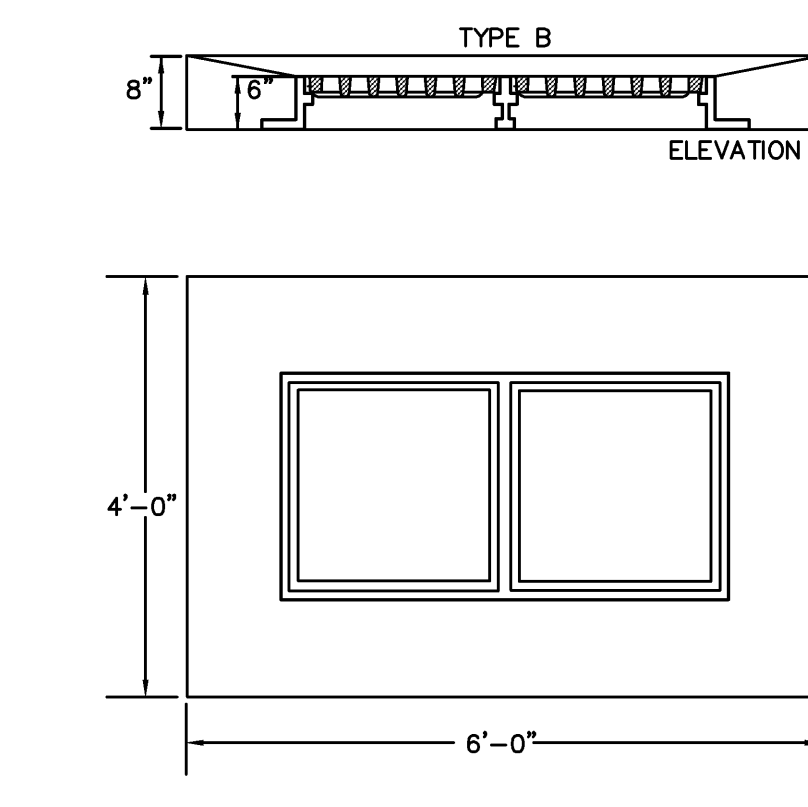
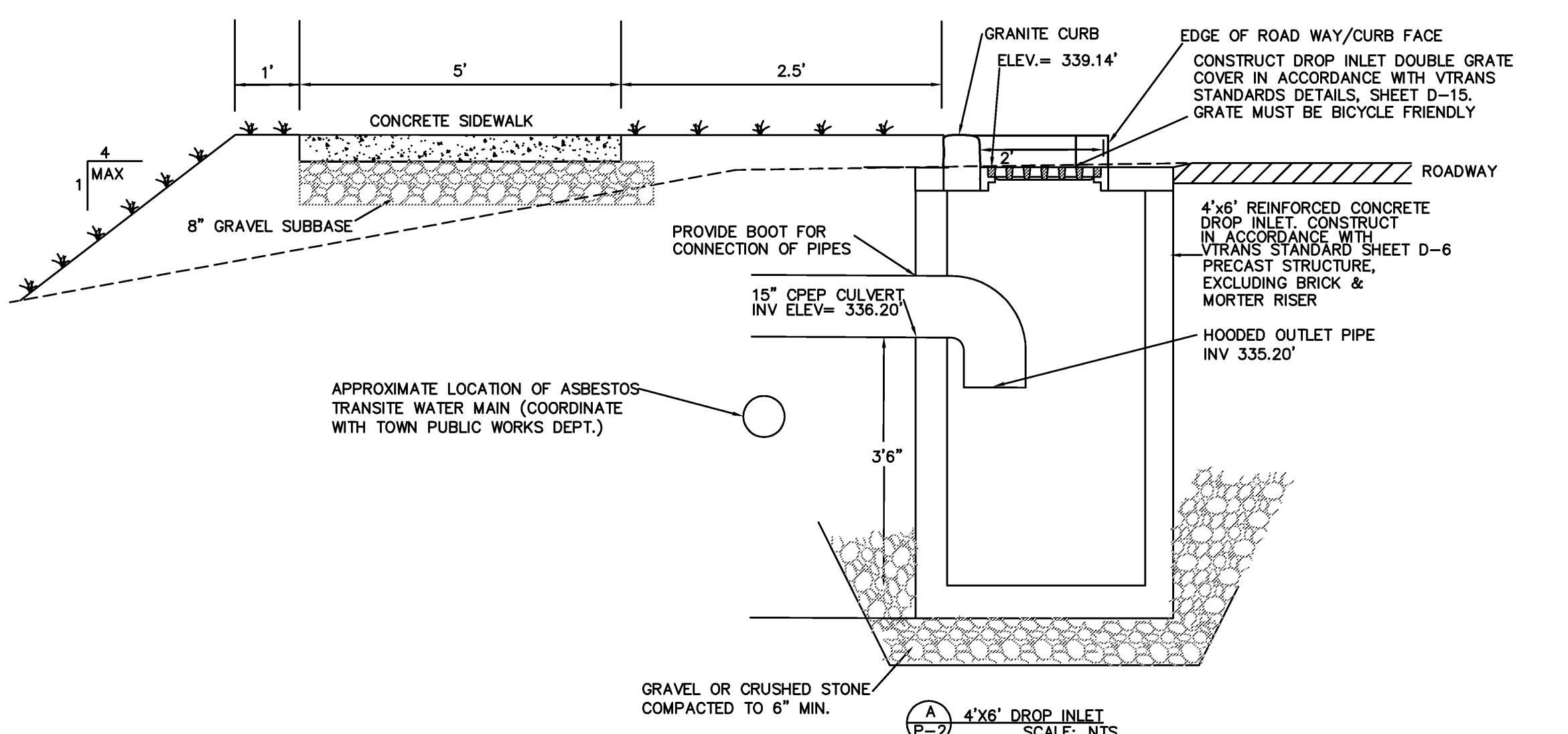
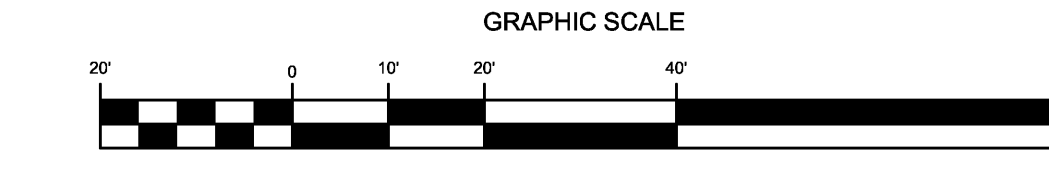
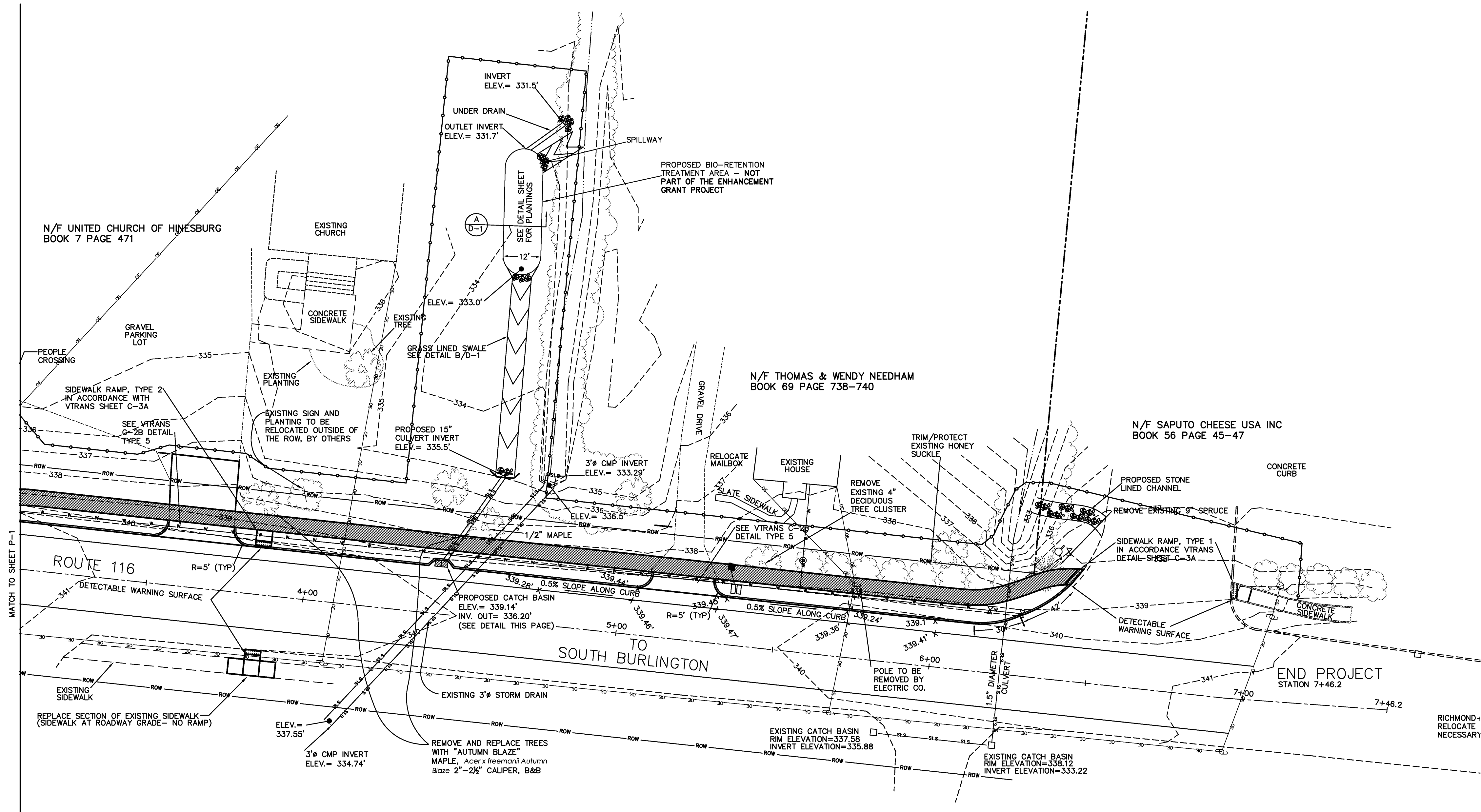


LEGEND

	EXISTING	PROPOSED
BUFFER		
BUILDING		
CATCH BASIN	□	■
CENTERLINE	—	—
CONSTRUCTION LIMIT	—	—
CORNER	○	○
CURB	—	—
CURB STOP	●	●
EASEMENT	—	—
FENCE	—	—
GAS LINE	—	—
GRAVEL	—	—
HYDRANT	⊕	⊕
LIGHT	⊙	⊙
PAVEMENT	—	—
OVERHEAD POWER	—	—
PROPERTY LINE	—	—
RIGHT OF WAY	—	—
SANITARY SEWER	—	—
SETBACK	—	—
SEWER MANHOLE	⊕	⊕
SIDEWALK	—	—
SIGNAGE	—	—
STORM MANHOLE	⊕	⊕
STORM SEWER	—	—
TREE LINE	—	—
UTILITY POLE	⊕	⊕
VALVE	⊕	⊕
WATER LINE	—	—

EXISTING DECIDUOUS TREE TO BE PROTECTED WITH SNOW FENCE MIN OF 5' FROM BASE DURING CONSTRUCTION

EXISTING CONIFEROUS TREE TO BE PROTECTED WITH SNOW FENCE MIN OF 5' FROM BASE DURING CONSTRUCTION



RECORD DRAWINGS

DISCLAIMER: THESE RECORD DRAWINGS WERE PREPARED FROM DATA PROVIDED BY THE CONTRACTOR AND/OR OWNERS REPRESENTATIVE AND FROM SITE INSPECTIONS CONDUCTED BY ESPC FOLLOWING CONSTRUCTION. THE ENGINEER ASSUMES NO RESPONSIBILITY REGARDING THE ACCURACY OF THE INFORMATION PROVIDED ON THE PLANS OR THE LOCATIONS OF NEW CONSTRUCTION FEATURES DEPICTED ON THE PLANS.

REVISIONS	BY
1-Include comments from Arty Sal	02-23-07 LUM
2-REMOVE THE PEDESTRIAN BRGS	05-07-07 LUM
3-RELOCATED SIDEWALK AROUND UTILITY POLES	07-18-07 LUM

ESPC

CIVIL AND ENVIRONMENTAL ENGINEERING
 P.O. BOX 212, WILLISTON, VT. 05495
 WWW.ESPC-CONSULTING.COM
 TEL: 802-383-0486

HINESBURG STP EH09(22)
 VILLAGE STREETScape IMPROVEMENTS
 ROUTE 116
 HINESBURG, VERMONT

DRAWN	DM
CHECKED	ES
DATE	01/22/08
SCALE	1"=20'
JOB NO	20051114
SHEET	

P-2

G:\working\ESPC\Drawings\ENGINEERING\2005_1103\20051114\HINESBURG_STP\Drawings\20051114_Plan_Road.dwg 1/23/2008 12:03:48 PM EST