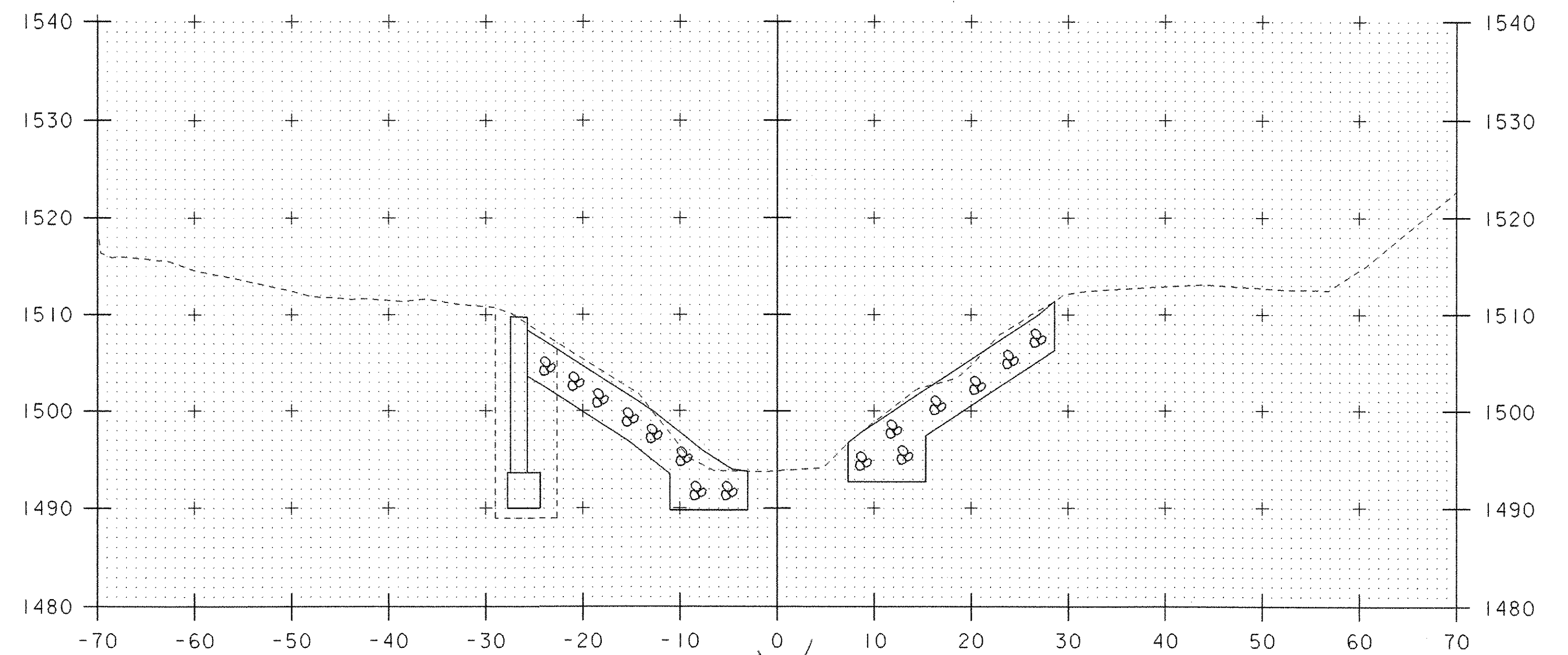
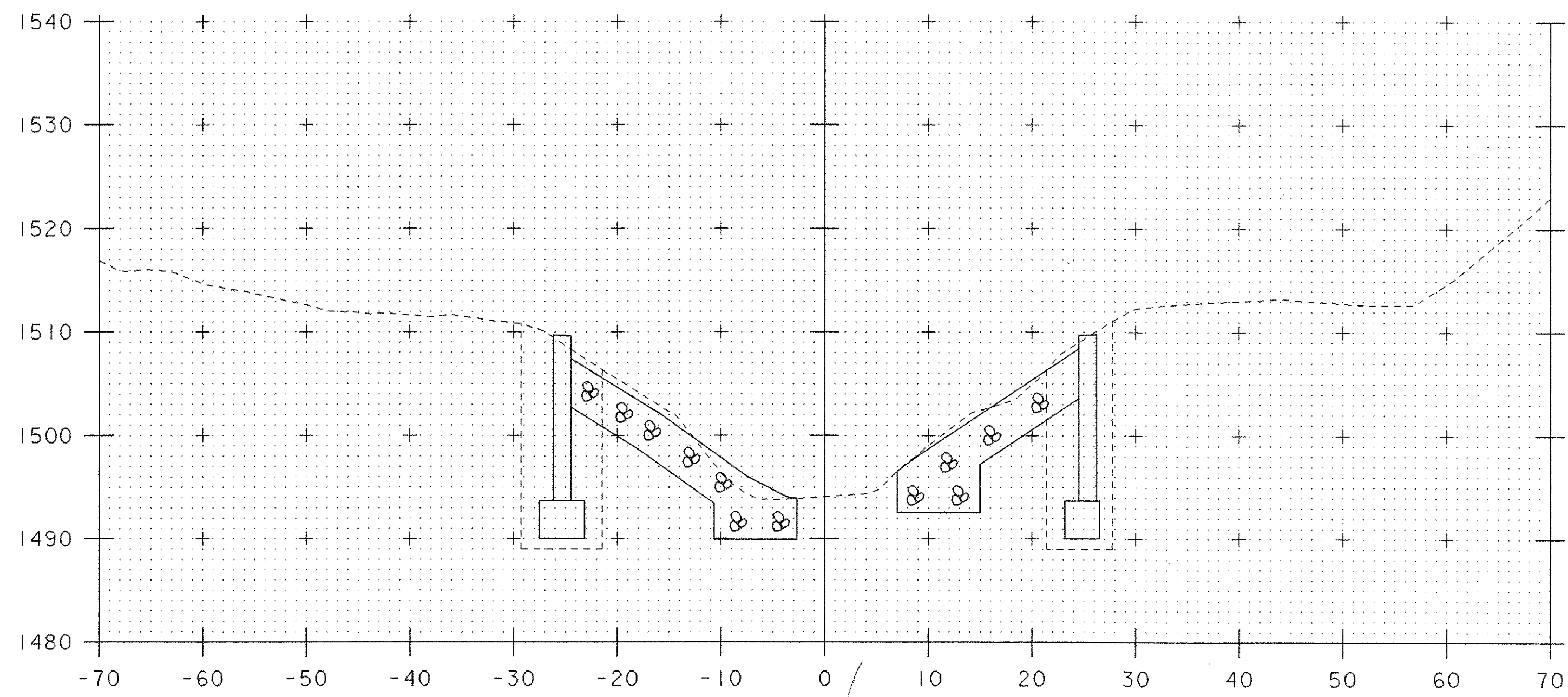


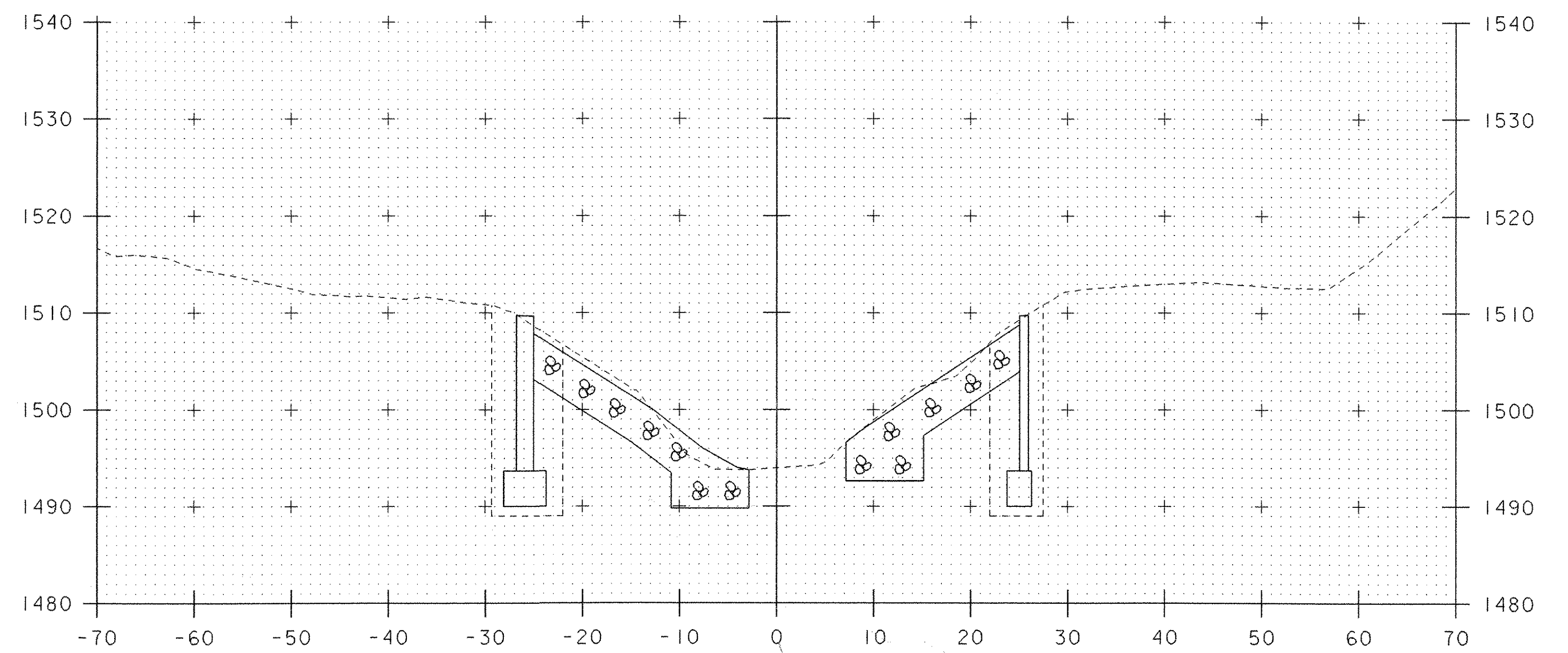
12+93.73
BACK EXCAVATION LIMITS @ WW4



12+94.44 - Section not used
END WW4 BACK FACE



12+93.58 - Section not used
END WW3 BACK FACE



12+93.97 - Section not used
BACK CORNER OF FOOTING @ WW4

PROJECT: WHITINGHAM	PROJECT NO.: ST CULV (6)
DESIGN FILE NAME: 05c128/structures/s05c128xs.dgn	PLOT DATE: 27-JUN-2006
IPARM FILE NAME: s05c128ch3.i	DESIGNED BY: E.L.RUSTAY
SQUAD LEADER: C.P.WILLIAMS	DRAWN BY: E.L.RUSTAY
CHANNEL STA 12+00 - STA 12+75	CHECKED BY: M.GAGULIC
	SHEET: 11A OF 12

SCALE 1" = 10'-0"
10 0 10