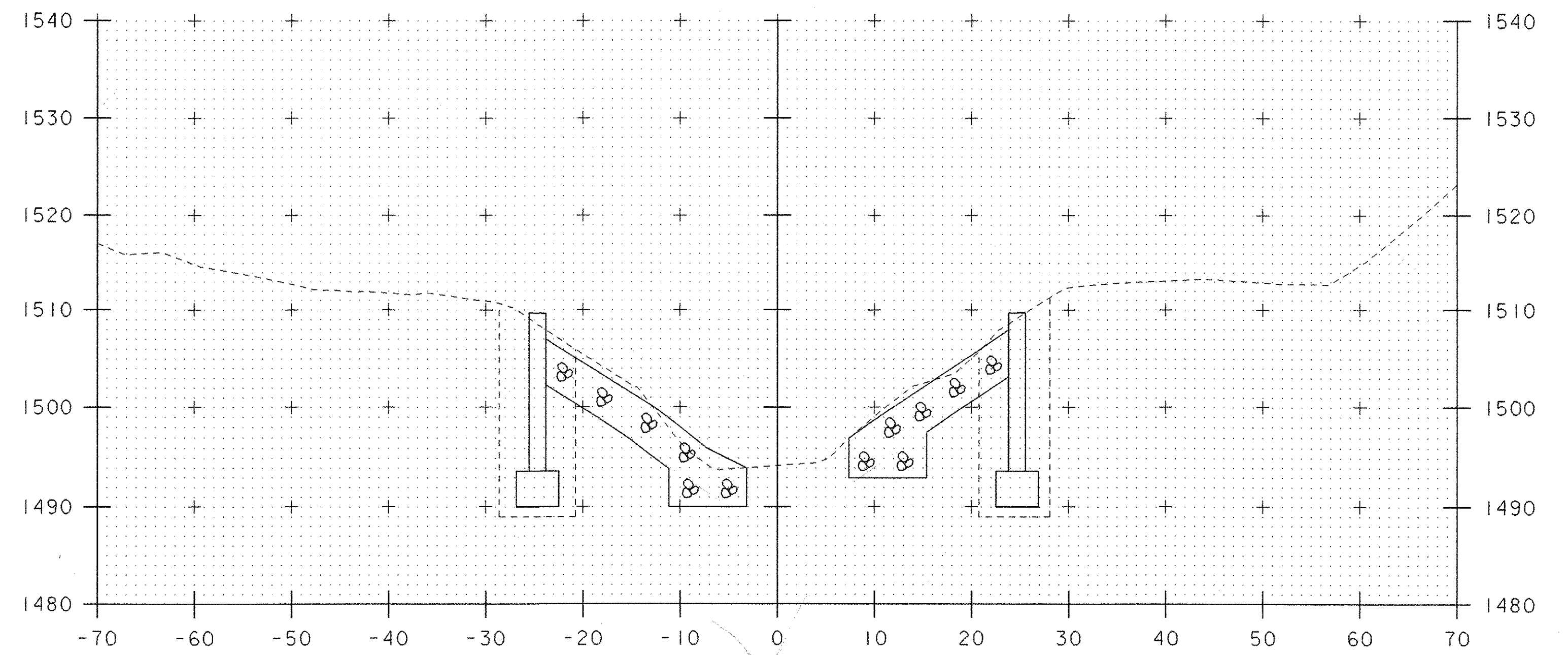


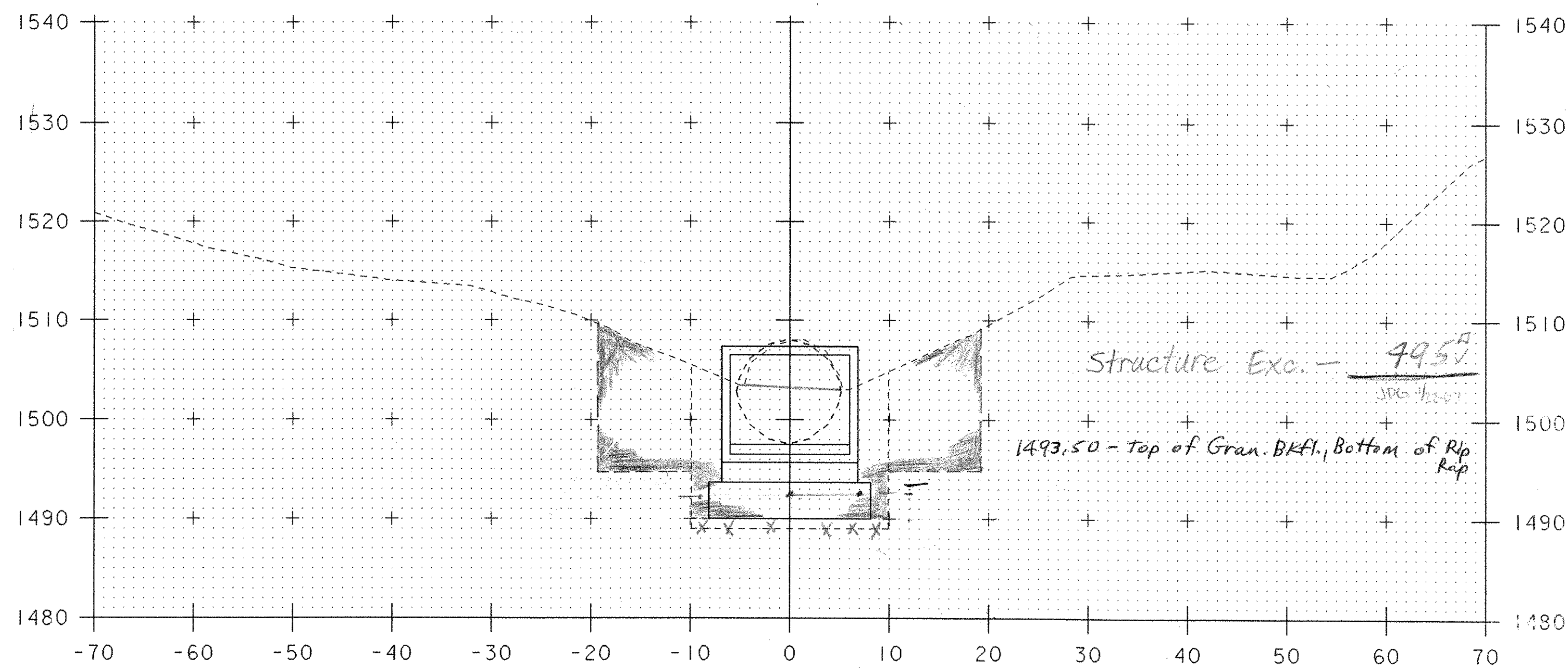
12+81.75 - Section not used

EXCAVATION LIMITS @ FRONT OF FOOTING - See Chan. Line  
Sta. 12+83.75



12+93.11 - Section not used

BACK CORNER OF FOOTING @ WW3

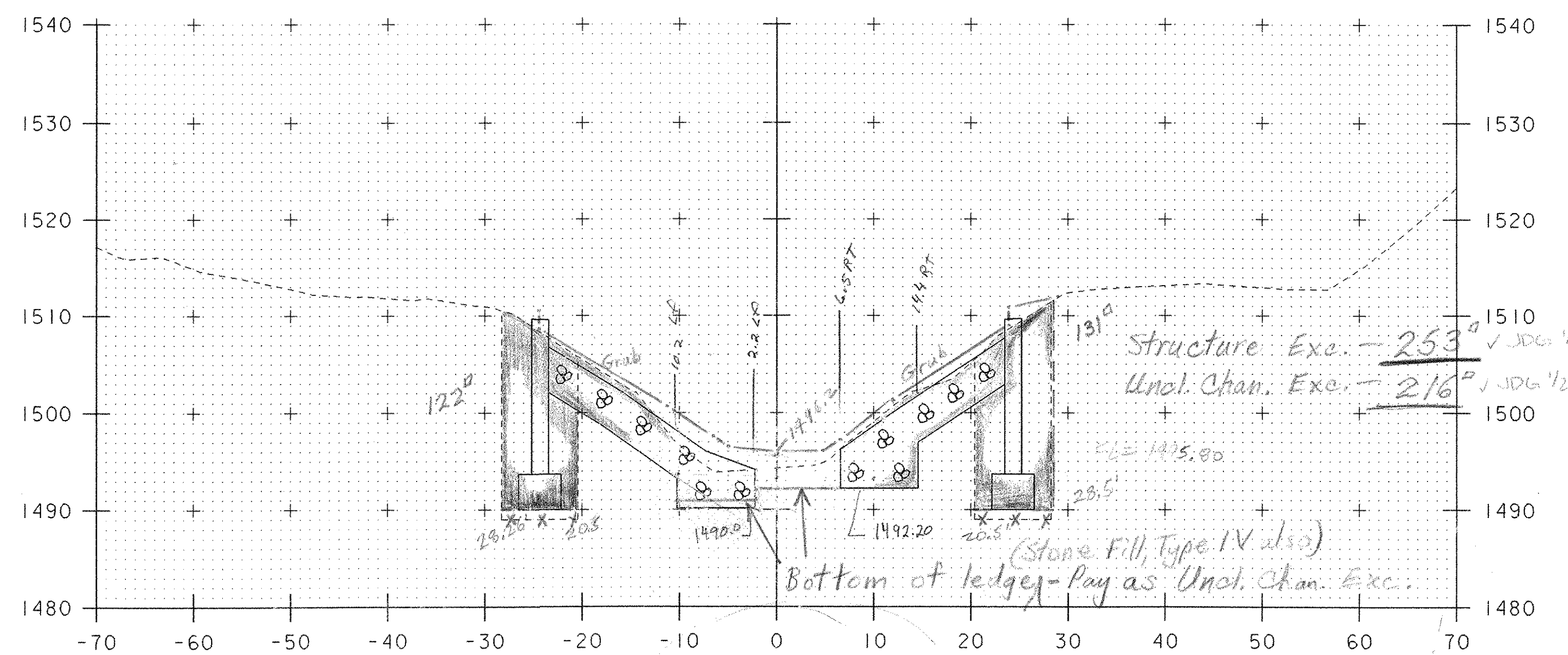


12+80  
WP @ END BOX

Box Culvert grades were raised 1'  
due to ledge

STA 12+80.00 LT  
BEGIN STONE FILL TYPE IV  
BEGIN GEOTEXTILE UNDER STONE FILL  
BEGIN GRUBBING MATERIAL  
BEGIN UNCLASSIFIED CHANNEL EXCAVATION

STA 12+80.00 RT  
BEGIN STONE FILL TYPE IV  
BEGIN GEOTEXTILE UNDER STONE FILL  
BEGIN GRUBBING MATERIAL  
BEGIN UNCLASSIFIED CHANNEL EXCAVATION



12+92.87  
BACK EXCAVATION LIMITS @ WW3

PROJECT: WHITINGHAM	PROJECT NO.: ST CULV (6)
DESIGN FILE NAME: 05c128/structures/s05c128xs.dgn	PLOT DATE: 27-JUN-2005
IPARM FILE NAME: s05c128ch3.i	DRAWN BY: E.L. RUSTAY
DESIGNED BY: E.L. RUSTAY	CHECKED BY: M. GAGULIC
SQUAD LEADER: C.P. WILLIAMS	SHEET: 10A OF 12
CHANNEL STA 12+00 - STA 12+75	

SCALE 1" = 10'-0"  
10 0 10