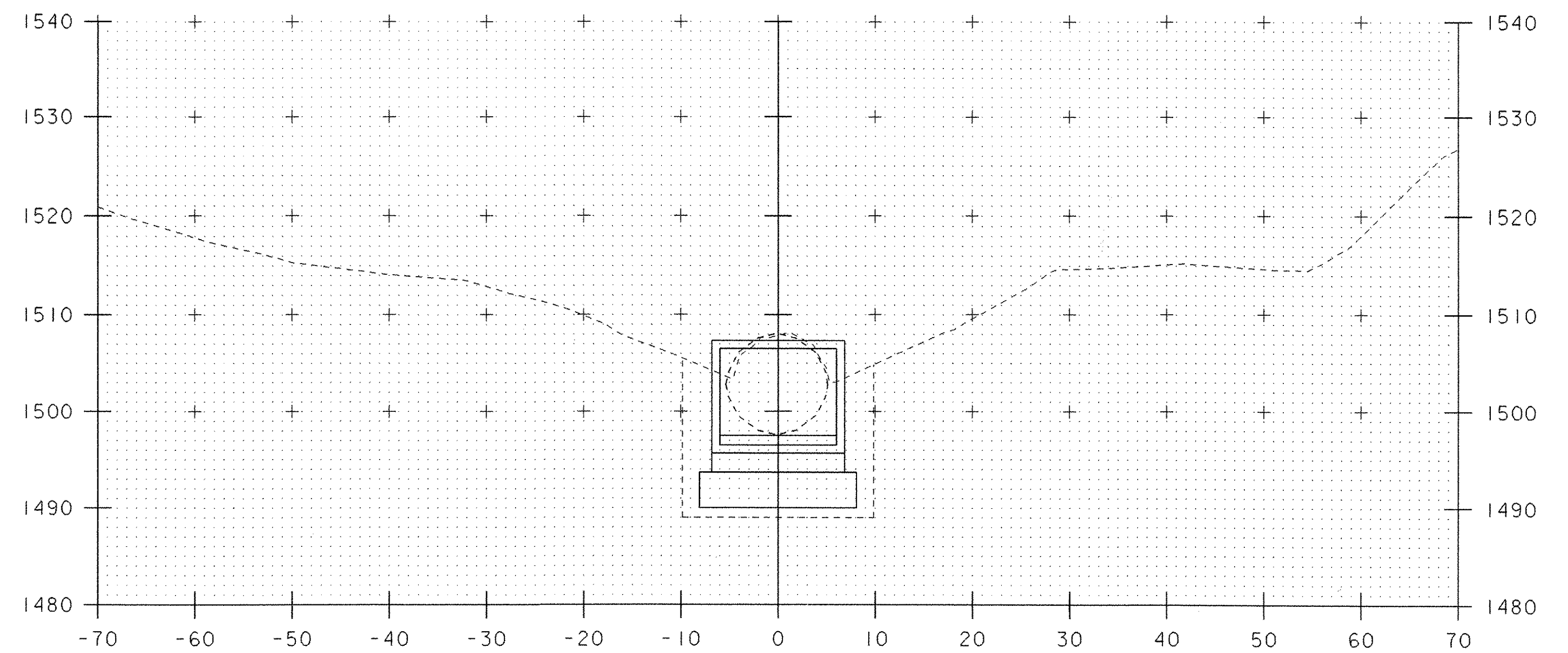
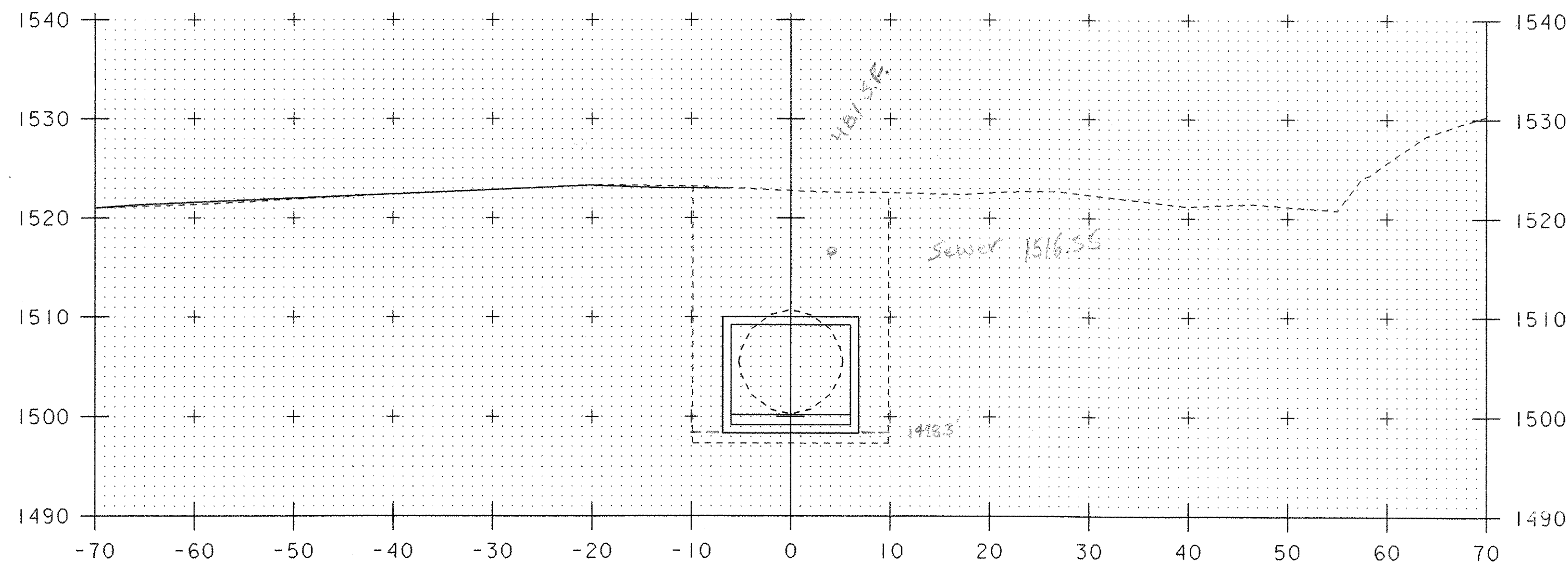


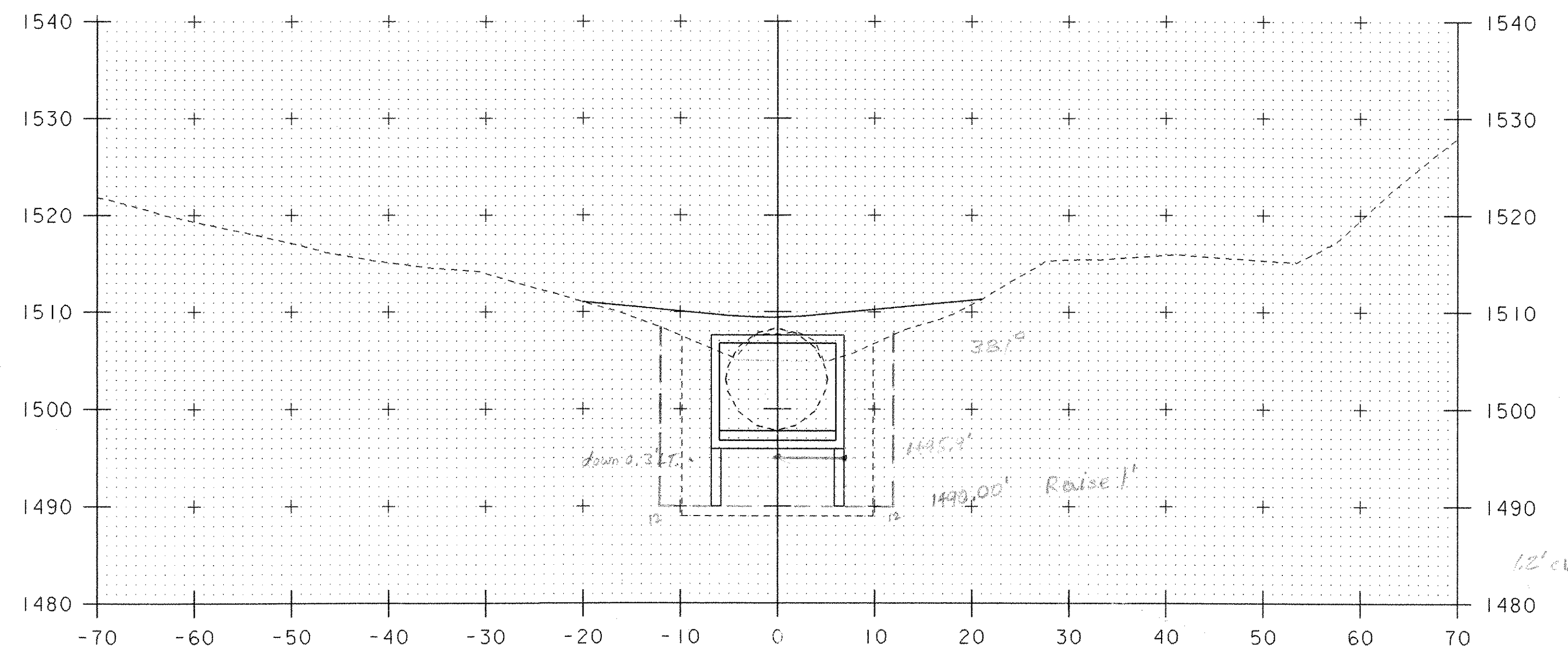
12+50



12+79.96
EXCAVATION LIMITS



12+25



12+75
+74

For reference regarding sewer line location only - no quantities

PROJECT: WHITINGHAM	PROJECT NO.: ST CULV (6)
DESIGN FILE NAME: 05c128/structures/s05c128xs.dgn	PLOT DATE: 27-JUN-2006
IPARM FILE NAME: s05c128ch3.i	DESIGNED BY: E.L.RUSTAY
SQUAD LEADER: C.P.WILLIAMS	CHECKED BY: M.GAGULIC
CHAN STA 12+25 - STA 12+79.96	SHEET: 9 OF 12

SCALE 1" = 10'-0"
10 0 10