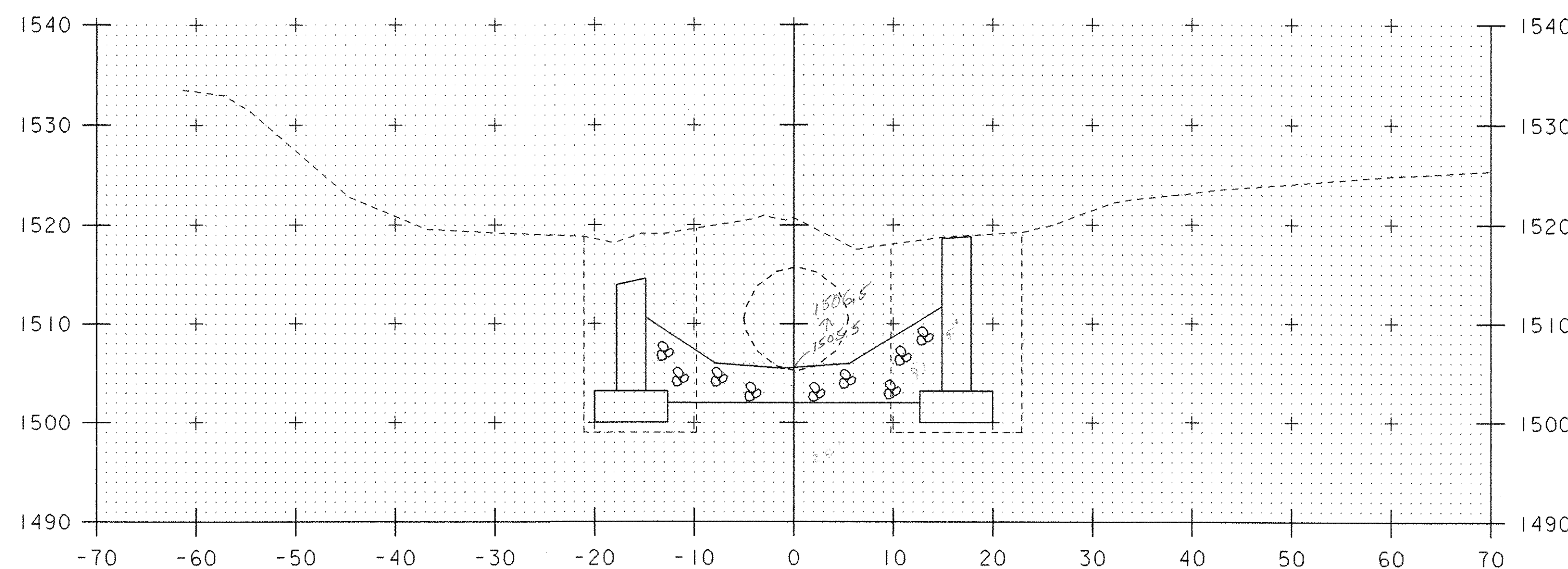
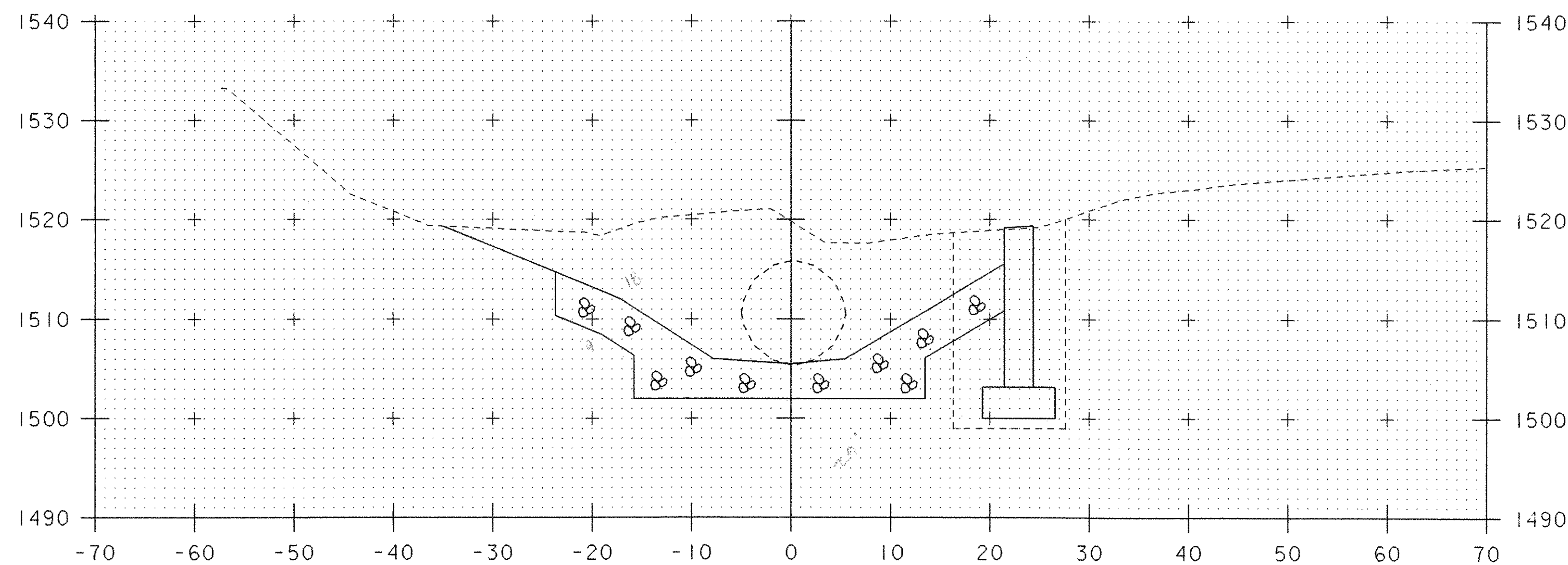


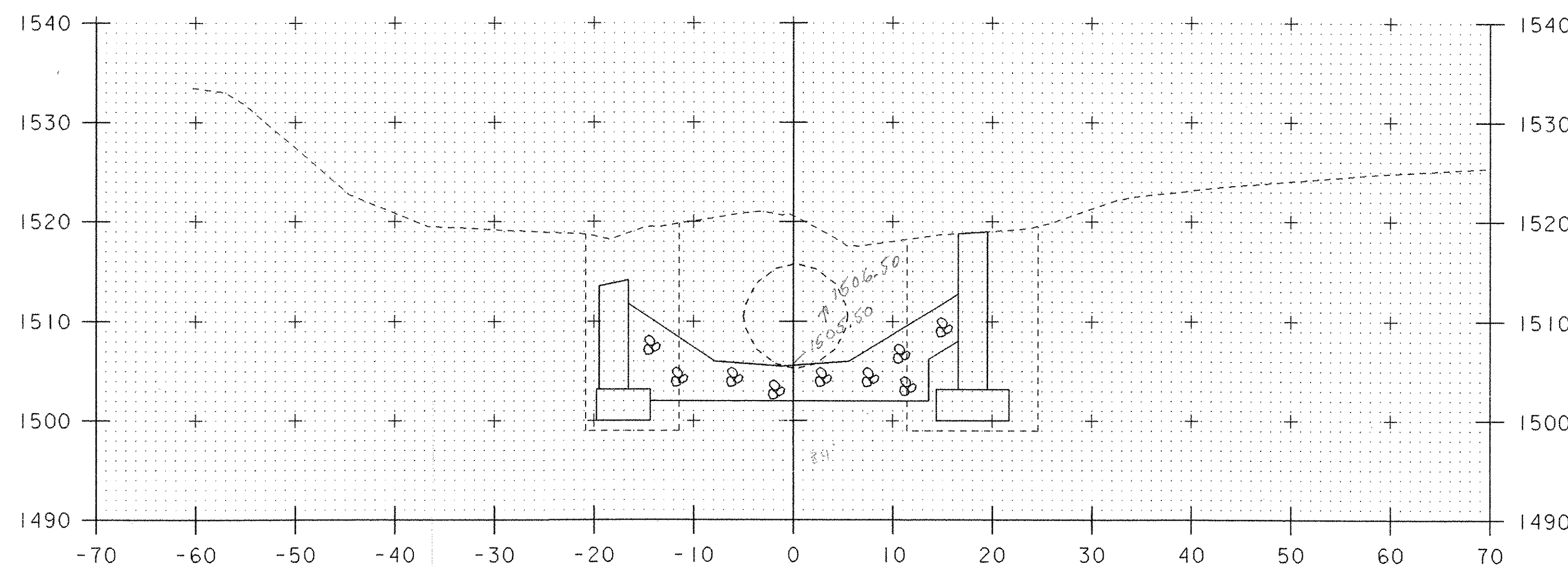
11+20.21
BACK EXCAVATION LIMITS @ WW1



11+22.01
BACK CORNER OF FOOTING @ WW2



11+19.62
BACK CORNER OF FOOTING @ WW1



11+21.39
END WW2 BACK FACE

M.W.#. plan 1/3/07

PROJECT: WHITINGHAM	PROJECT NO.: ST CULV (6)
DESIGN FILE NAME: 05c128/structures/s05c128xs.dgn	PLOT DATE: 27-JUN-2006
IPARM FILE NAME: s05c128ch2.i	DESIGNED BY: E.L.RUSTAY
SQUAD LEADER: C.P.WILLIAMS	DRAWN BY: E.L.RUSTAY
CHAN STA 11+19.62 - STA 11+22.01	CHECKED BY: M.GAGULIC
	SHEET: 6A OF 12

SCALE 1" = 10' - 0
10 0 10