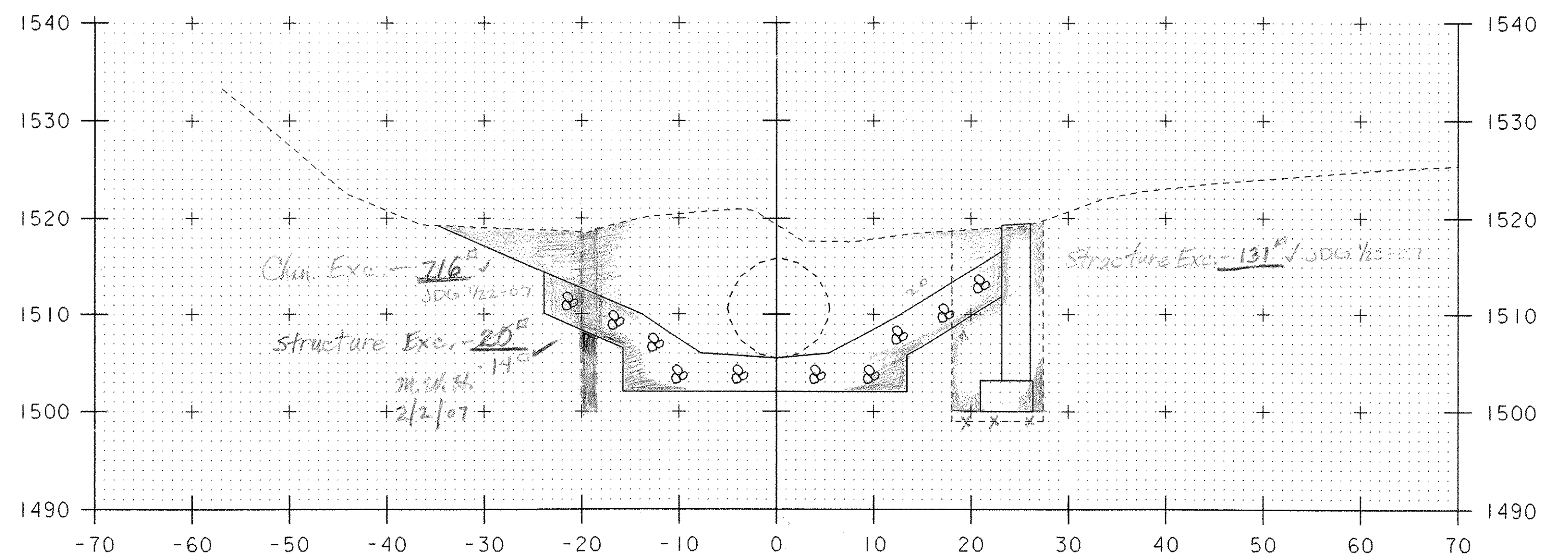
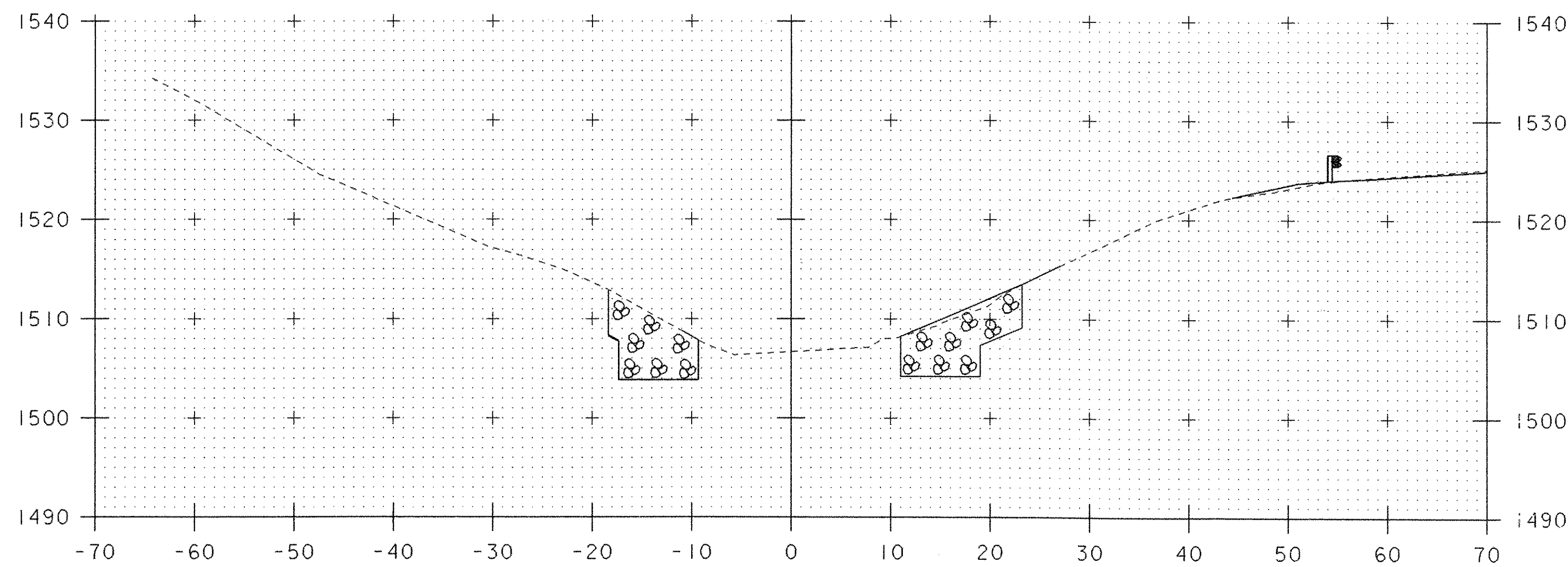


11+15.98
FRONT EXCAVATION LIMITS @ WW1

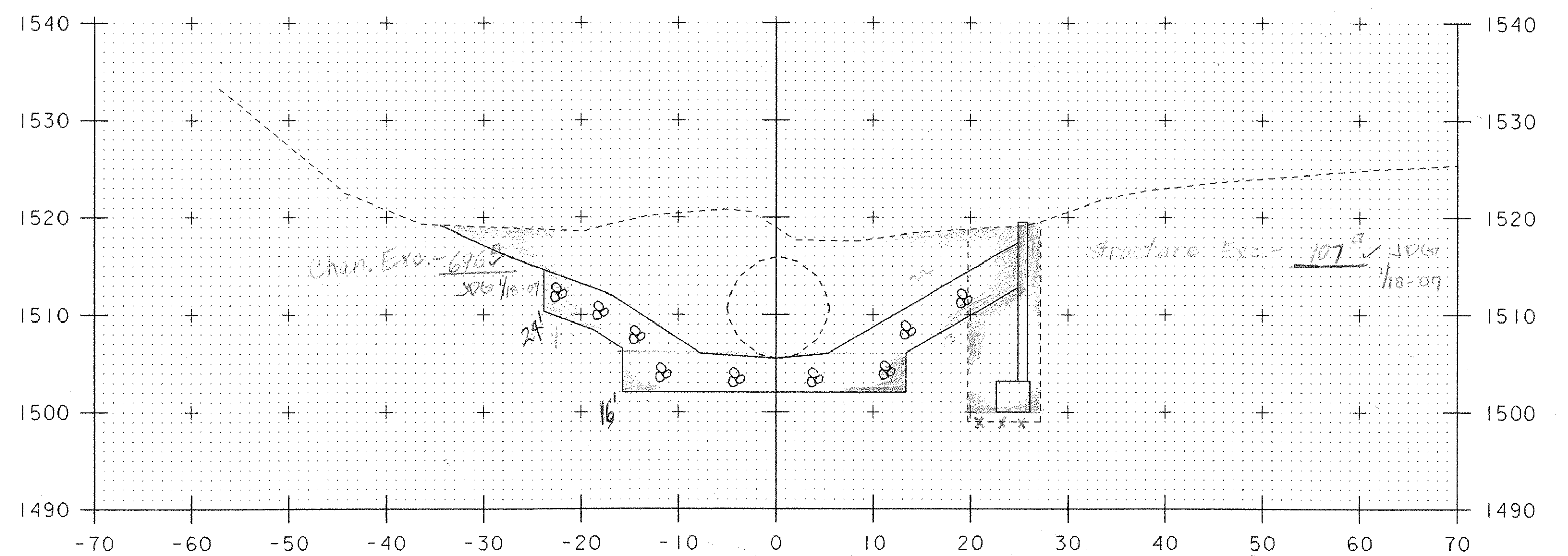


11+19.00
END WW1 BACK FACE



11+00

11+05
STA 10+98.00 LT
BEGIN STONE FILL TYPE IV
BEGIN GEOTEXTILE UNDER STONE FILL
BEGIN GRUBBING MATERIAL
BEGIN UNCLASSIFIED CHANNEL EXCAVATION



11+18.38
FRONT EXCAVATION LIMITS @ WW2

11+03
STA 10+99.00 RT
BEGIN STONE FILL TYPE IV
BEGIN GEOTEXTILE UNDER STONE FILL
BEGIN GRUBBING MATERIAL
BEGIN UNCLASSIFIED CHANNEL EXCAVATION

PROJECT: WHITINGHAM	PROJECT NO.: ST CULV (6)
DESIGN FILE NAME: 05c128/structures/s05c128xs.dgn	PLOT DATE: 27-JUN-2006
IPARM FILE NAME: s05c128ch2.i	DESIGNED BY: E. L. RUSTAY
SQUAD LEADER: C. P. WILLIAMS	DRAWN BY: E. L. RUSTAY
CHANNEL STA 11+00 - STA 11+19	CHECKED BY: M. GAGULIC
	SHEET: 5A OF 12

SCALE 1" = 10'-0"
10 0 10