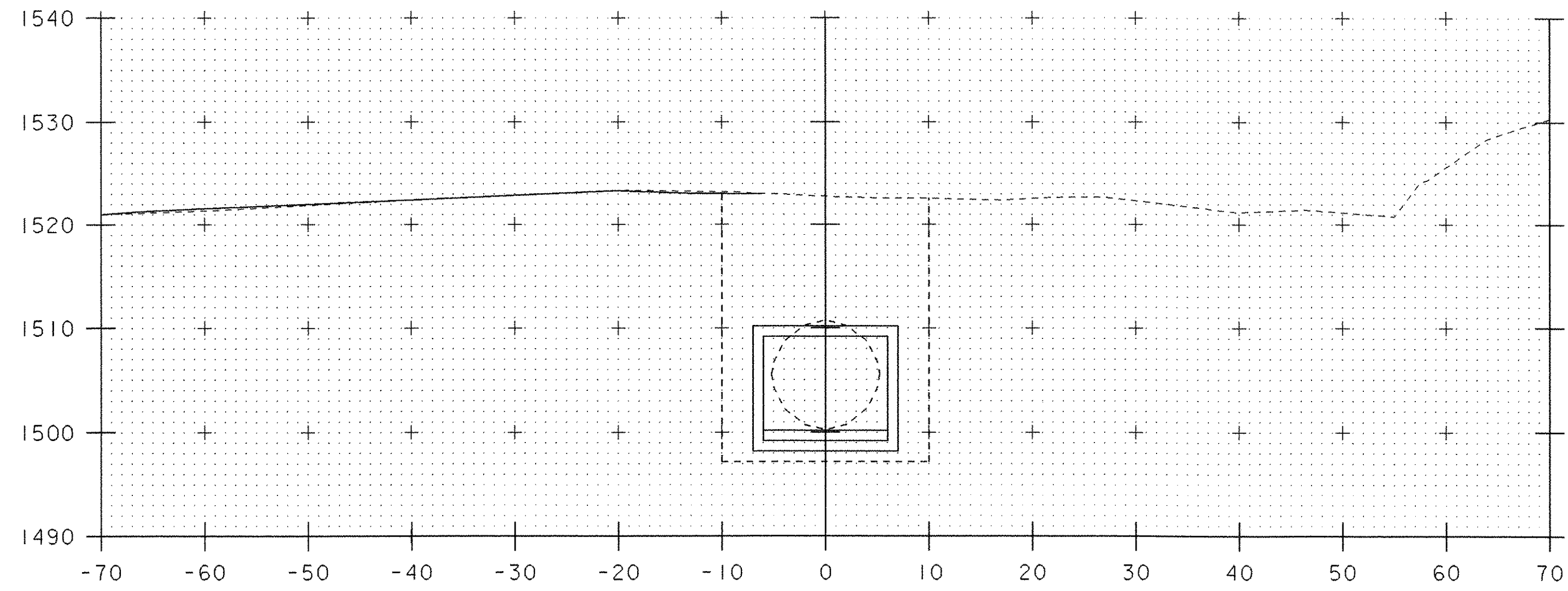
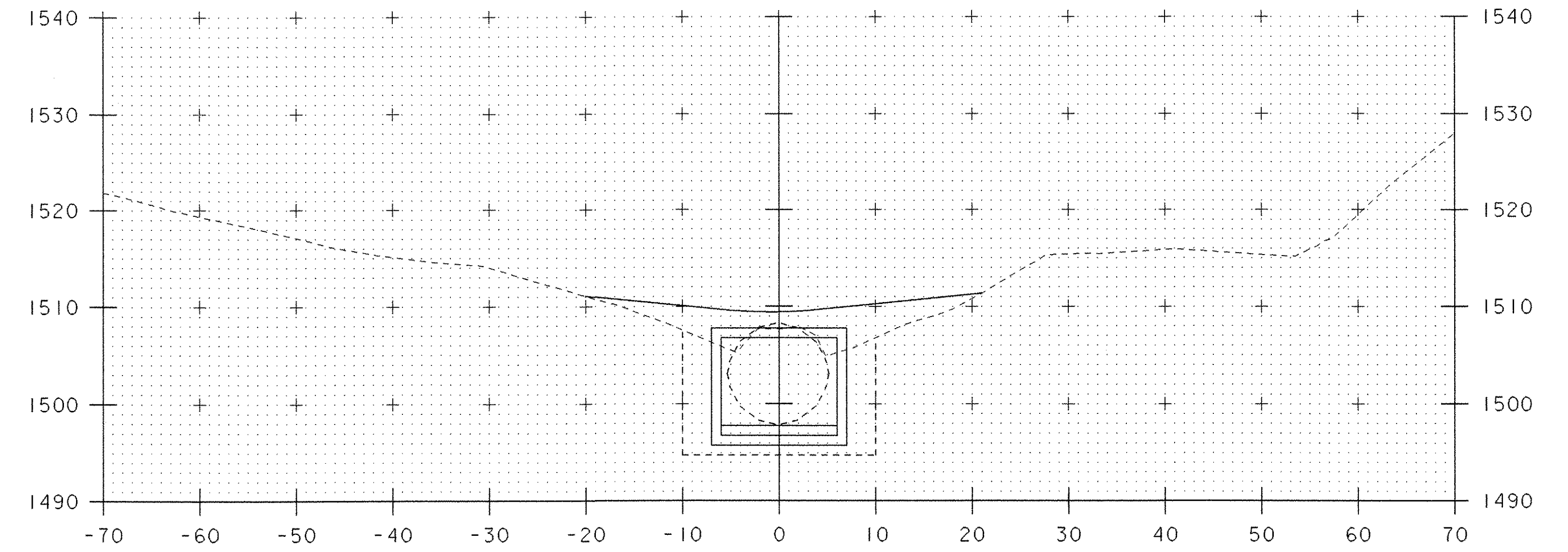


STA 12+80.00 LT
 BEGIN STONE FILL TYPE IV
 BEGIN GEOTEXTILE UNDER STONE FILL
 BEGIN GRUBBING MATERIAL
 BEGIN UNCLASSIFIED CHANNEL EXCAVATION

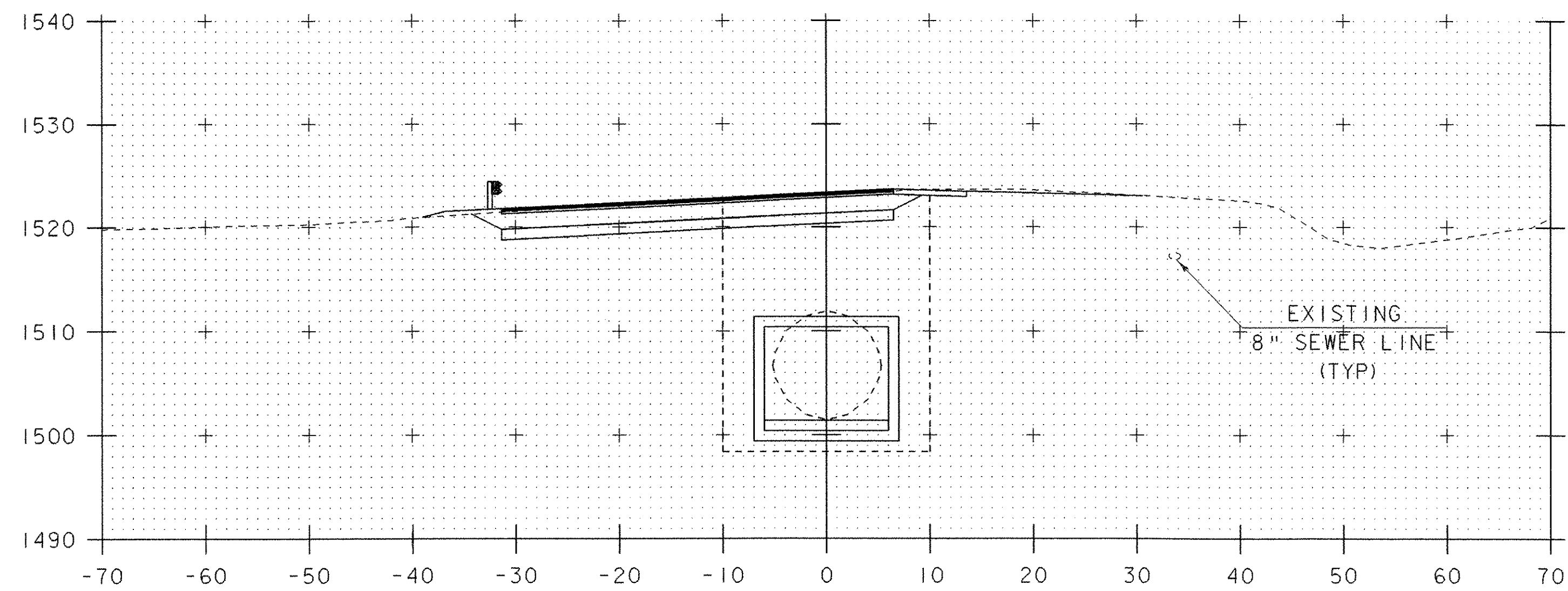
STA 12+80.00 RT
 BEGIN STONE FILL TYPE IV
 BEGIN GEOTEXTILE UNDER STONE FILL
 BEGIN GRUBBING MATERIAL
 BEGIN UNCLASSIFIED CHANNEL EXCAVATION



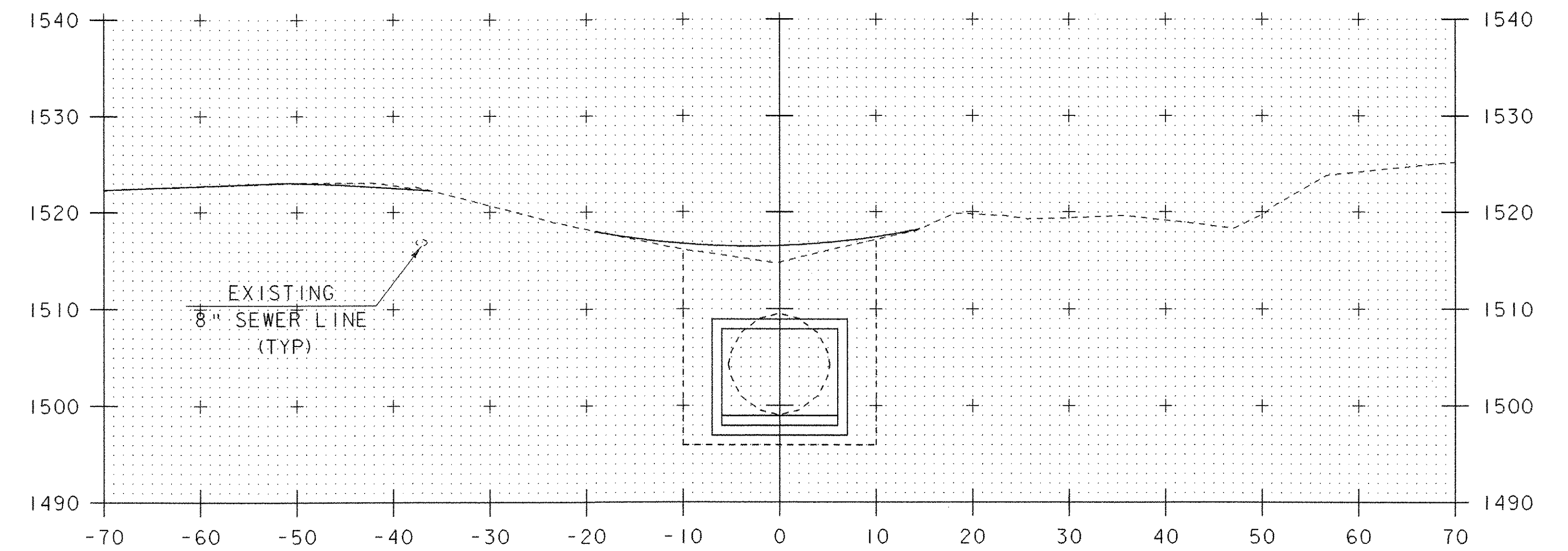
12+25



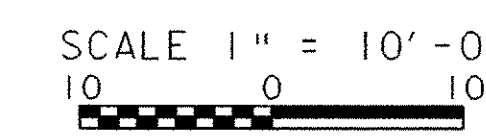
12+75



12+00



12+50



PROJECT: WHITINGHAM	PROJECT NO.: ST CULV (6)
DESIGN FILE NAME: 05c128/structures/s05c128xs.dgn	PLOT DATE: 08-MAR-2006
IPARM FILE NAME: s05c128ch3.i	DRAWN BY: E.L.RUSTAY
DESIGNED BY: E.L.RUSTAY	CHECKED BY: M.GAGULIC
SQUAD LEADER: C.P.WILLIAMS	SHEET: 24 OF 34
CHANNEL STA 12+00 - STA 12+75	