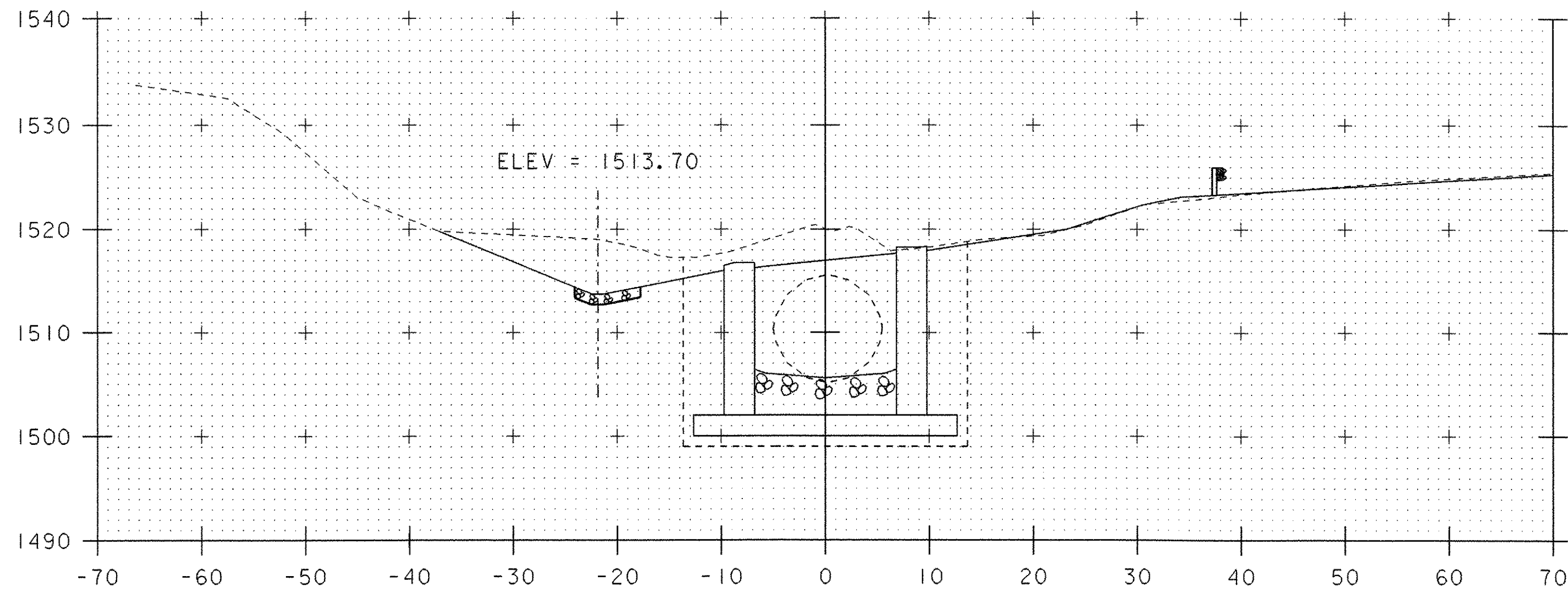
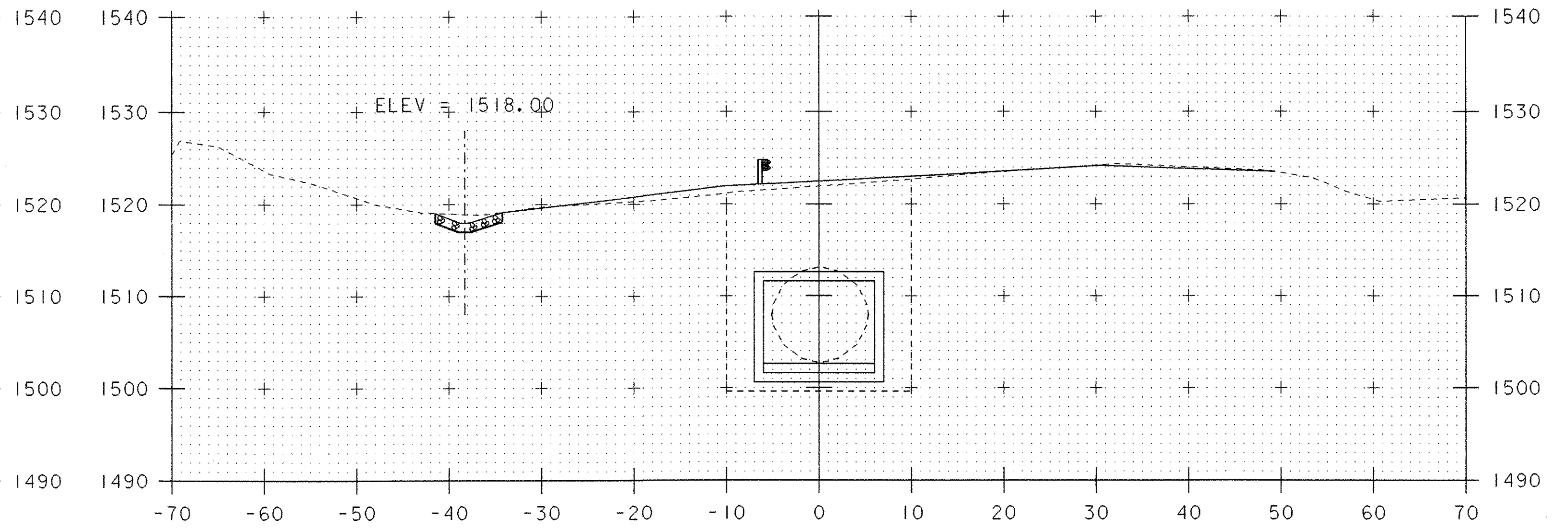


STA 11+26.00 LT
 END STONE FILL TYPE IV
 END GEOTEXTILE UNDER STONE FILL
 END GRUBBING MATERIAL
 END UNCLASSIFIED CHANNEL EXCAVATION

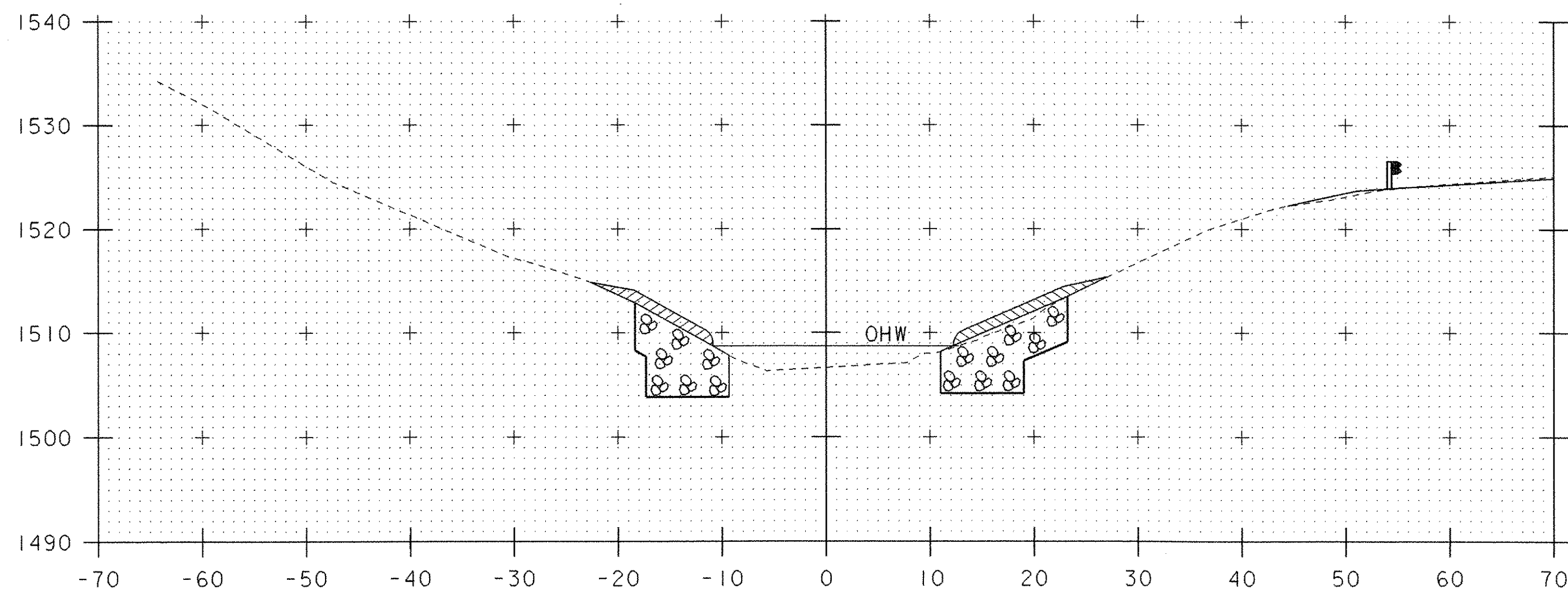
STA 11+26.00 RT
 END STONE FILL TYPE IV
 END GEOTEXTILE UNDER STONE FILL
 END GRUBBING MATERIAL
 END UNCLASSIFIED CHANNEL EXCAVATION



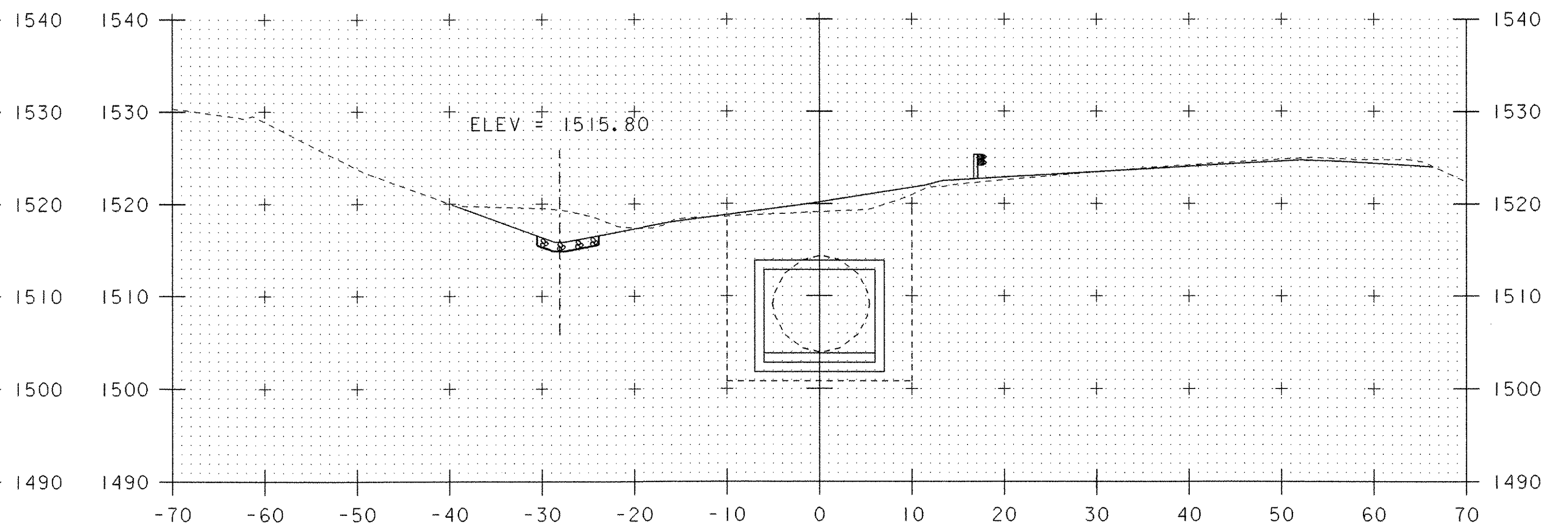
11+25



11+75



11+00



11+50

STA 10+98.00 LT
 BEGIN STONE FILL TYPE IV
 BEGIN GEOTEXTILE UNDER STONE FILL
 BEGIN GRUBBING MATERIAL
 BEGIN UNCLASSIFIED CHANNEL EXCAVATION

STA 10+99.00 RT
 BEGIN STONE FILL TYPE IV
 BEGIN GEOTEXTILE UNDER STONE FILL
 BEGIN GRUBBING MATERIAL
 BEGIN UNCLASSIFIED CHANNEL EXCAVATION

SCALE 1" = 10'-0"
 10 0 10

| | |
|---|-----------------------------|
| PROJECT: WHITINGHAM | PROJECT NO.: ST CULV (6) |
| DESIGN FILE NAME: 05c128/structures/s05c128xs.dgn | PLOT DATE: 08-MAR-2006 |
| IPARM FILE NAME: s05c128ch2.i | DRAWN BY: E.L.RUSTAY |
| DESIGNED BY: E.L.RUSTAY | CHECKED BY: M.GAGLIC |
| SQUAD LEADER: C.P.WILLIAMS | SHEET: 23 OF 34 |
| CHANNEL STA 11+00 - STA 11+75 | |