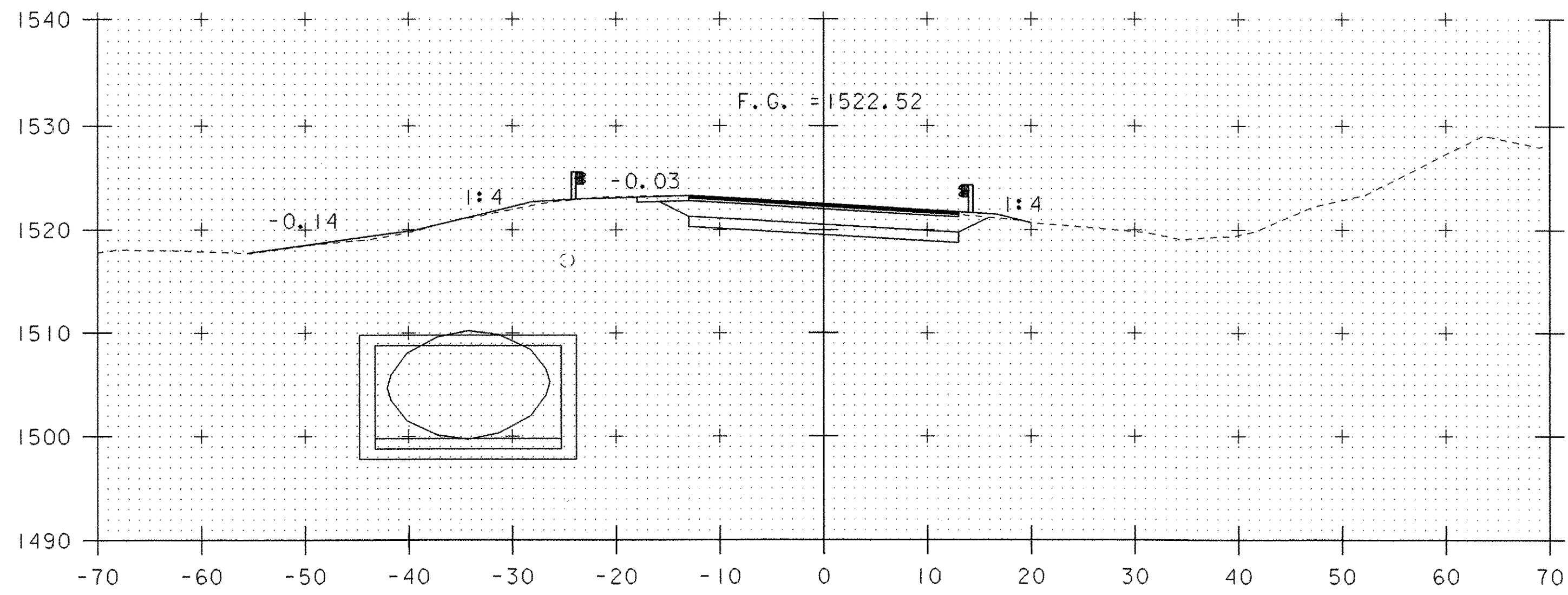
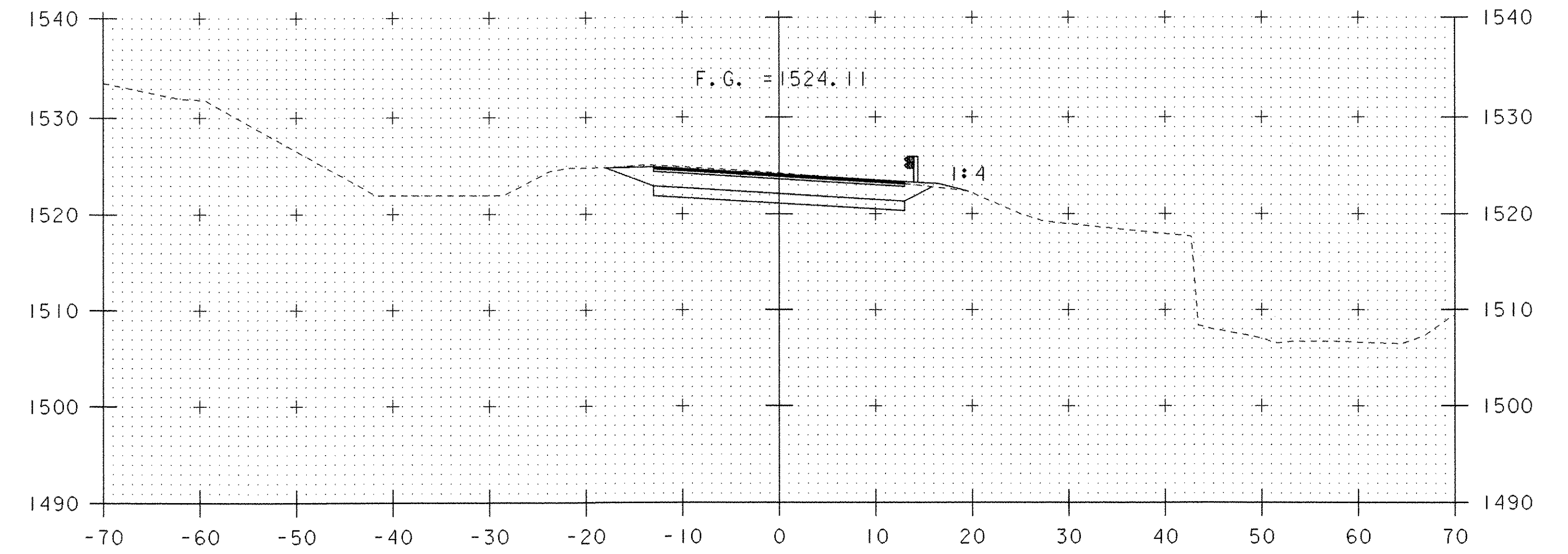


TEMPORARY BRIDGE APPROACH
 NOT SHOWN IN CROSS SECTION
 STA 4+62.00 - 5+02.00
 APPROXIMATELY 40' X 5' X 15'

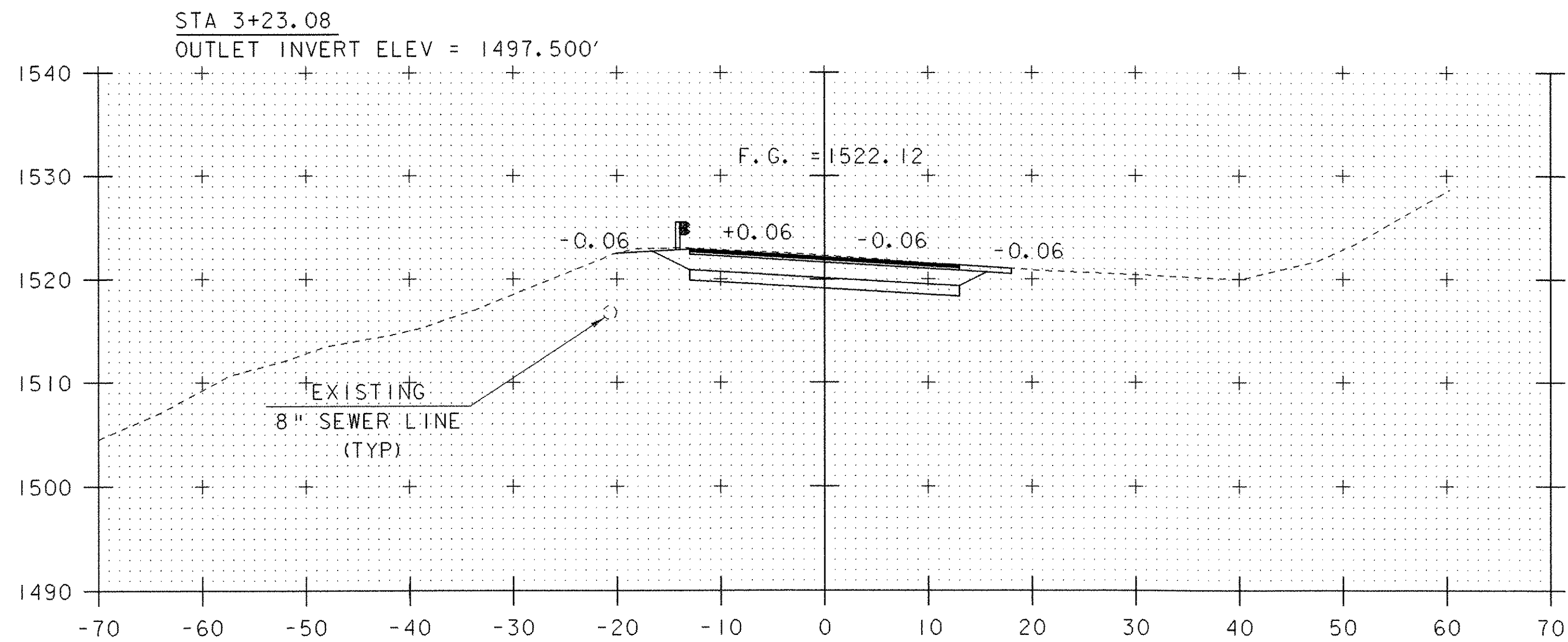


3+50



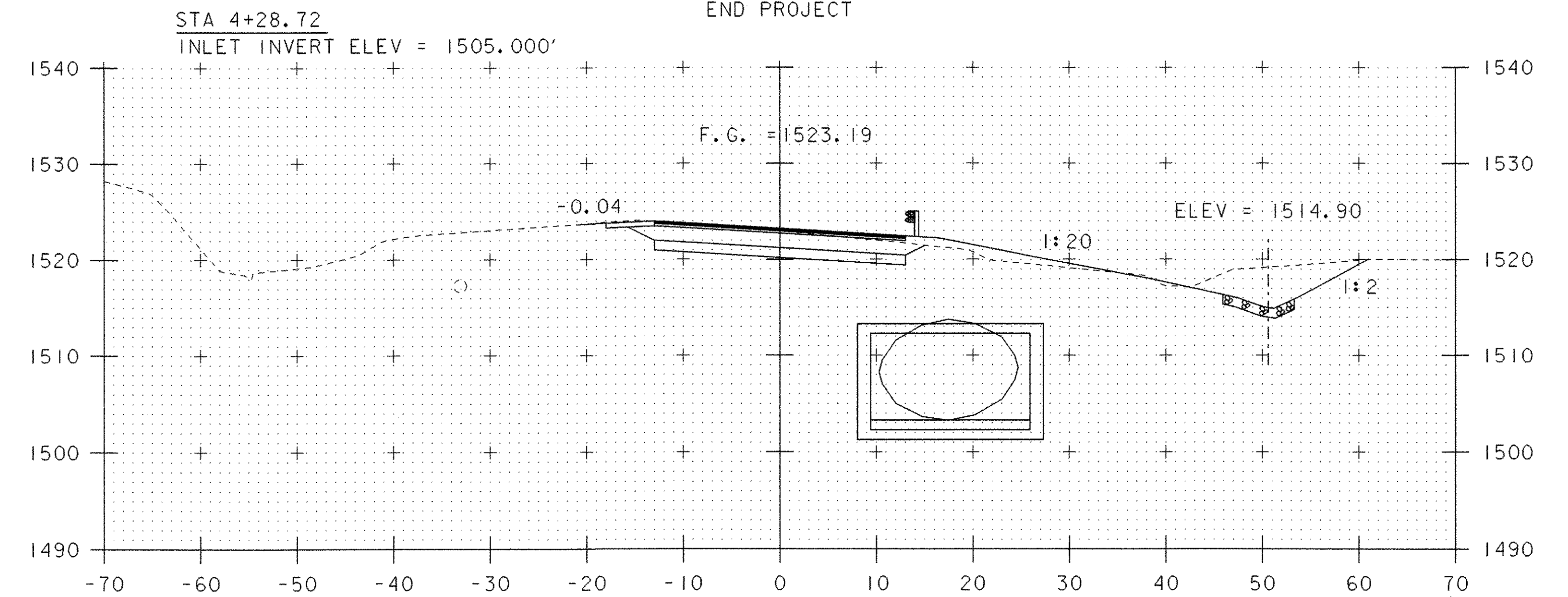
4+50

END PROJECT



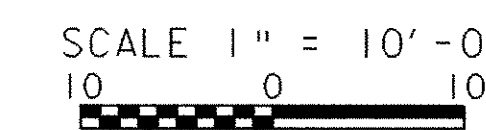
3+00

BEGIN PROJECT



4+00

TEMPORARY BRIDGE APPROACH
 NOT SHOWN IN CROSS SECTION
 STA 3+00.00 - 3+50.00
 APPROXIMATELY 50' X 5' X 15'



PROJECT: WHITINGHAM	PROJECT NO.: ST CULV (6)
DESIGN FILE NAME: 05c128/structures/s05c128xs.dgn	PLOT DATE: 08-MAR-2006
IPARM FILE NAME: s05c128m12.i	DRAWN BY: E.L.RUSTAY
DESIGNED BY: E.L.RUSTAY	CHECKED BY: M.GAGULIC
SQUAD LEADER: C.P.WILLIAMS	SHEET: 20 OF 34
MAINLINE STA 3+00 - STA 4+50	