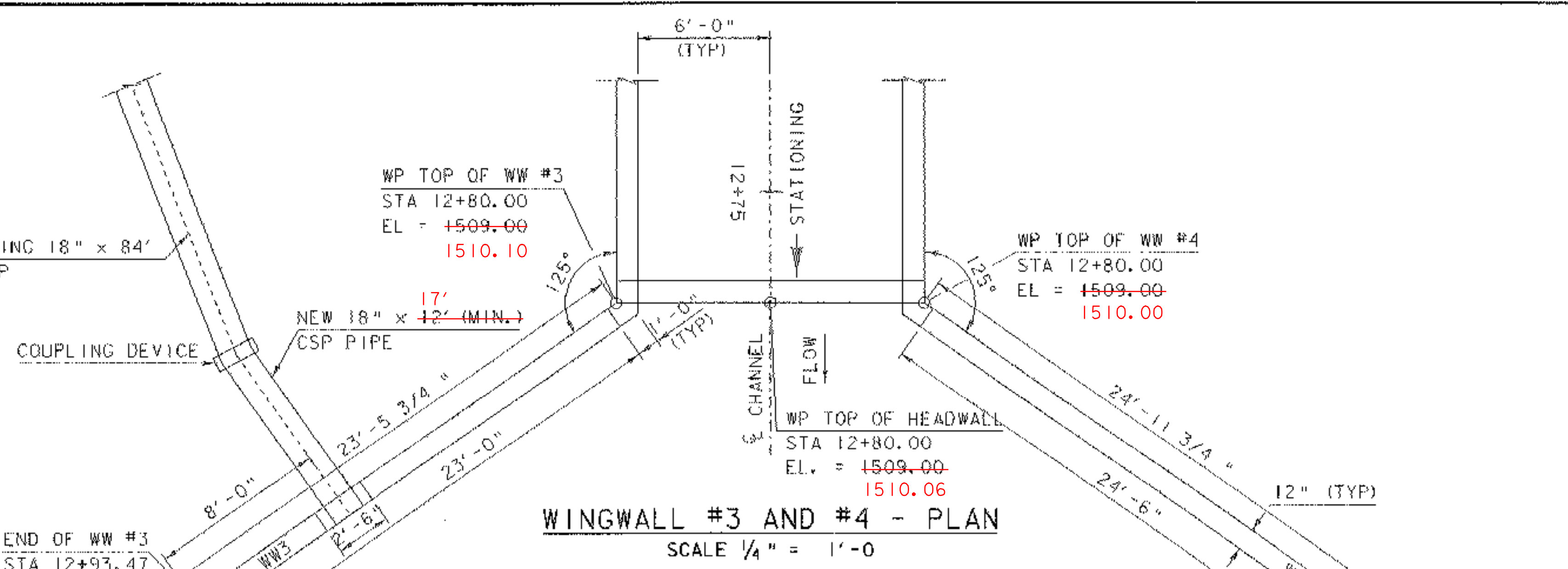
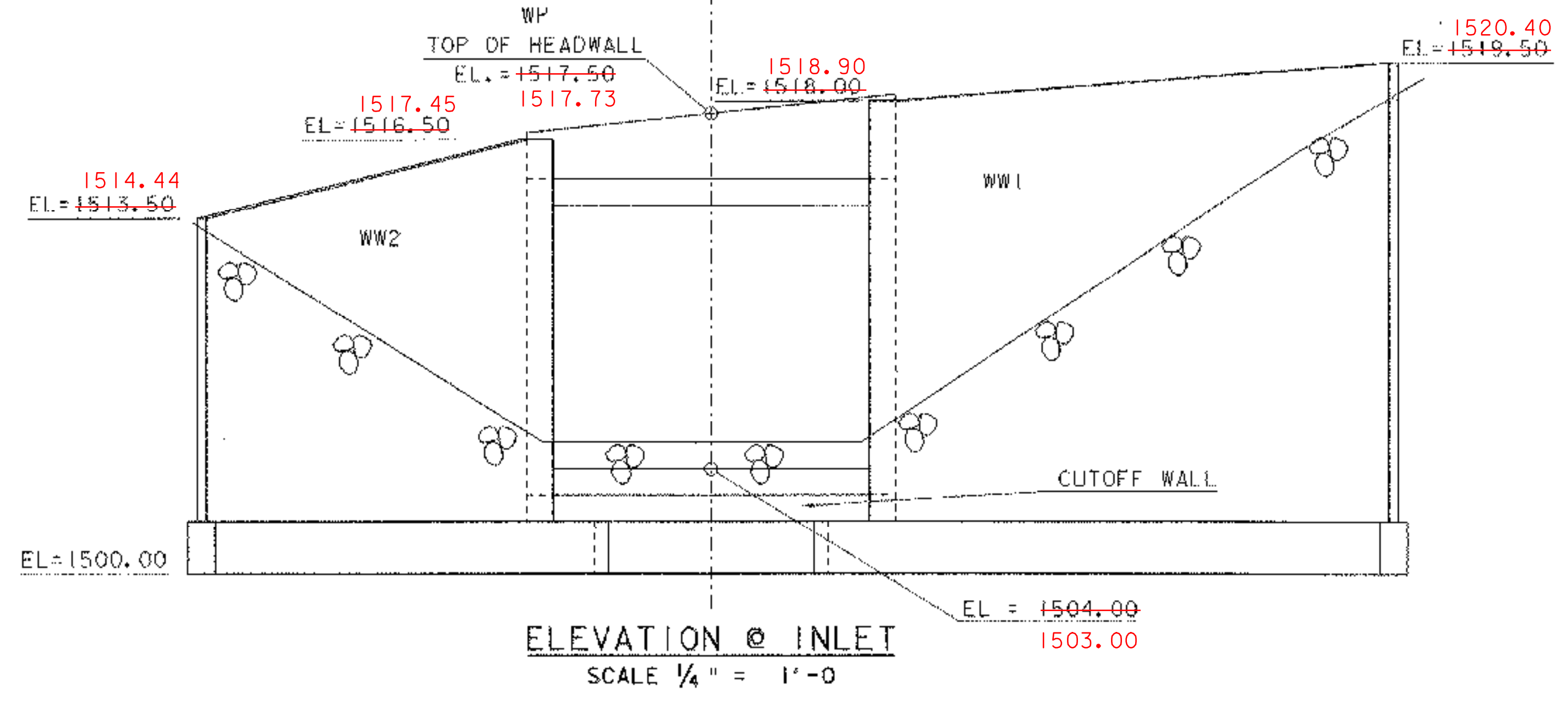


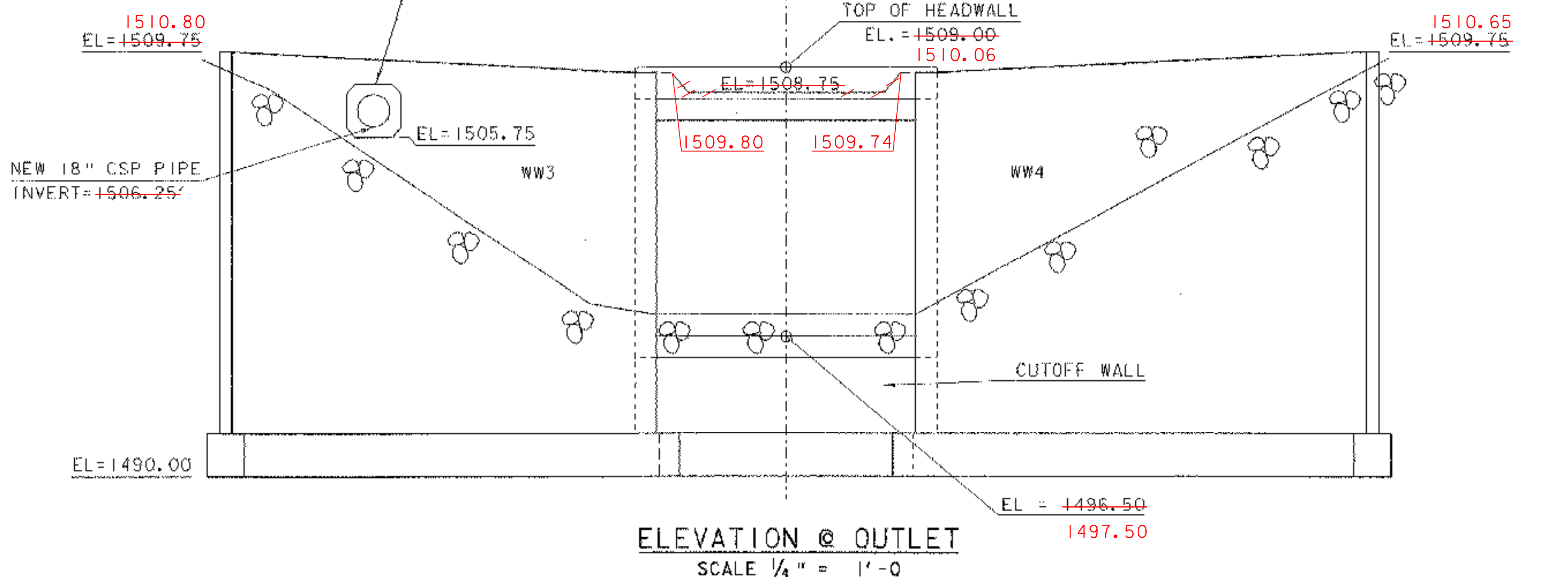
**WINGWALL #1 AND #2 - PLAN**  
SCALE 1/4" = 1'-0



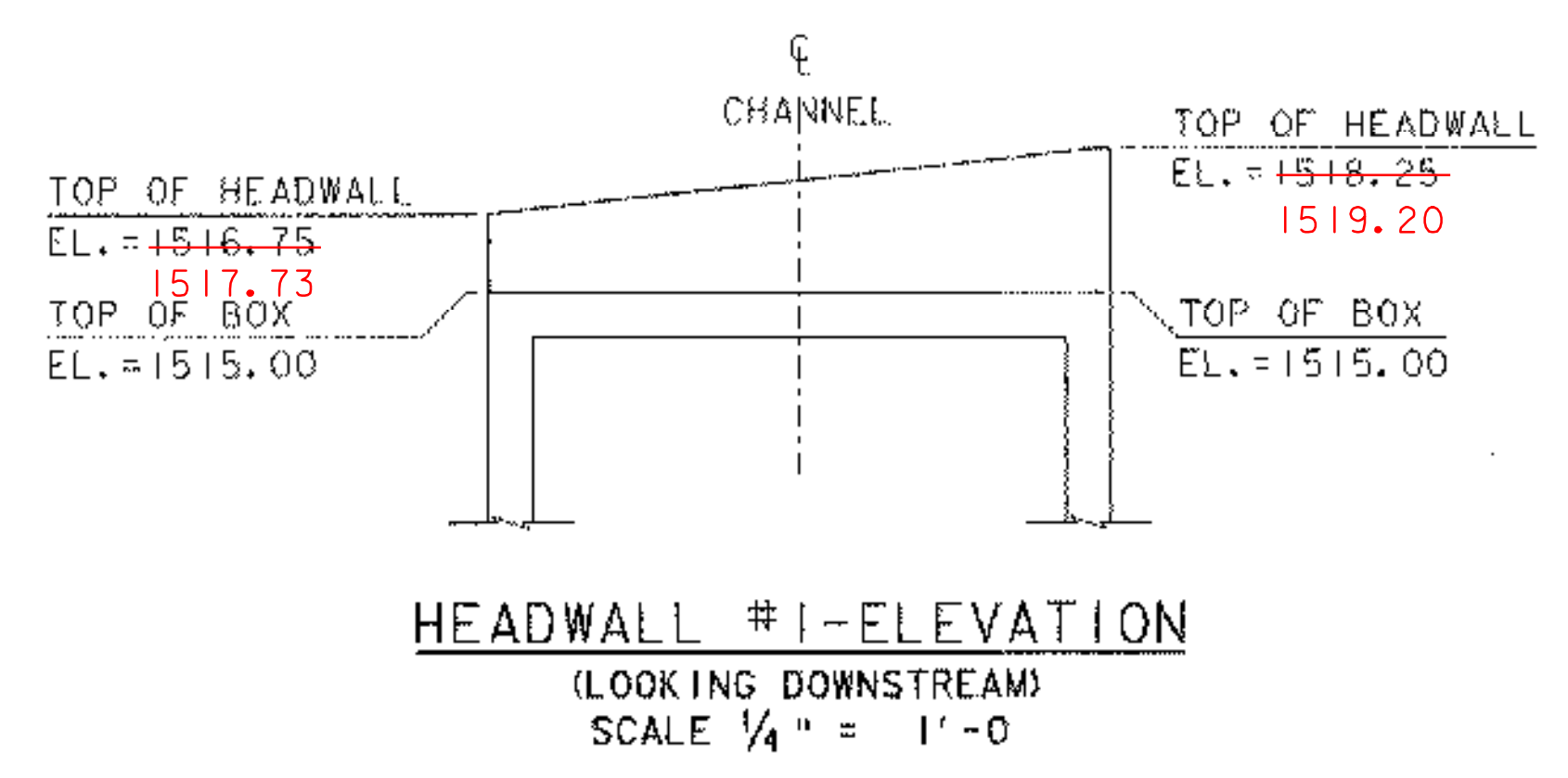
**WINGWALL #3 AND #4 - PLAN**  
SCALE 1/4" = 1'-0



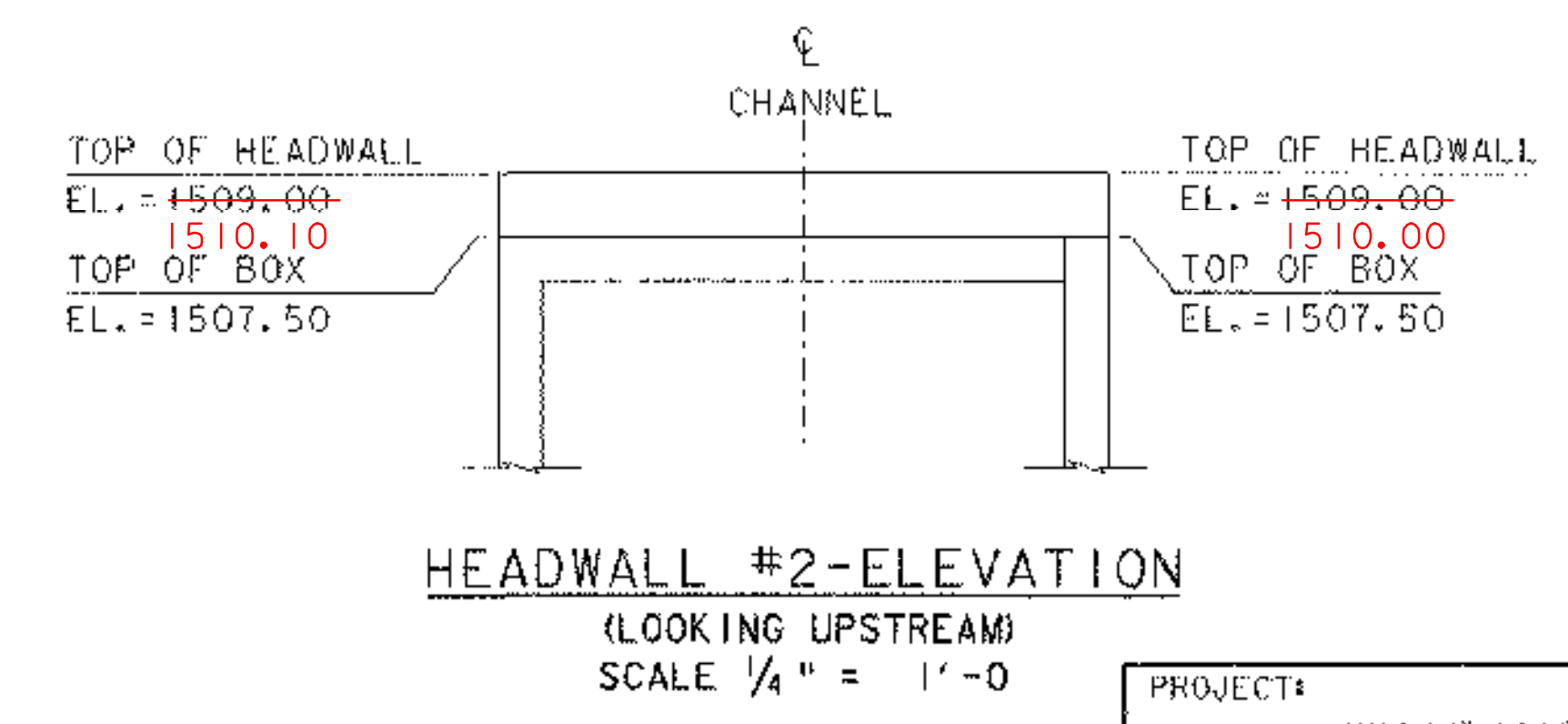
**ELEVATION @ INLET**  
SCALE 1/4" = 1'-0



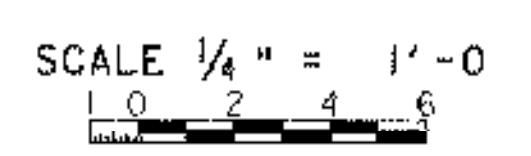
**ELEVATION @ OUTLET**  
SCALE 1/4" = 1'-0



**HEADWALL #1-ELEVATION**  
(LOOKING DOWNSTREAM)  
SCALE 1/4" = 1'-0



**HEADWALL #2-ELEVATION**  
(LOOKING UPSTREAM)  
SCALE 1/4" = 1'-0



PROJECT:	WHITINGHAM	PROJECT NO.:	ST CULV (6)
DESIGN FILE NAME:	05c128/structures/s05c128pipepro.dgn	PLOT DATE:	08-MAR-2006
IPARM FILE NAME:	05c128ww.f	DRAWN BY:	M.FESSEL
DESIGNED BY:	E.L.RUSTAY	CHECKED BY:	M.GAGULIC
SQUAD LEADER:	C.P.WILLIAMS		
WINGWALL DETAILS		SHEET:	15 OF 34