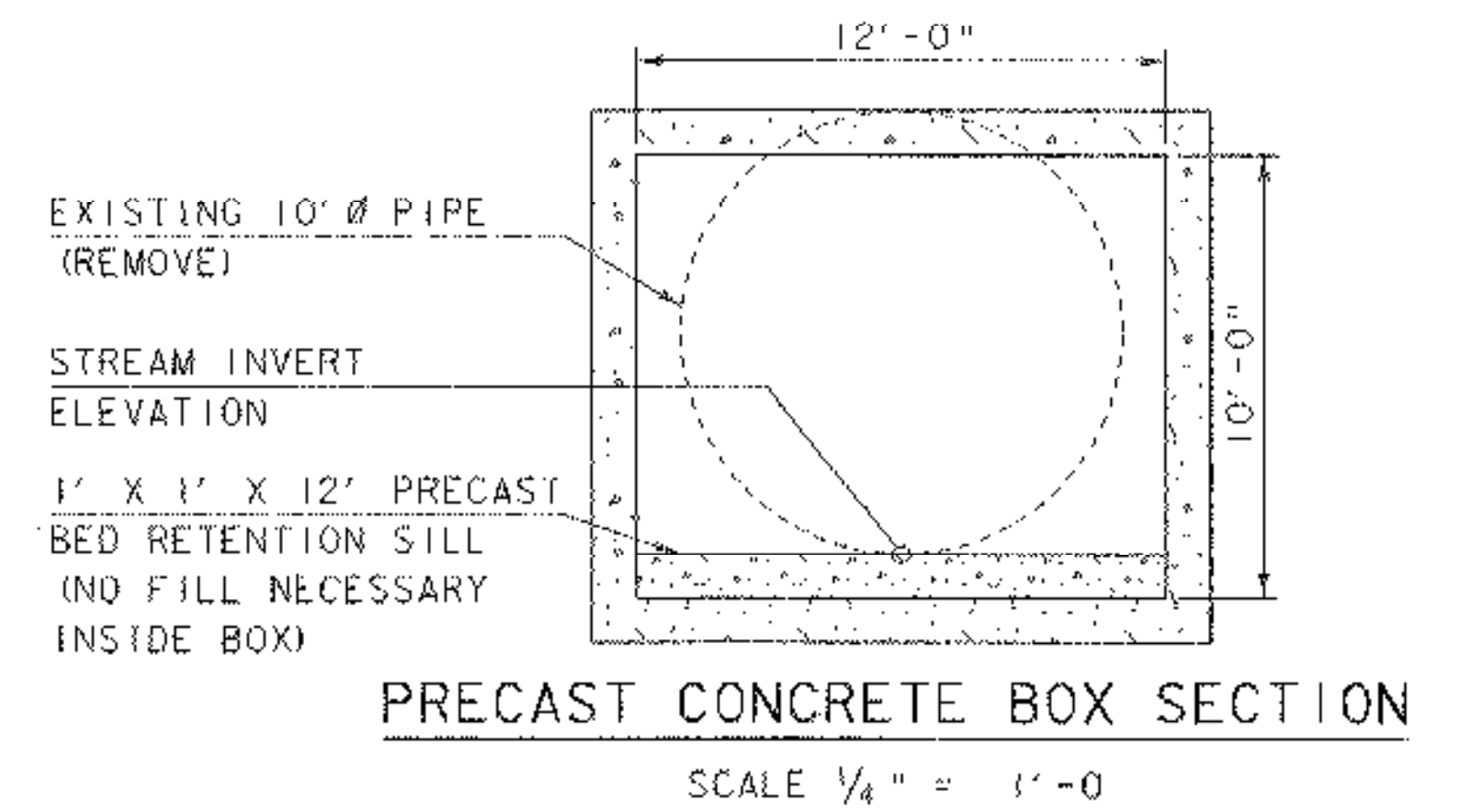
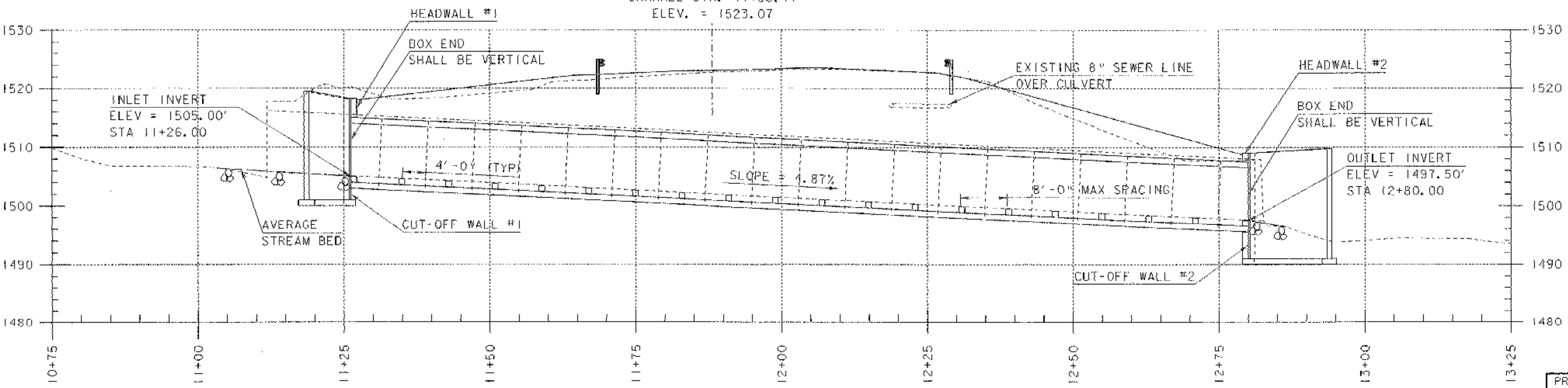


PRECAST CONCRETE BOX LAYOUT
SCALE 1" = 10'-0"

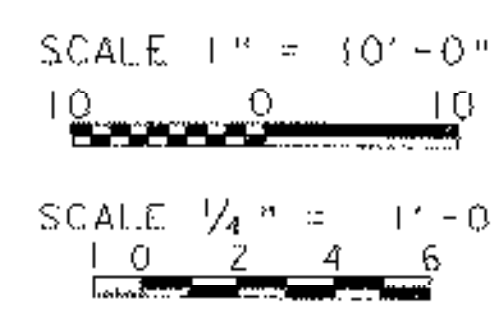


\bar{C}
VT 100
MAINLINE STA. 3+81.61
CHANNEL STA. 11+88.17
ELEV. = 1523.07



PRECAST CONCRETE BOX ELEVATION VIEW
(ALONG \bar{C} BOX)
SCALE 1" = 10'-0"

ALL GRADES FOR THE BOX CULVERT AND WINGWALLS WERE RAISED 1'-0".



PROJECT: WHITINGHAM	PROJECT NO.: ST CULV (6)
DESIGN FILE NAME: 05c128/structures/s05c128pipepro.dgn	PLOT DATE: 08-MAR-2006
IPARM FILE NAME: 05c128pipepro.i	DRAWN BY: E.L. RUSTAY
DESIGNED BY: E.L. RUSTAY	CHECKED BY: M. GAGULIC
SQUAD LEADER: C.P. WILLIAMS	SHEET: 12 OF 34
CULVERT PROFILE & BOX DETAIL	