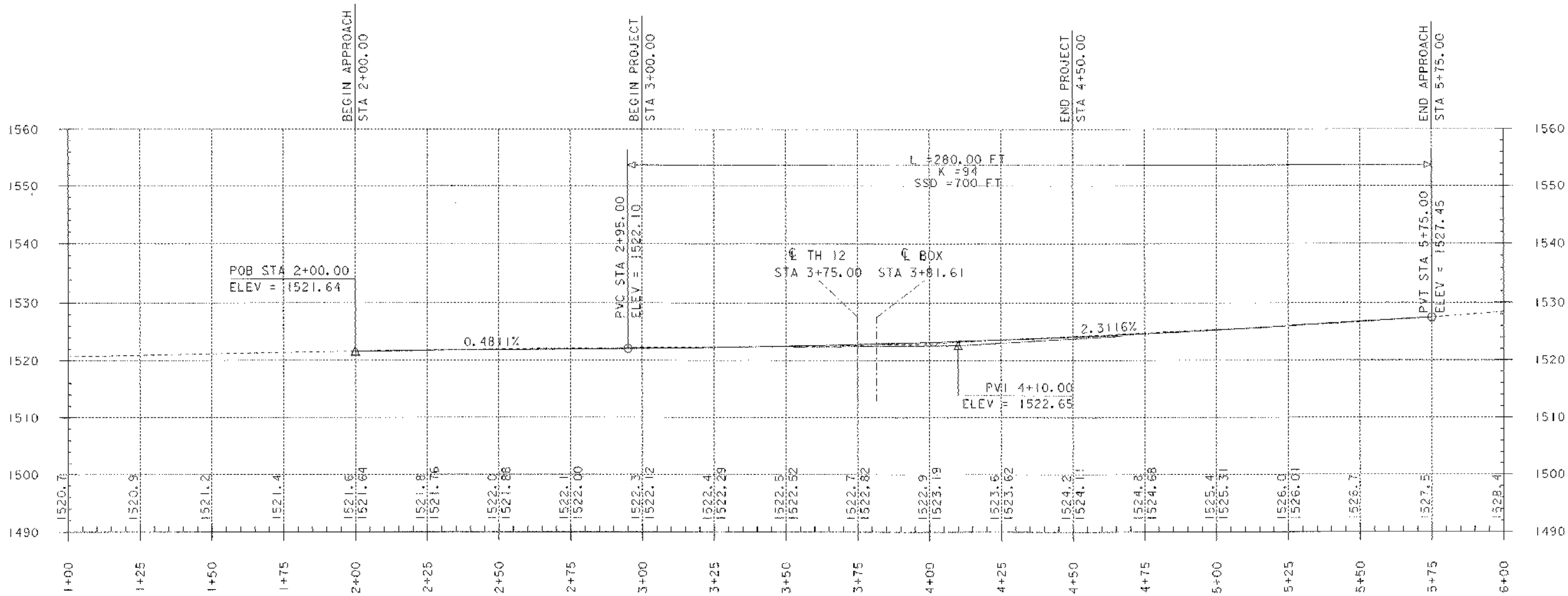
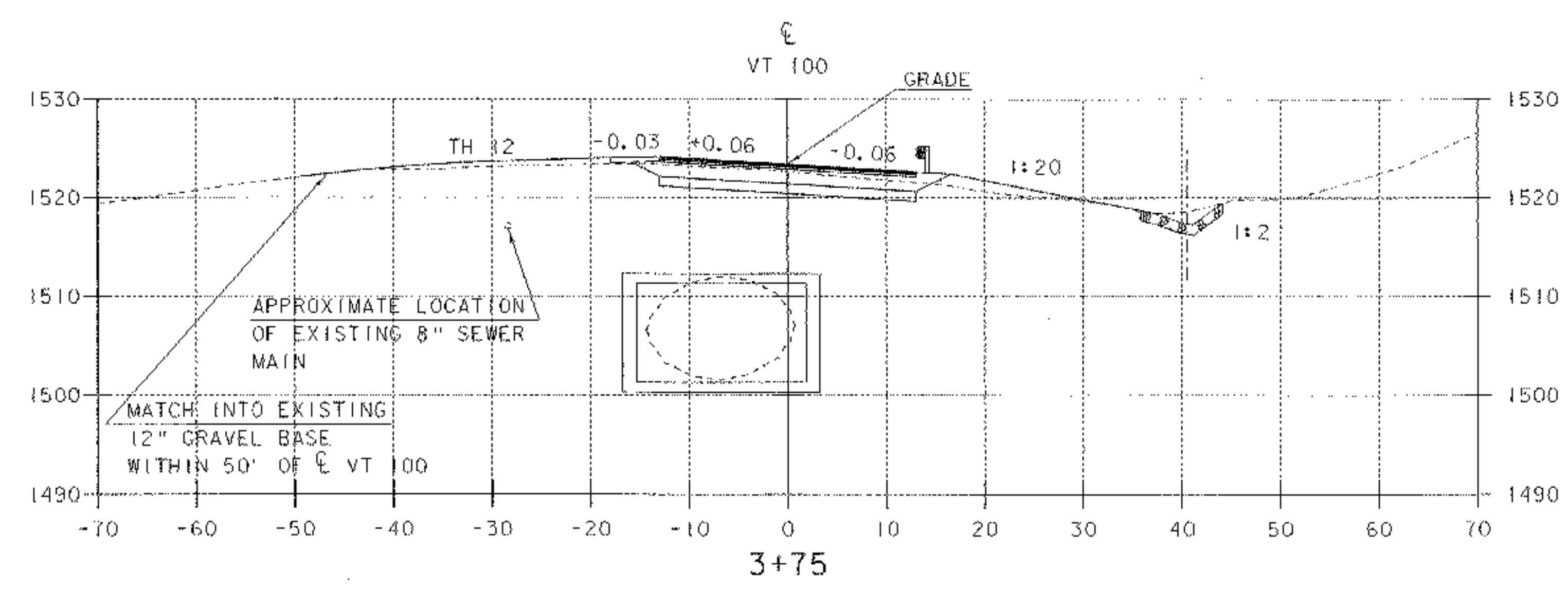
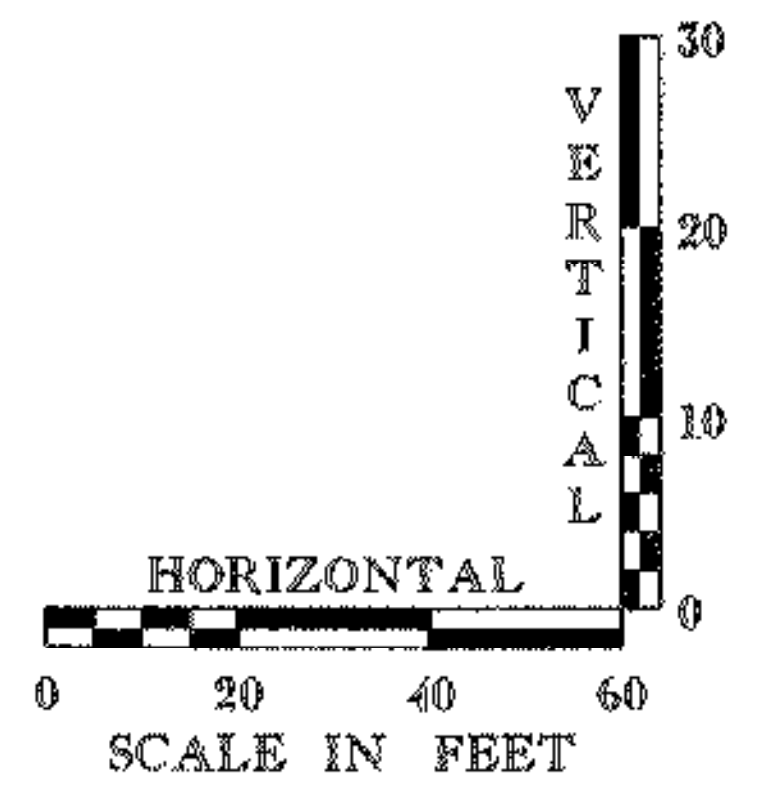


# VT 100 MAINLINE PROFILE



**NOTES:**  
 GRADES SHOWN TO THE NEAREST TENTH ARE EXISTING GROUND ALONG  $\phi$ .  
 GRADES SHOWN TO THE NEAREST HUNDREDTH ARE PROPOSED GROUND ALONG  $\phi$ .



**MAINLINE CROSS SECTION VT 100  
 @ INTERSECTION OF TH12**

SCALE 1" = 10'  
 10 0 10

PROJECT: <b>WHITINGHAM</b>	PROJECT NO.: <b>ST CULV (6)</b>
DESIGN FILE NAME: 05c128/structures/s05c128pro.dgn	
IPARM FILE NAME: s05c128pro.i	PLOT DATE: 08-MAR-2006
DESIGNED BY: E. L. RUSTAY	DRAWN BY: E. L. RUSTAY
SQUAD LEADER: C. P. WILLIAMS	CHECKED BY: M. GAGULIC
VT 100 PROFILE & SECTION @ TH12	SHEET: 10 OF 34