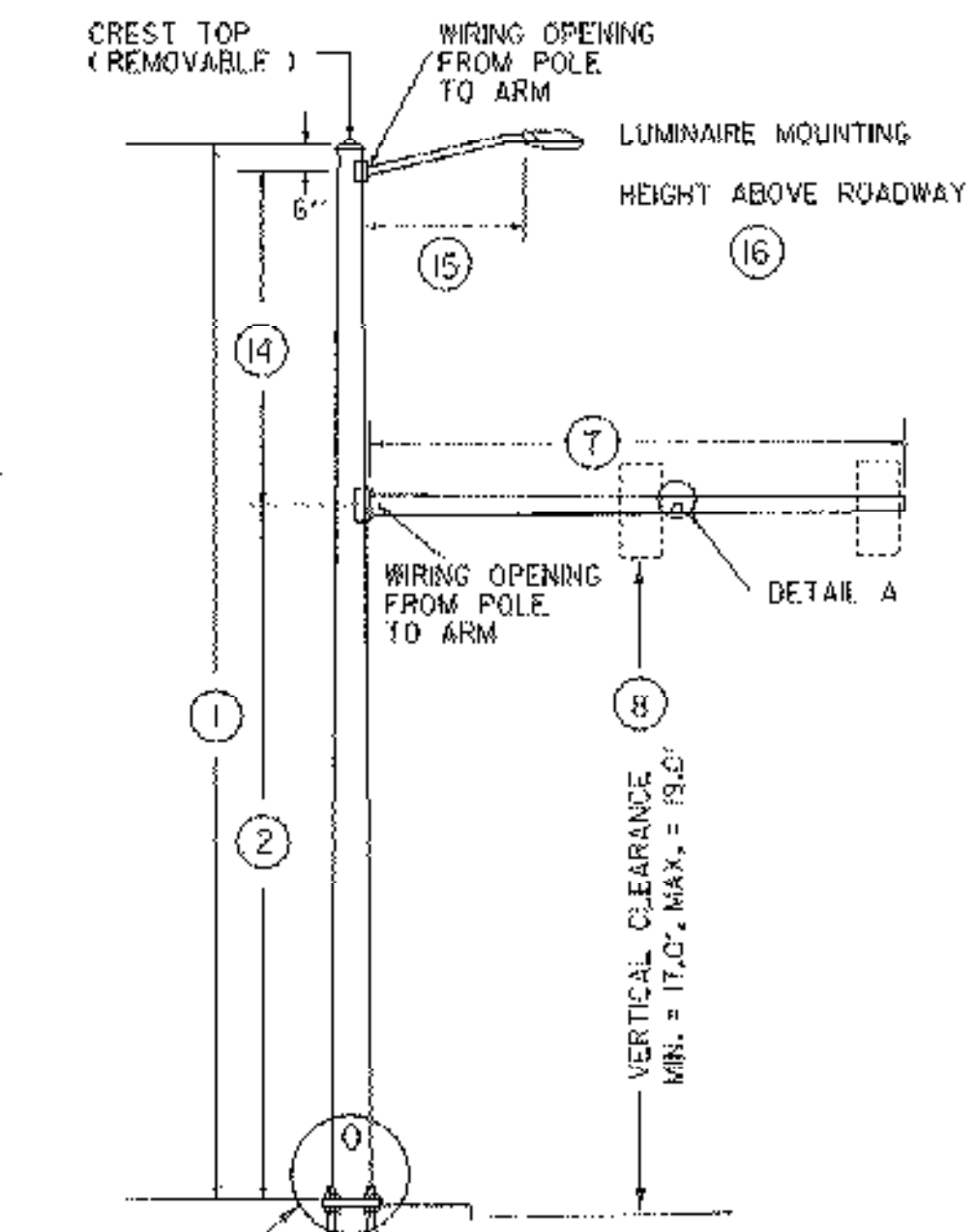
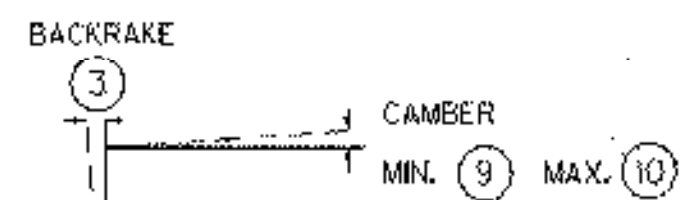


TYPE A



TYPE B

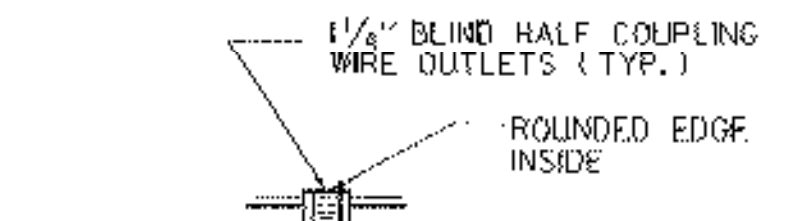


CAMBER AND BACKRAKE DATA
MIN. CAMBER = PERMANENT LOAD DEFLECTION
CAMBER OF 3% PLUS DEAD

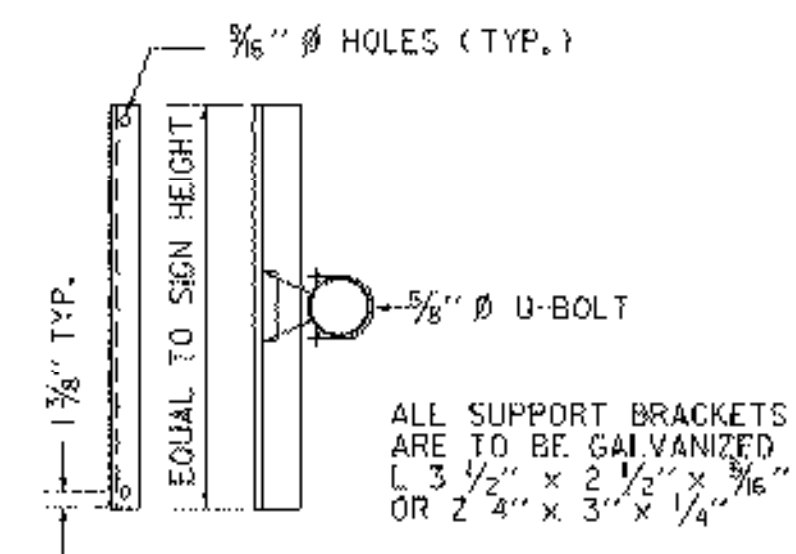
- POLE BASE DIAMETER (4)
- POLE GAUGE (5)
- POLE TAPER RATE (6)
- ARM DIAMETER (11)
- ARM GAUGE (12)
- ARM TAPER RATE (13)



CAMBER AND BACKRAKE DATA
MIN. CAMBER = PERMANENT LOAD DEFLECTION
CAMBER OF 3% PLUS DEAD

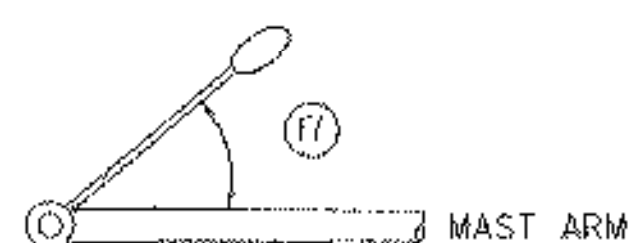


DETAIL A



ALL SUPPORT BRACKETS ARE TO BE GALVANIZED
L 3 1/2" x 2 1/2" x 5/8"
OR 2 4" x 3" x 1/4"

SIGN BRACKET DETAILS

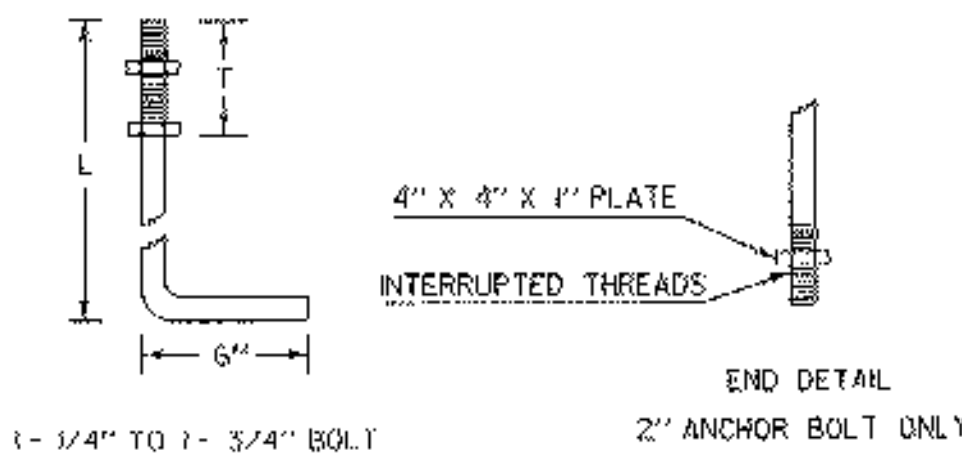


LUMINAIRE ORIENTATION

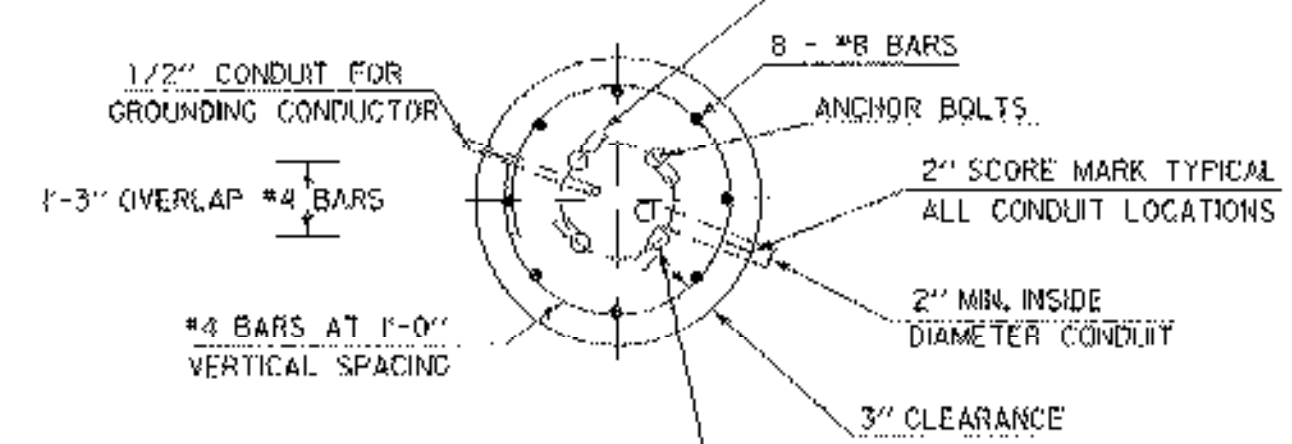


LUMINAIRE ARM RISE

ANCHOR BOLT DETAIL		
SIZE	L (IN)	T (IN)
1- 1/4" X 48"	42	8
1- 1/2" X 60"	54	9
1- 3/4" X 80"	84	9
2" X 96"	96	9



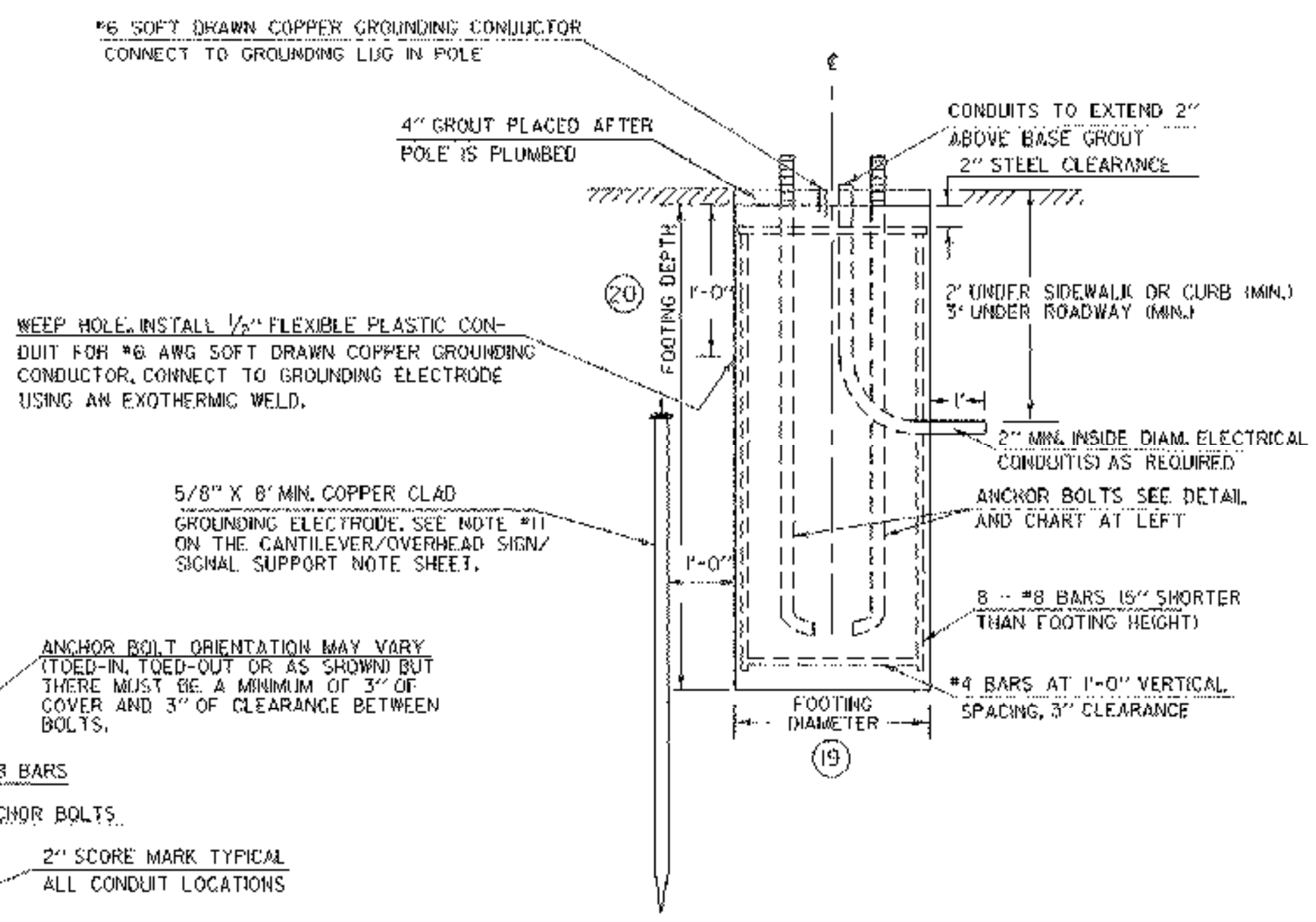
ANCHOR BOLT DETAIL



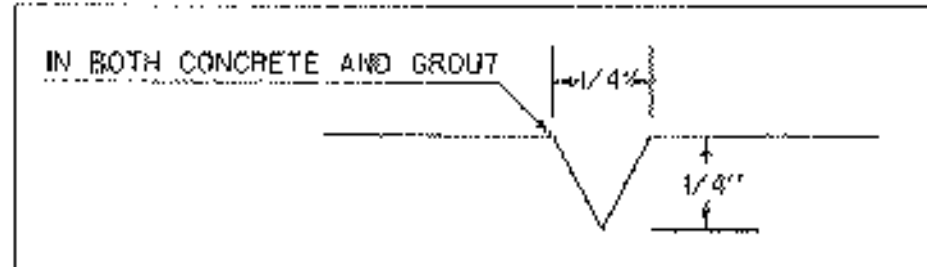
SECTION

CANTILEVER FOOTING DETAIL

(SPREAD FOOTINGS OR PILES ARE OPTIONAL)

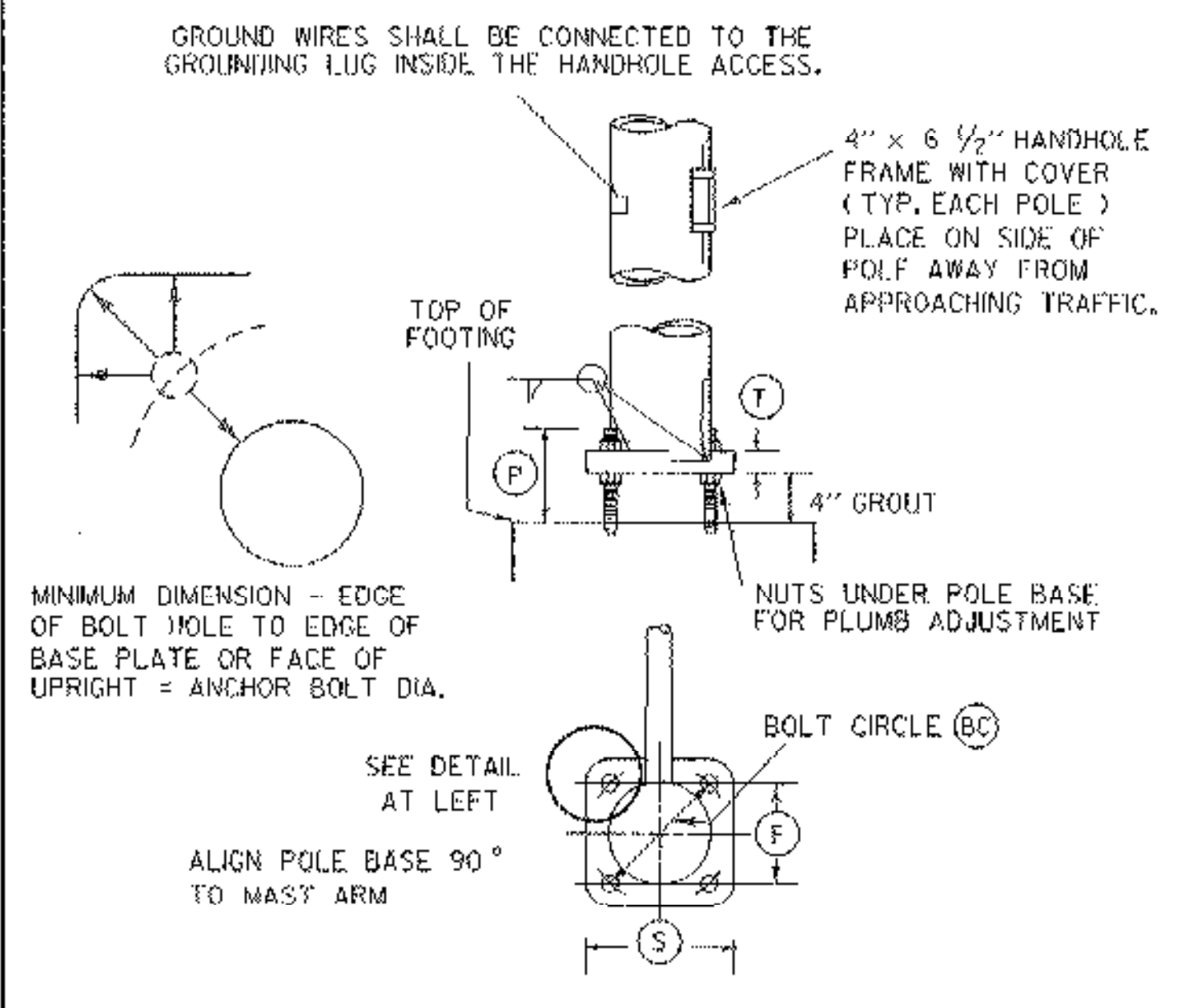


ELEVATION



2" SCORE MARK DETAIL

STRUCTURE DIMENSIONS																												
POLE	TYPE	POLE DATA						ARM DATA						LIGHTING DATA				FOOTING DATA		BASE PLATE / BOLT DATA								
		1	2	3	4	5	6	7	8	9	10	11	12	13	14	15	16	17	18	19	20	BC	F	S	T	P	ANCHOR BOLT SIZE	
MAP1	A	21'	20'		11"	7		35'	18'-6"	3"		9"	7							3'	3'-6"	15"		16.5"	1.5"		1 1/4" X 48"	
MAP2	A	21'	20'		12"	7		35'	18'-1"	3"		9"	7							3'	3'-6"	16"		17"	1.5"		1 1/4" X 48"	



POLE BASE AND BASE PLATE DETAIL

NOTE: DETAILS NTS SINGLE MAST ARM CANTILEVER WITH LIGHTING / FOOTING DETAIL SHEET

PREPARED BY E. MCAVOY DATE _____
 CHECKED BY _____ DATE _____
 DESIGN SUPERVISOR JLS DATE _____
 PROJ. **WATERBURY NHG SGNL (27)**
 PLOYTFD:13-NOV 2007
 LAST REVISED 8/15/95
 SHEET 10 OF 13 SHEETS