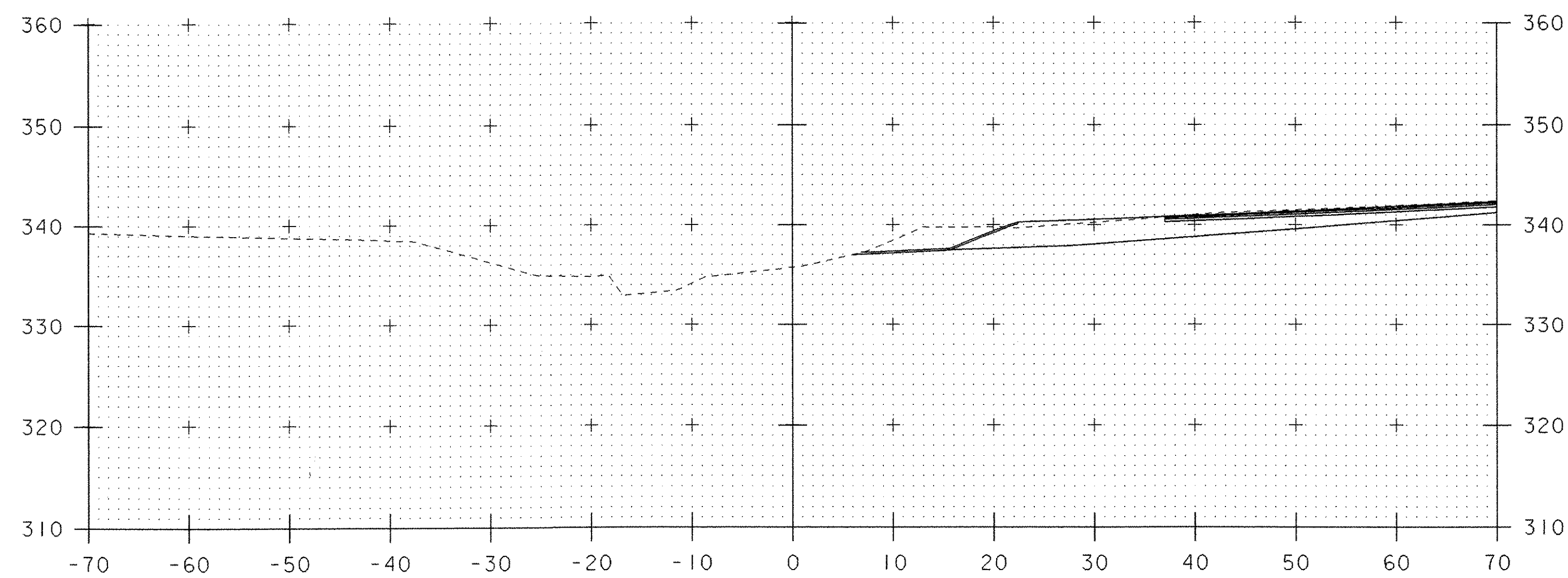
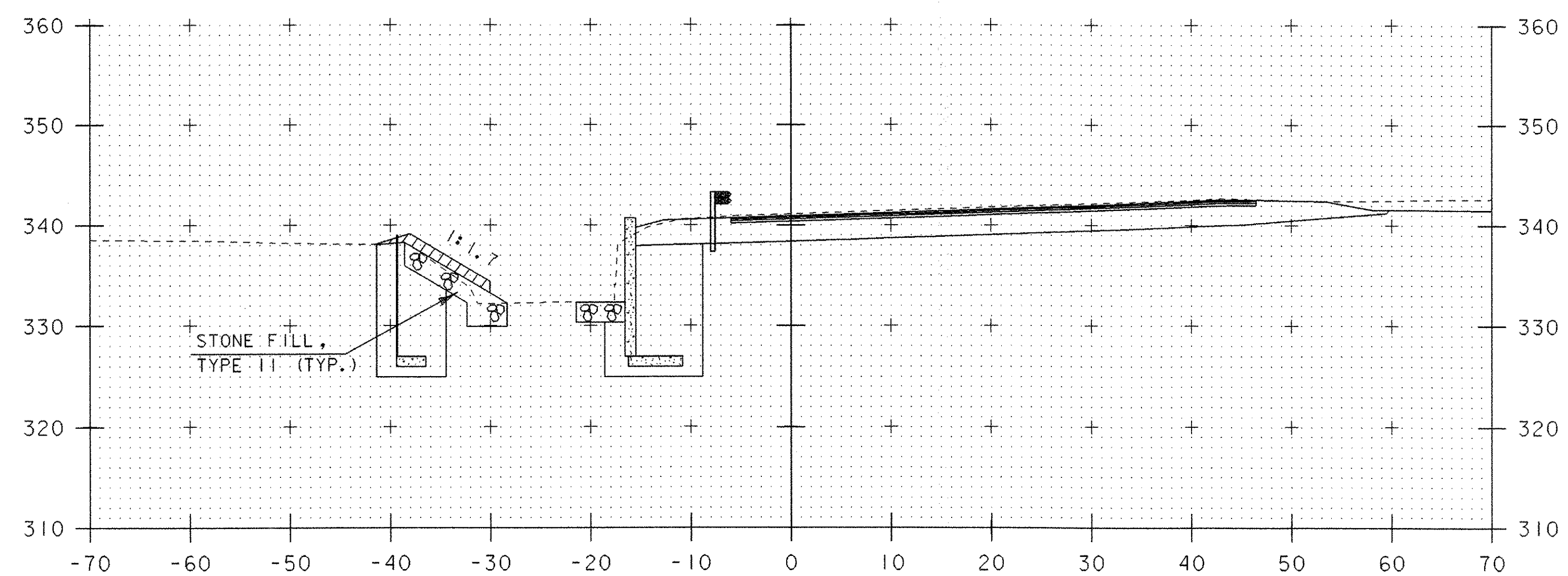


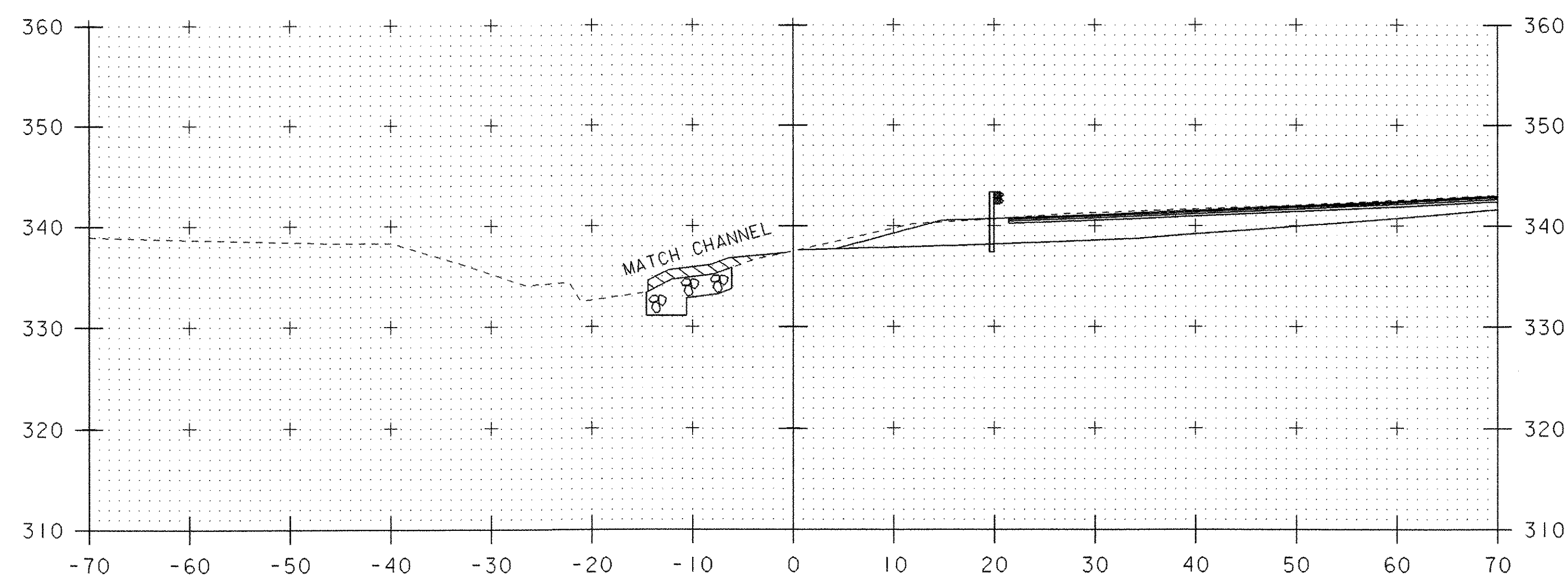
51+25
CHANNEL SLOPE AT END WW#3



51+40



51+13
WW#3 CONNECTION TO BOX
AND SLOPE AT END OF WW#1



51+30

STA. 51+20 LT AND 51+30 RT
END STONE FILL, CULVERT LINING
END GEOTEXTILE UNDER STONE FILL
END GRUBBING MATERIAL
END UNCLASSIFIED CHANNEL EXCAVATION

CHANNEL SECTIONS 4

PROJECT NAME: BRISTOL
PROJECT NUMBER: ER ST 021-1(22)

FILE NAME: s05bl26\STR\s05bl26xs.dgn PLOT DATE: 20-MAR-2007
PROJECT LEADER: M. EVANS-MONGEON DRAWN BY: G. ROKES
DESIGNED BY: M. EVANS-MONGEON CHECKED BY: G. ROKES
IPARM s05bl26cx4.1 SHEET 65 OF 66