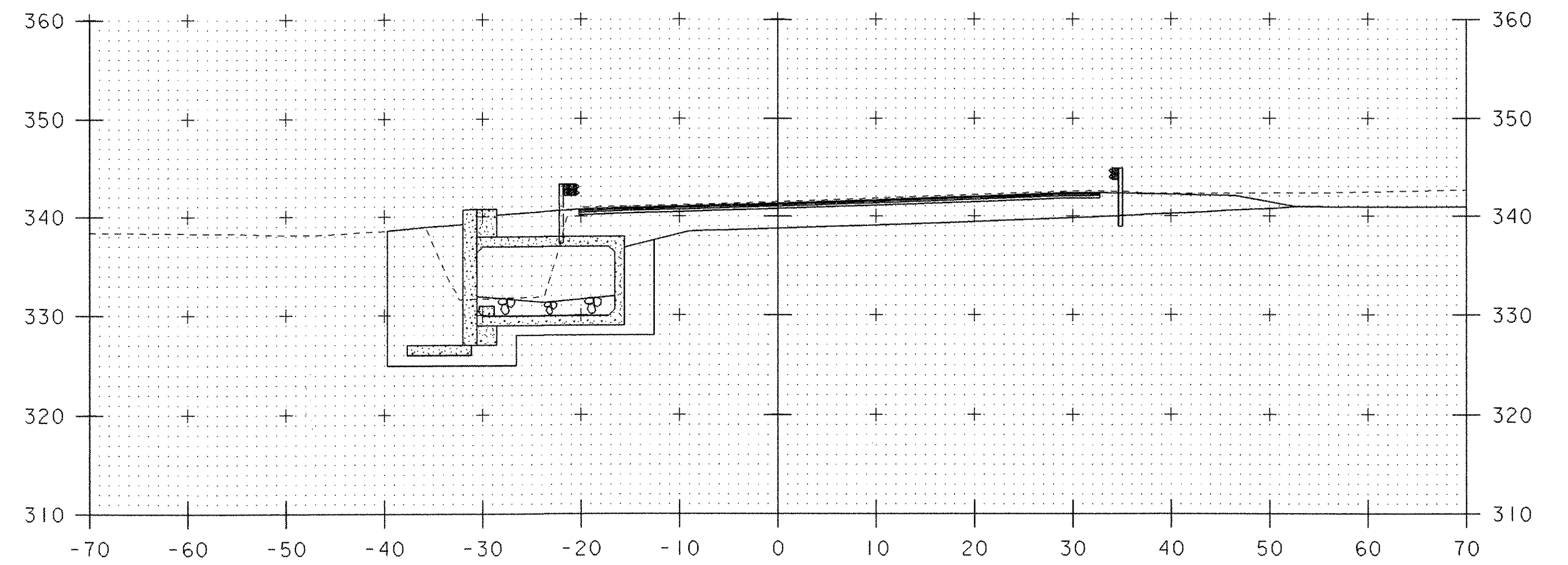
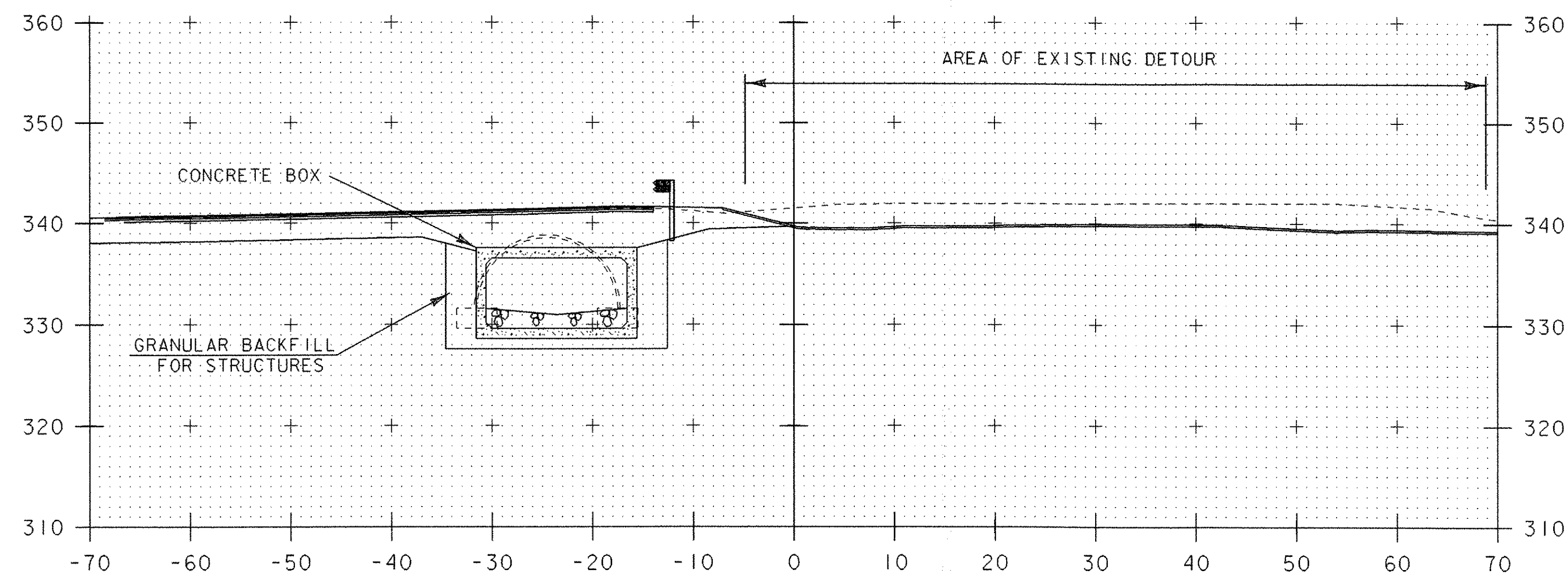


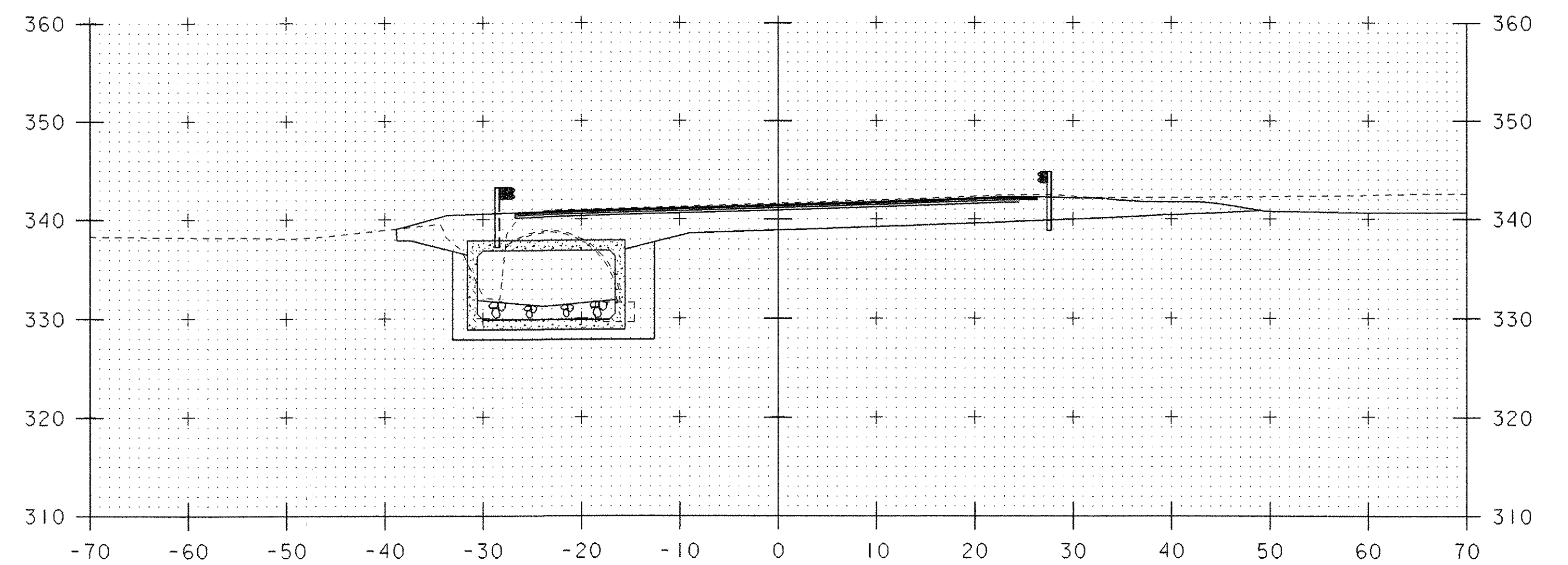
50+86



51+04
WW#1 CONNECTION TO BOX



50+75



51+00

STA. 51+05 LT AND STA. 51+10 RT
 BEGIN STONE FILL, CULVERT LINING
 BEGIN GEOTEXTILE UNDER STONE FILL
 BEGIN GRUBBING MATERIAL
 BEGIN UNCLASSIFIED CHANNEL EXCAVATION

CHANNEL SECTIONS 3

PROJECT NAME: BRISTOL
 PROJECT NUMBER: ER ST 021-1(22)

FILE NAME: 05bl26\STR\s05bl26xs.dgn PLOT DATE: 20-MAR-2007
 PROJECT LEADER: M. EVANS-MONGEON DRAWN BY: G. ROKES
 DESIGNED BY: M. EVANS-MONGEON CHECKED BY: G. ROKES
 IPARM s05bl26cx3.1 SHEET 64 OF 66