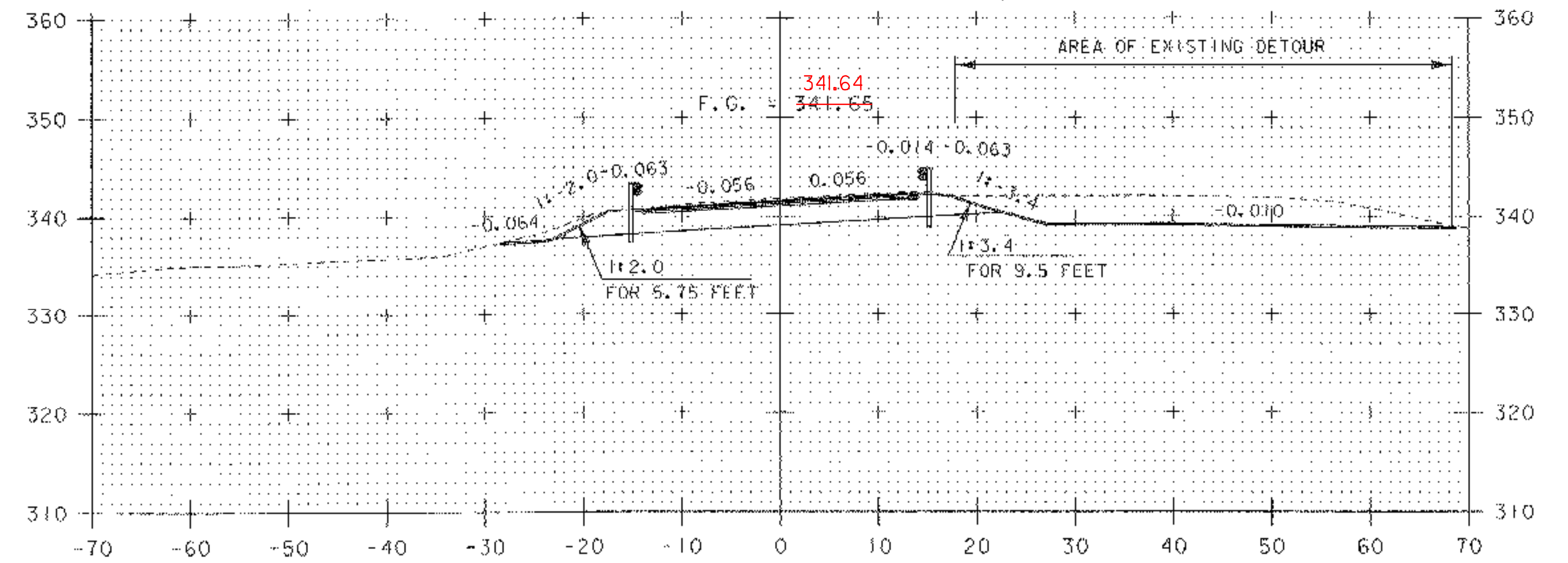
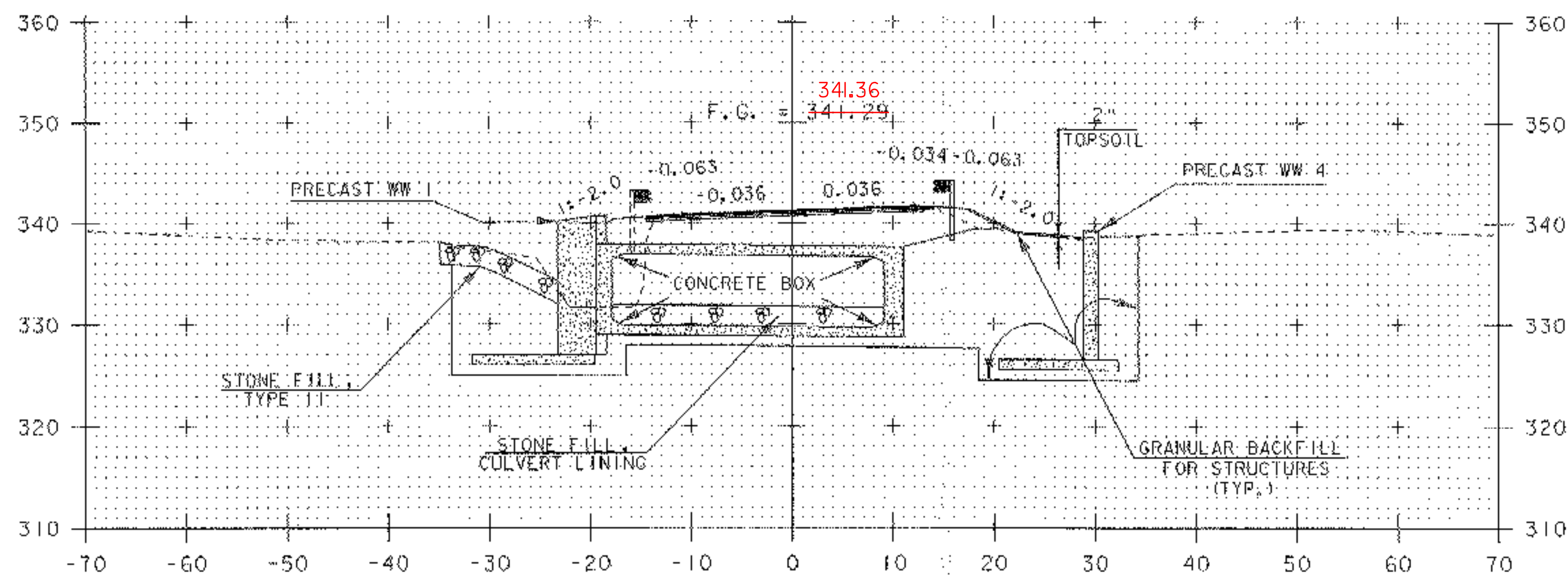


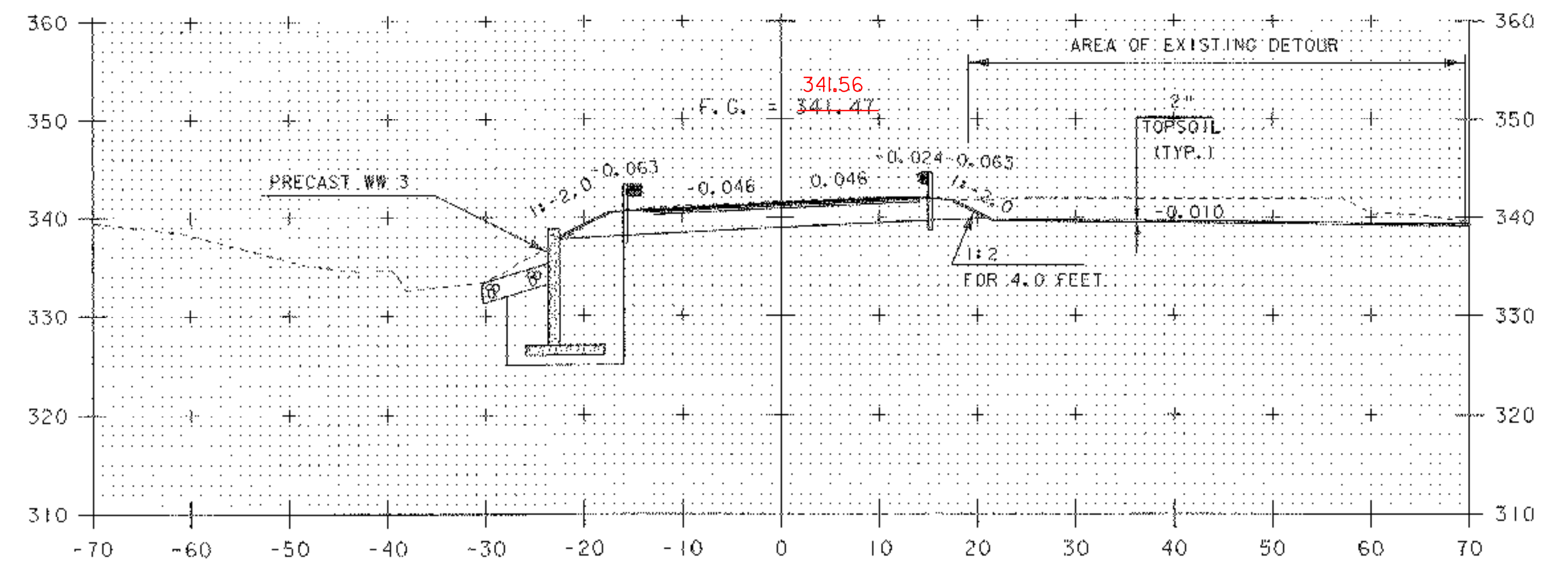
5+59
CENTER OF BOX (LEFT)



6+00



5+50



5+75

VT 116 SECTIONS 7

PROJECT NAME: BRISTOL
PROJECT NUMBER: ER ST 021-1(22)

FILE NAME: 05bl26\STR\s05bl26xs.dgn PLOT DATE: 20-MAR-2007
PROJECT LEADER: M. EVANS-MONGEON DRAWN BY: G. ROKES
DESIGNED BY: M. EVANS-MONGEON CHECKED BY: G. ROKES
IPARM s05bl26xs7.1 SHEET 53 OF 66