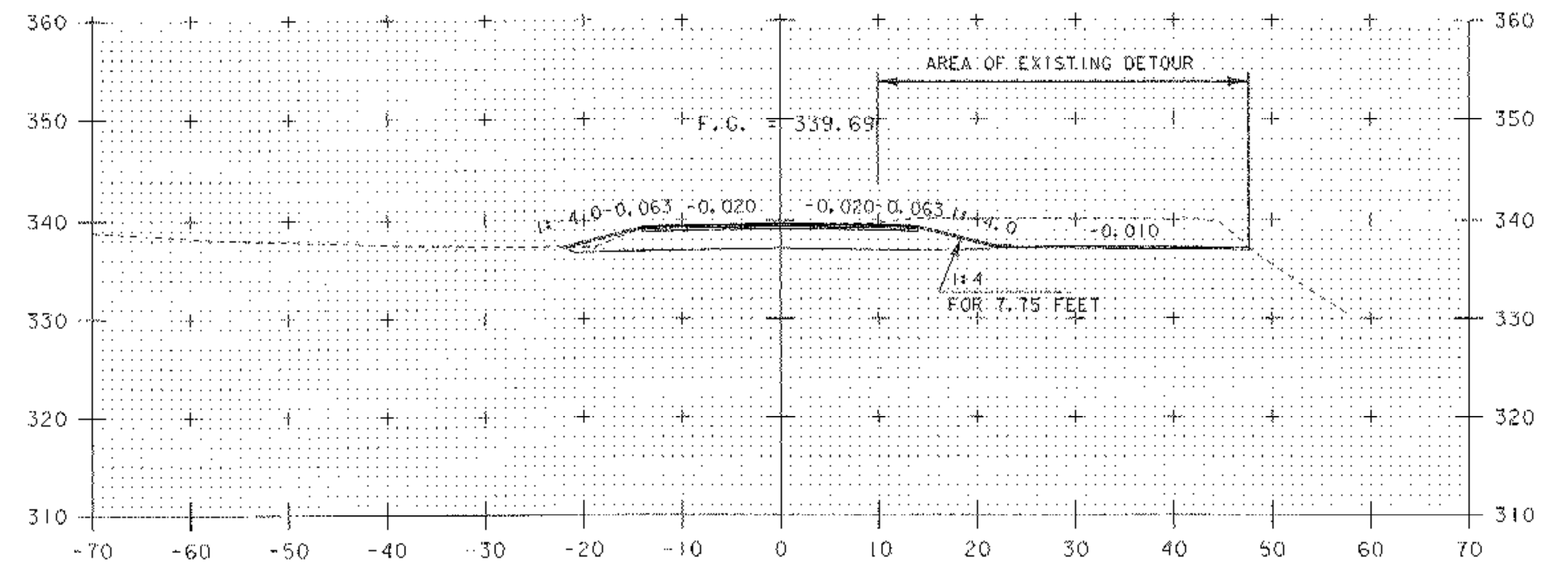
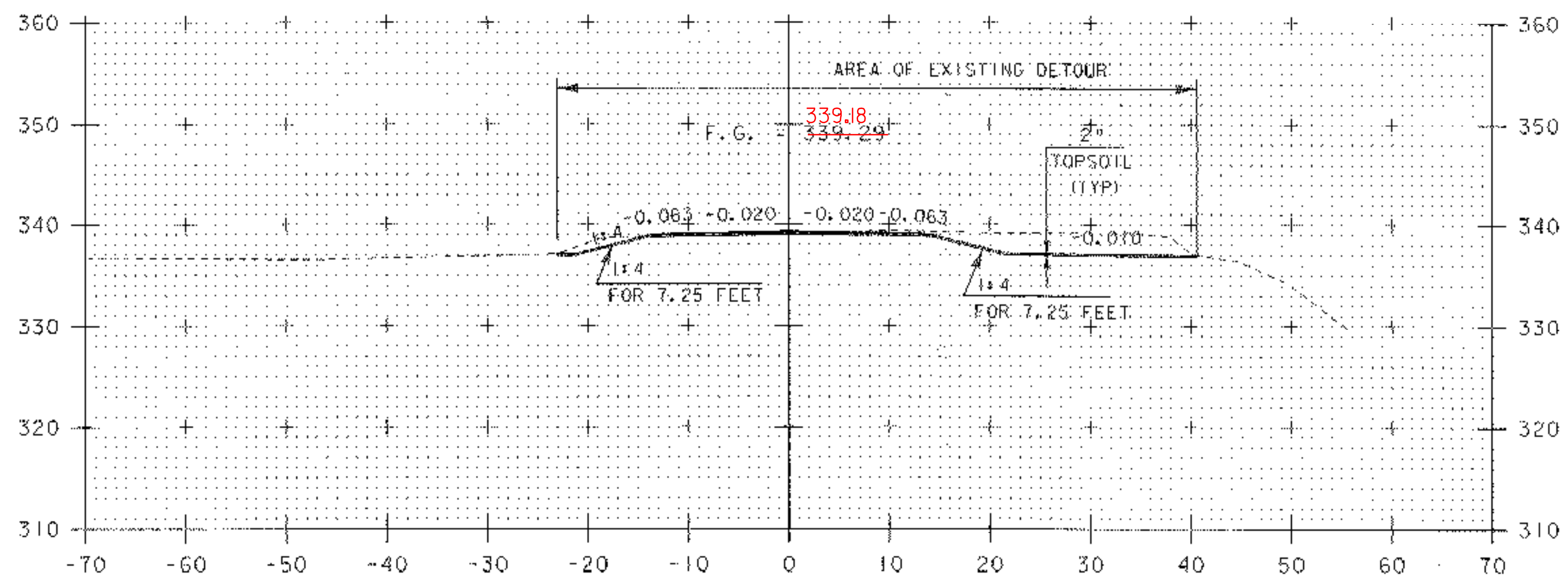


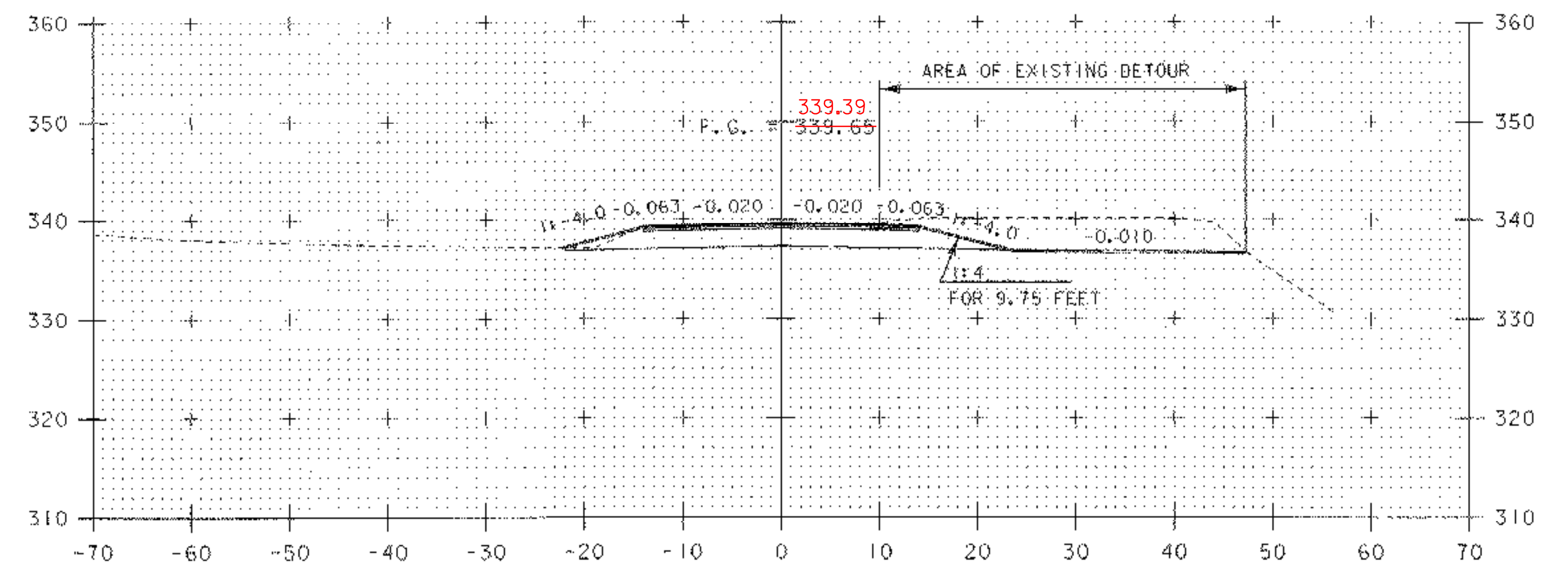
3+00



3+30
BEGIN PROJECT



2+75



3+25

VT 116 SECTIONS 3

PROJECT NAME:	BRISTOL
PROJECT NUMBER:	ER ST 021-1(22)
FILE NAME:	05b126\STR\s05b126xs.dgn
PROJECT LEADER:	M. EVANS-MONGEON
DESIGNED BY:	M. EVANS-MONGEON
IPARM:	s05b126xs3.i
PLOT DATE:	20-MAR-2007
DRAWN BY:	G. ROKES
CHECKED BY:	G. ROKES
SHEET:	49 OF 66