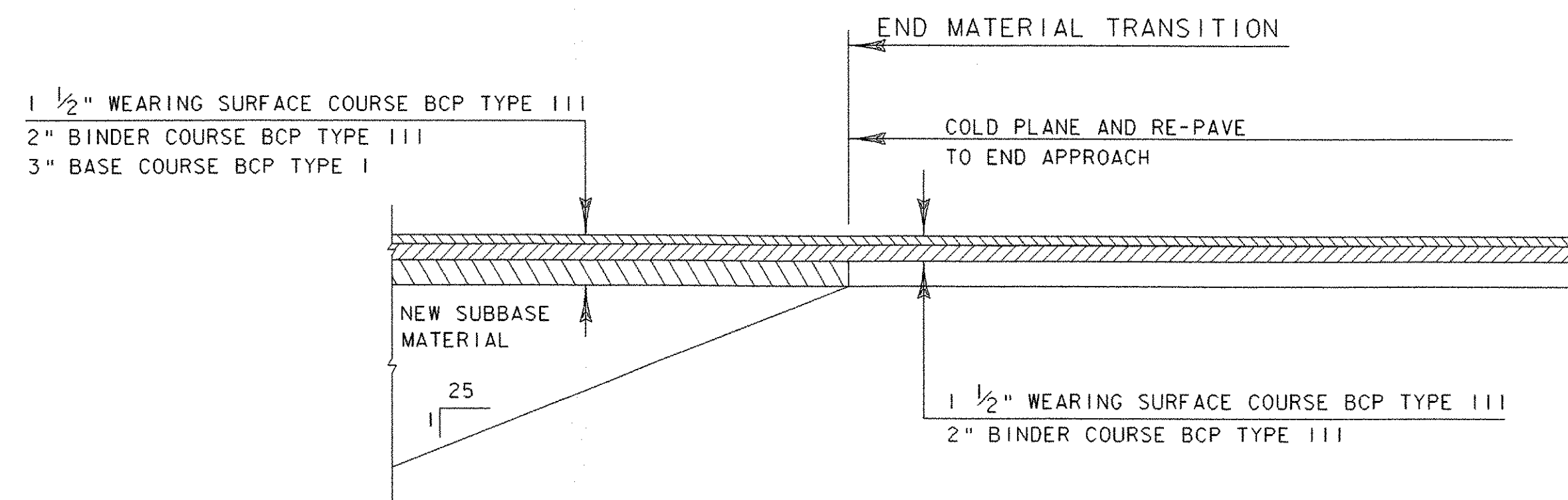


MATERIAL TRANSITION  
NTS



PAVEMENT DETAIL  
NTS

**MATERIAL TRANSITION**

PROJECT: BRISTOL	PROJECT NO.: ER ST 021-1 (22)
DESIGN FILE NAME: 05b126\Str\s05b126wrk.dgn	PLOT DATE: 20-MAR-2007
IPARM FILE NAME: sb126mat.i	CHECKED BY: M. EVANS-MO
DESIGNED BY: G. ROKES	DRAWN BY: G. ROKES
PROJECT LEADER: M. EVANS-MONGEON	SHEET: 44 OF 66