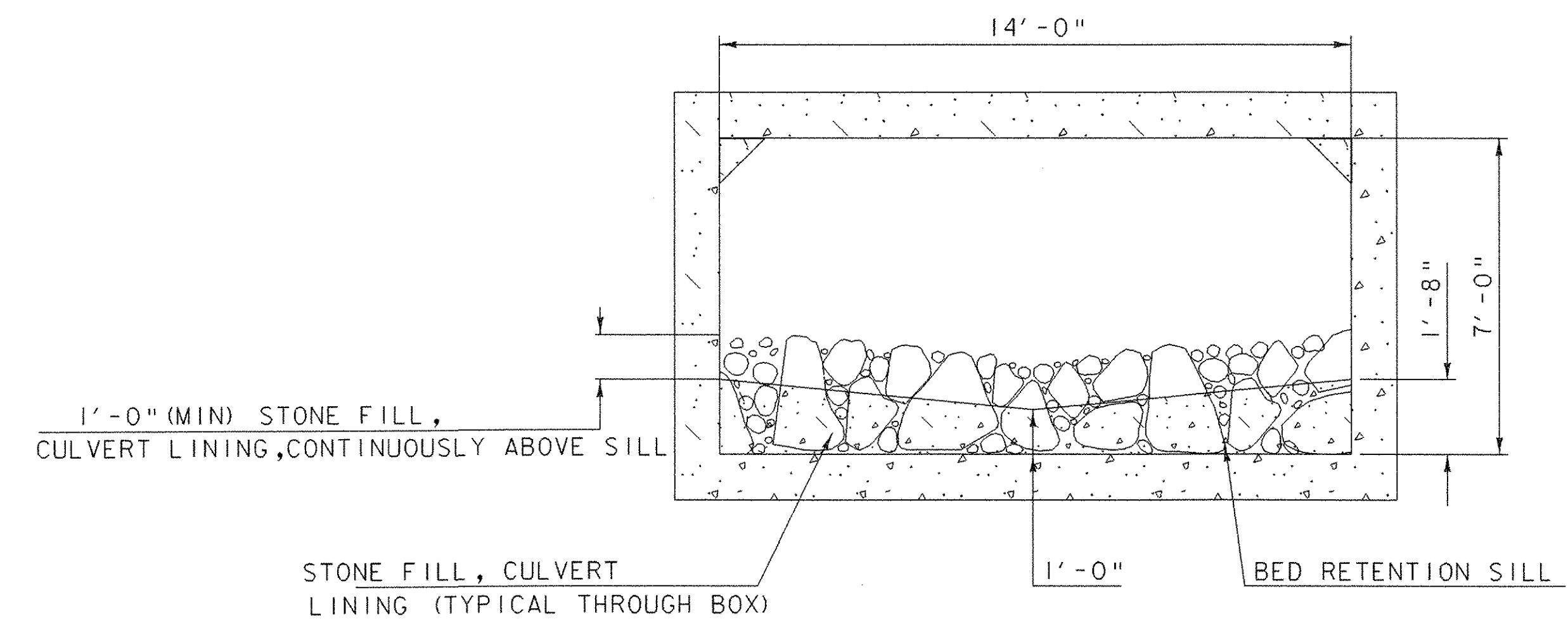
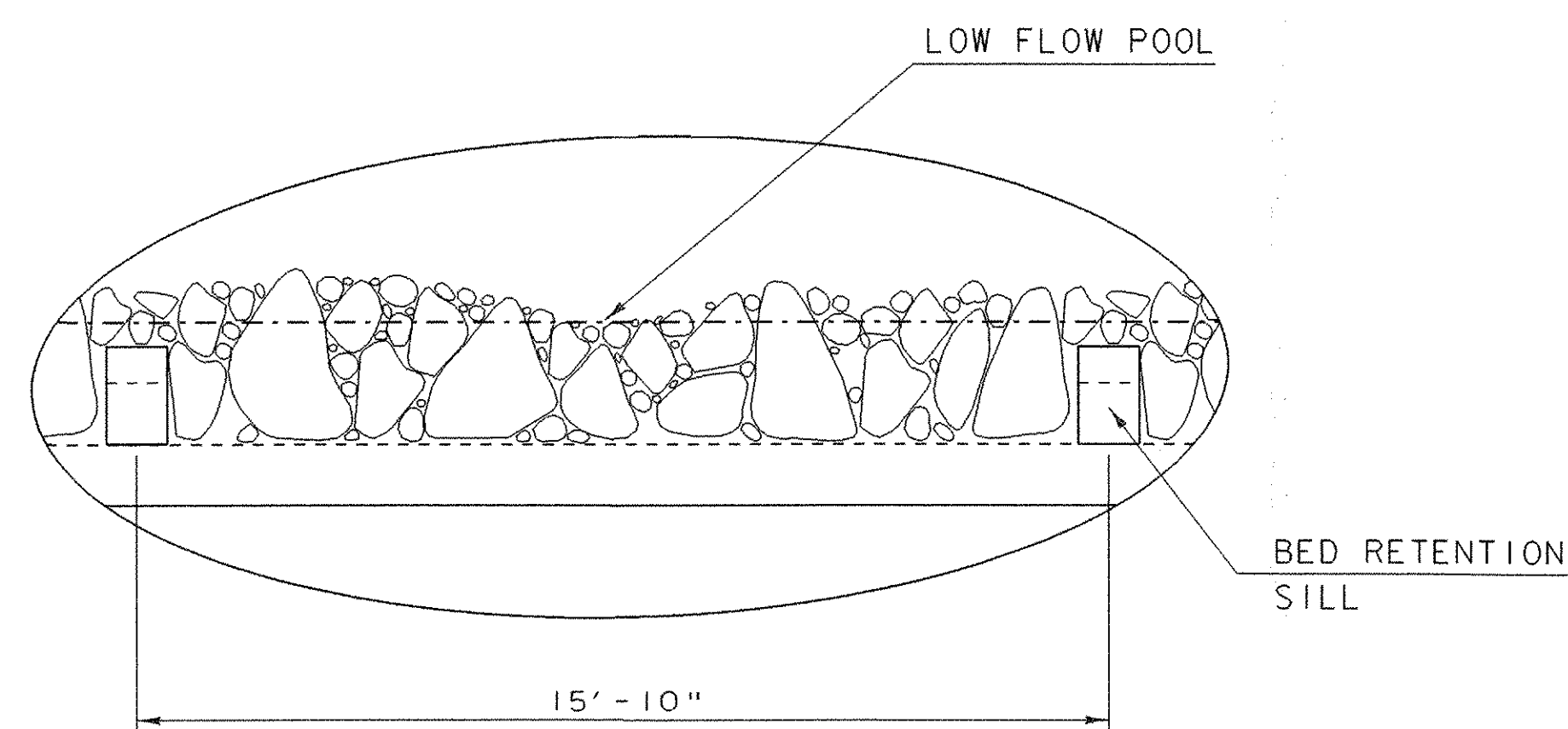


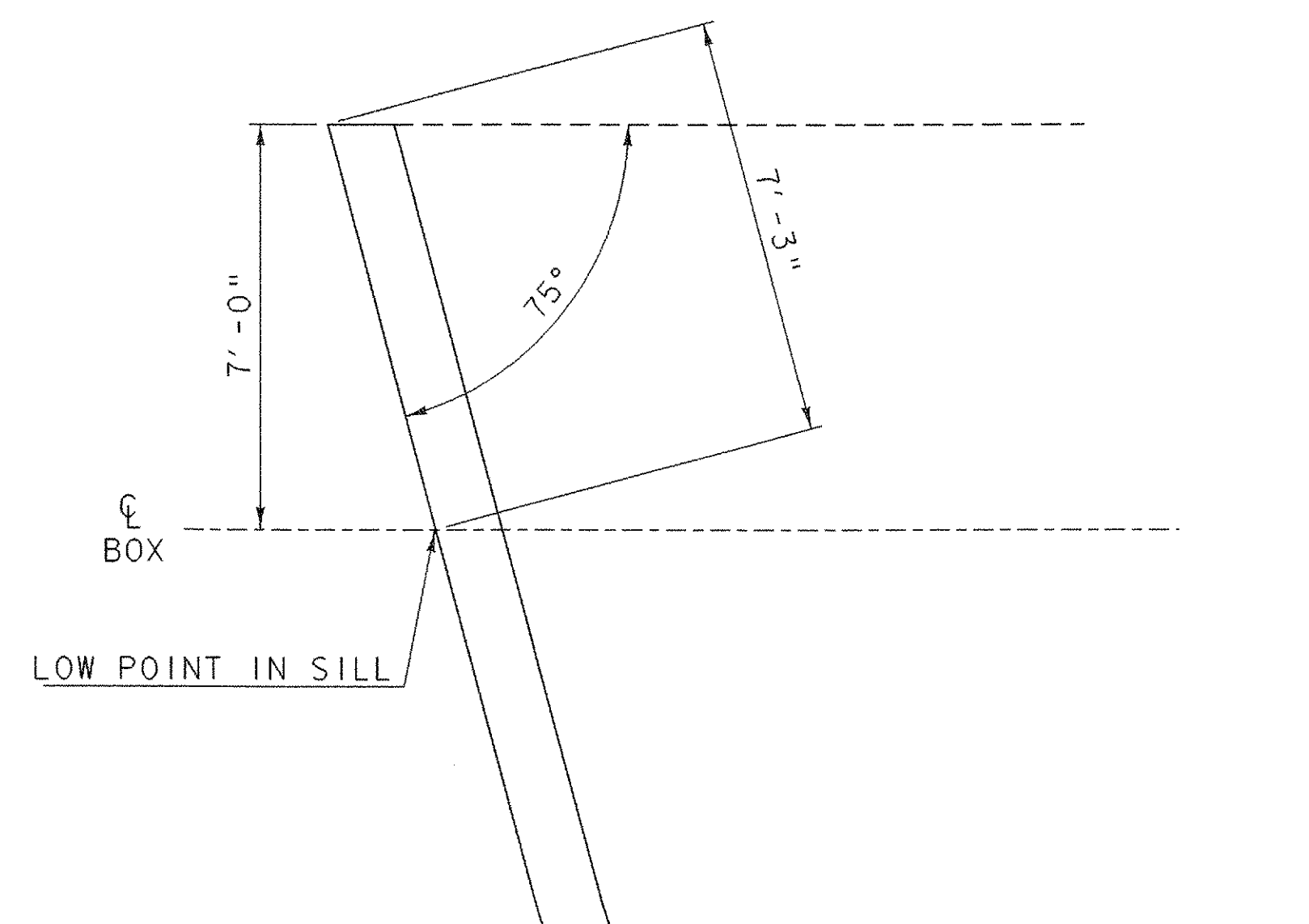
STONE FILL TYPICAL LAYOUT  
NOT TO SCALE



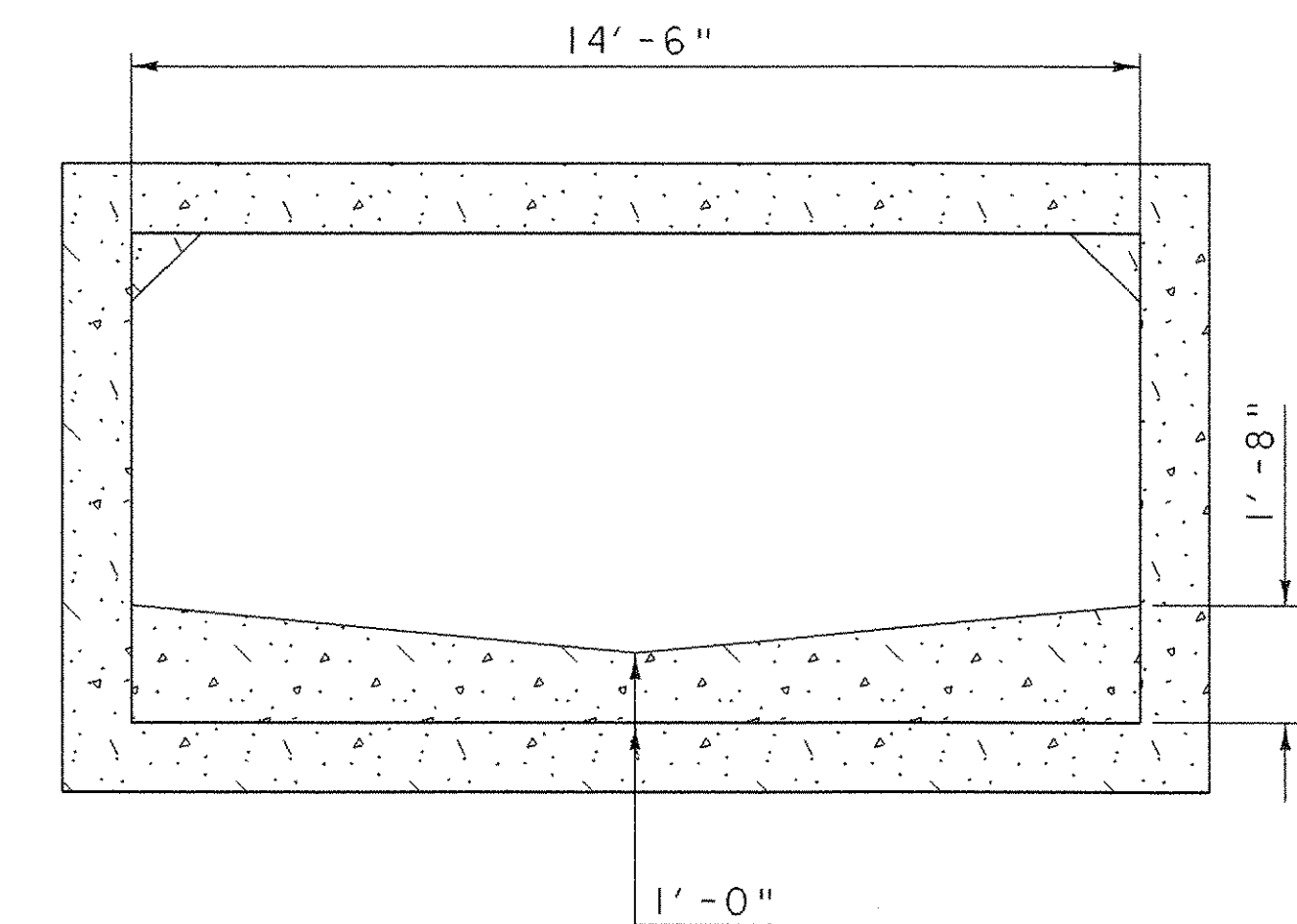
PRECAST CONCRETE BOX CROSS SECTION  
NOT TO SCALE



SECTION C-C  
NOT TO SCALE



INLET/OUTLET SKEWED RETENTION SILL  
NOT TO SCALE



INLET/OUTLET SKEWED RETENTION SILL  
CROSS SECTION  
NOT TO SCALE

**PRE-CAST RETENTION SILL DETAILS**

|                 |                           |             |             |
|-----------------|---------------------------|-------------|-------------|
| PROJECT NAME:   | BRISTOL                   | PLOT DATE:  | 20-MAR-2007 |
| PROJECT NUMBER: | ER ST 021-1(22)           | DRAWN BY:   | G. ROKES    |
| FILE NAME:      | 05bl26\Str\s05bl26+yp.dgn | CHECKED BY: | G. ROKES    |
| PROJECT LEADER: | M. Evans-Mongeon          | SHEET       | 41 OF 66    |
| DESIGNED BY:    | M. Evans-Mongeon          |             |             |