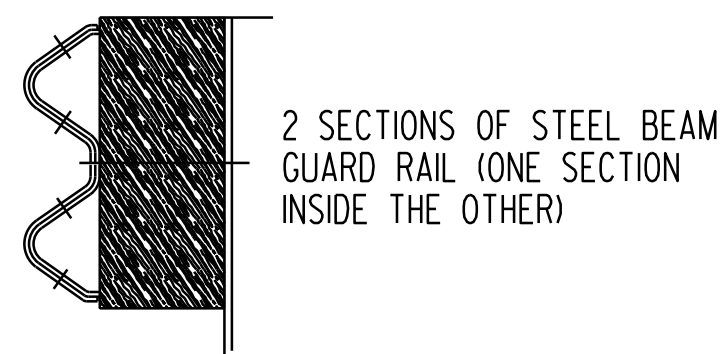
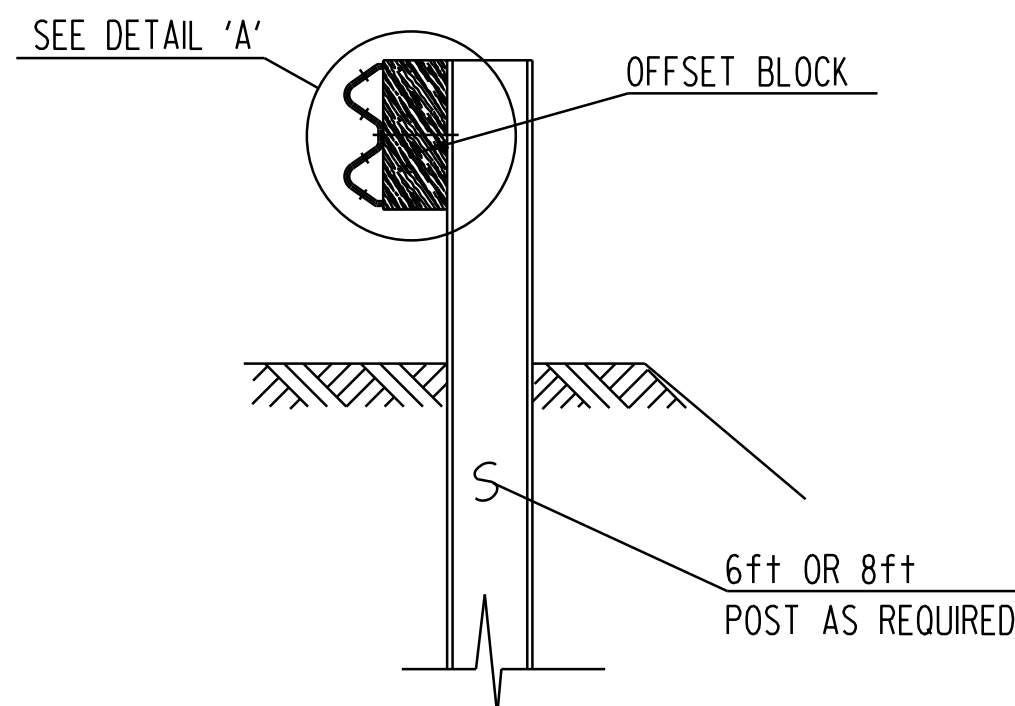


**NOTES**

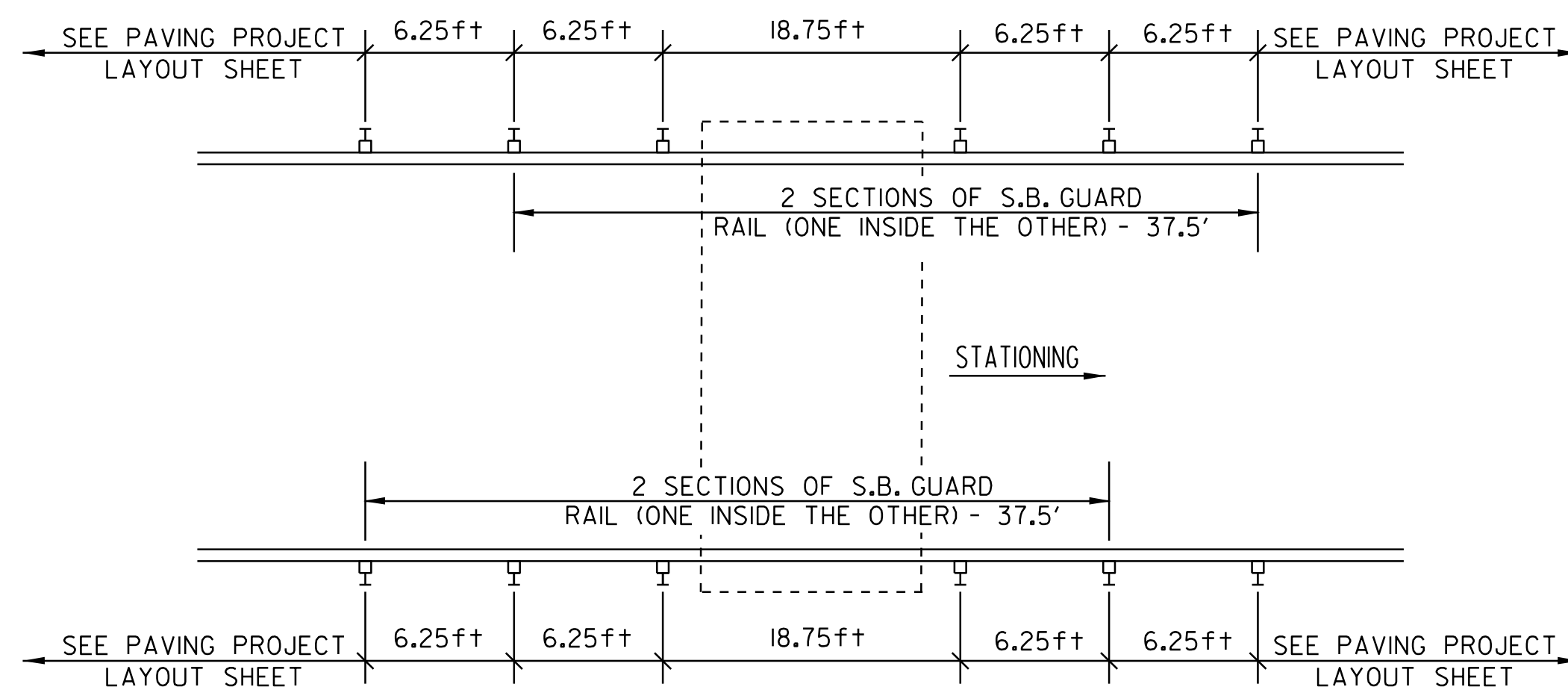
1. SEE STANDARD G-1 & G-1D FOR STEEL BEAM GUARD RAIL DETAILS.
2. THIS WORK SHALL BE PAID UNDER ITEM 900.640, SPECIAL PROVISION (STEEL BEAM GUARDRAIL, GALVANIZED/NESTED).



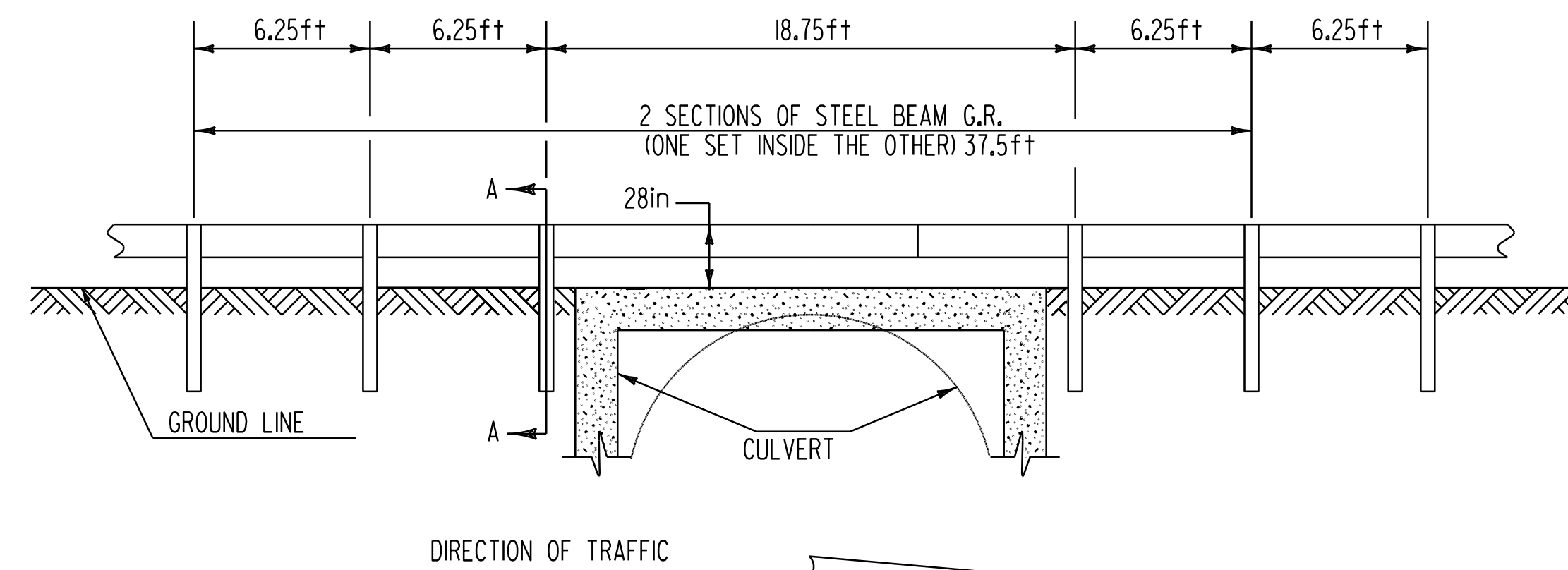
**DETAIL A**



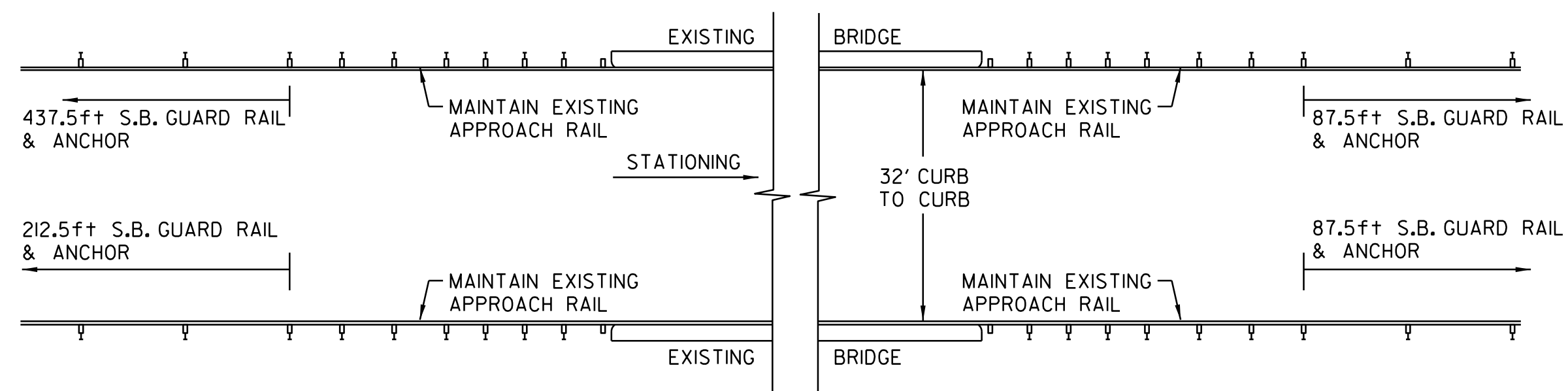
**SECTION A-A**



**WILLISTON - BRIDGE #30**  
STA 22+02 = MM 0.417



**DETAIL OF STEEL BEAM GUARD RAIL AT LARGE CULVERTS**



**SOUTH BURLINGTON - BRIDGE #31**  
STA 139+83 = MM 2.648

**BRIDGE  
DETAIL  
SHEET  
#1**

DESIGNED BY BCE/PJM DATE 6-07  
 DRAWN BY C.E.A., INC. DATE 6-07  
 DESIGN FILE NO. p05b052.dgn  
 PRF FILE p05b052d+03.i DATE 03-MAY-2012 17:23  
 PLOTTED 03-MAY-2012 17:23  
 PROJ. NAME ST. GEORGE-SO. BURLINGTON  
 PROJ. NO. ST-STP 2508(1)S  
 SHEET 39 OF 42 SHEETS