

TEMPORARY 4in YELLOW LINE (PAINT)  
4in YELLOW LINE  
STA 97+00 TO 108+00 SOLID LT&RT

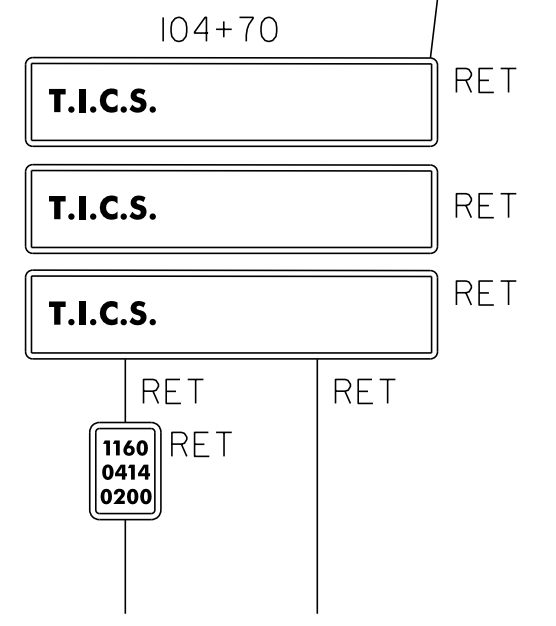
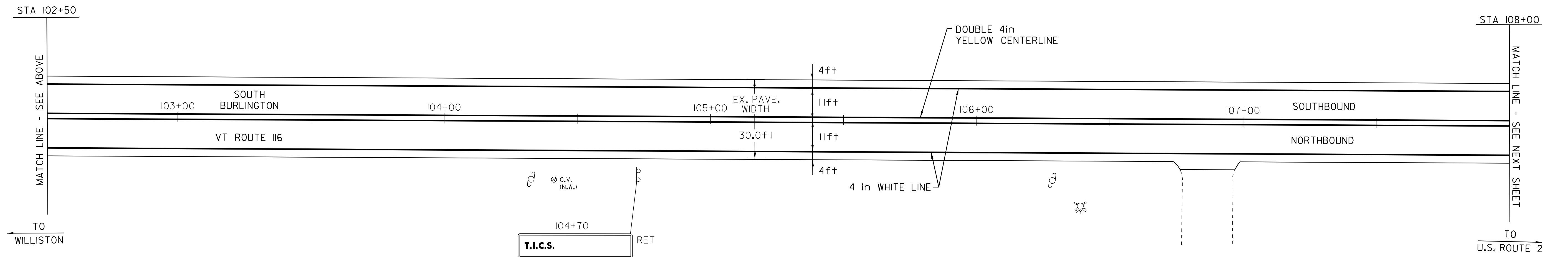
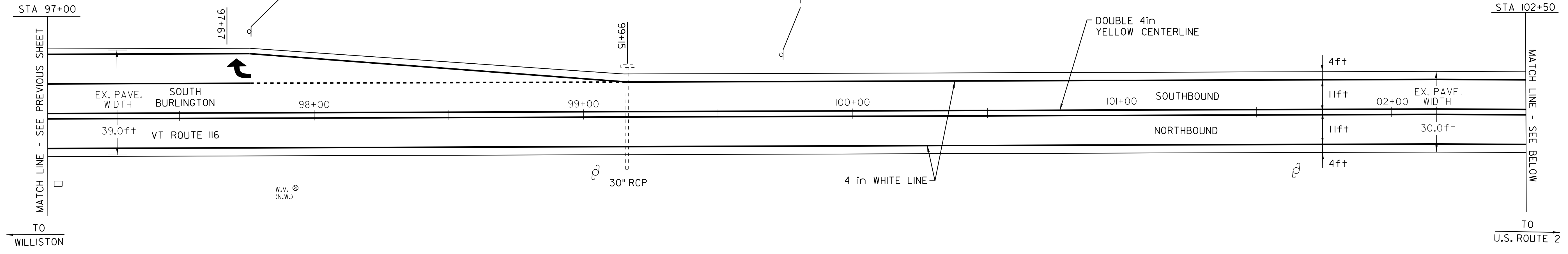
TEMPORARY 4in WHITE LINE (PAINT)  
4in WHITE LINE  
STA 97+00 TO 108+00 SOLID LT&RT  
STA 97+00 TO 97+75 SOLID LT  
STA 97+75 TO 99+15 DOTTED LT

TEMPORARY LETTER OR SYMBOL (PAINT)  
STA 97+67 LT

LETTER OR SYMBOL  
STA 97+67 LT

REMOVING SIGNS  
2

99+75  
RIGHT LANE FOR RIGHT TURN



LEGEND

N = NEW  
R = REMOVE  
R&S = REMOVE & SALVAGE  
S = SALVAGE  
RET = RETAIN  
B-TO-B = BACK TO BACK  
⊕ ⊞ □ = CATCH BASIN/DI  
(N.W.) = NO WORK REQUIRED (TYP. FOR D.I.'S, & C.B.'S WHERE NOTED)  
I = YIELDING MARKER POST  
⊕ = UTILITY POLE  
⌒ = DRIVE

## PAVING PROJECT LAYOUT SHEET #9

DESIGNED BY	BCE/PJM	DATE	10-06
DRAWN BY	C.E.A., INC.	DATE	10-06
DESIGN FILE NO.	p05b052.dgn		
PRF FILE	p05b0521a09	DATE PLOTTED	03-MAY-2012 17
PROJ. NAME	ST. GEORGE-SO. BURLINGTON		
PROJ. NO.	ST-STP 2508(1)S		
SHEET	18	OF	42 SHEETS