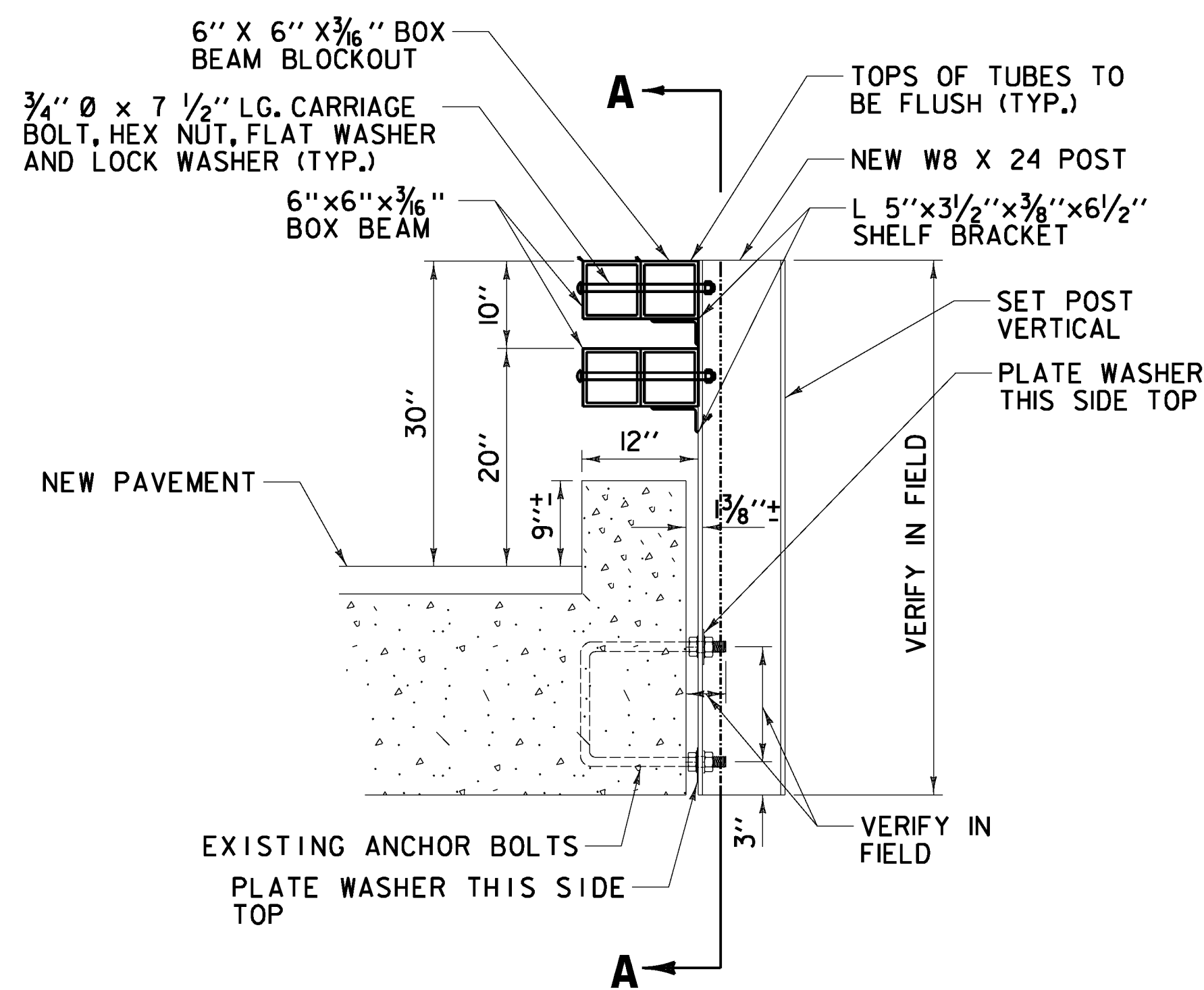
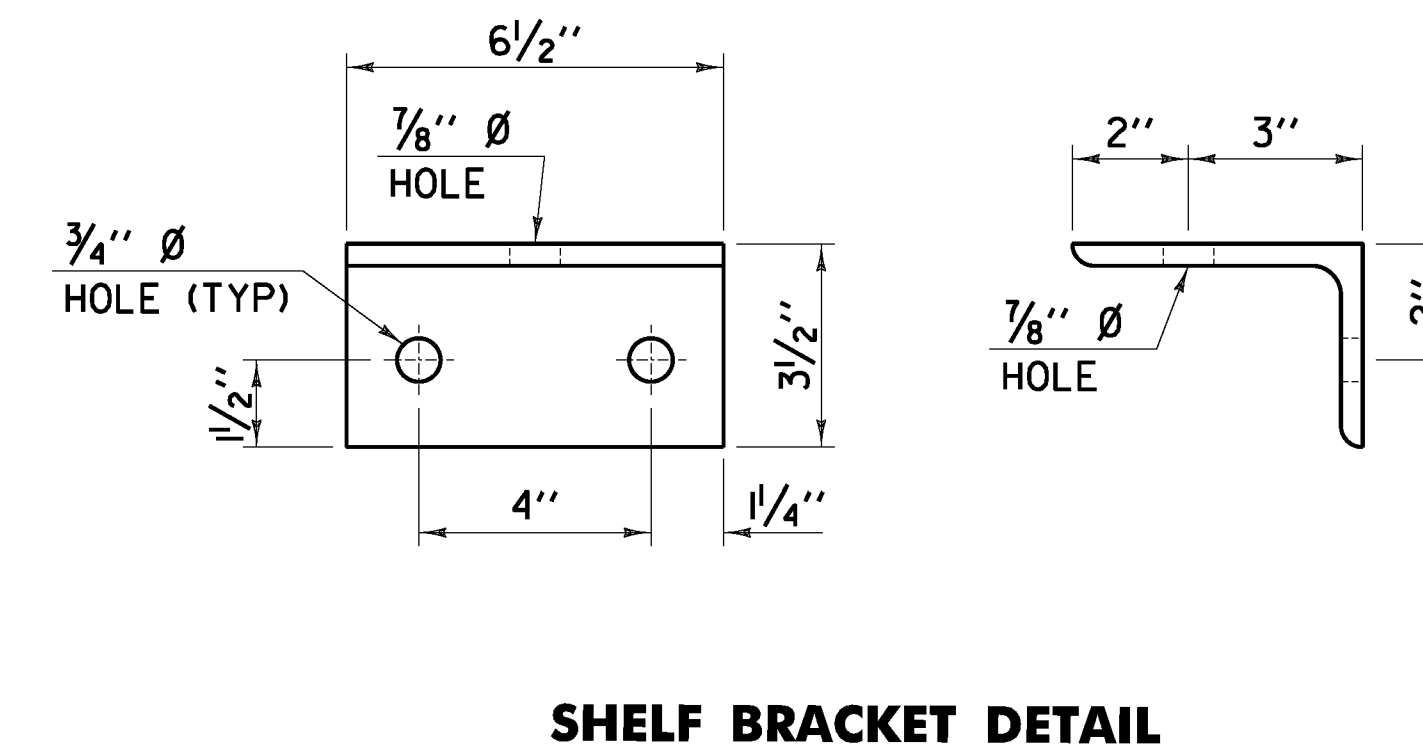
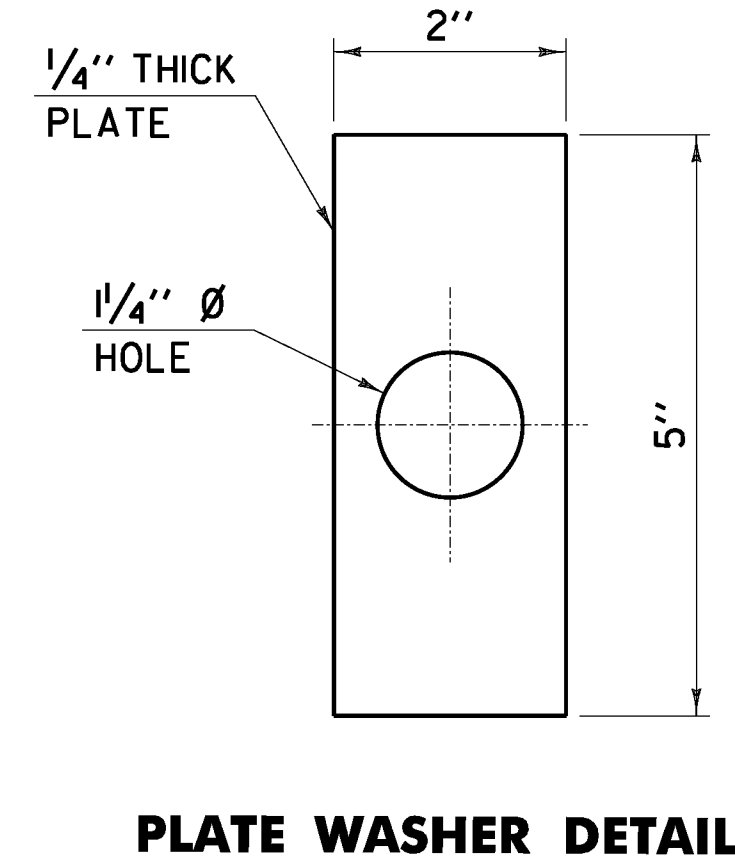
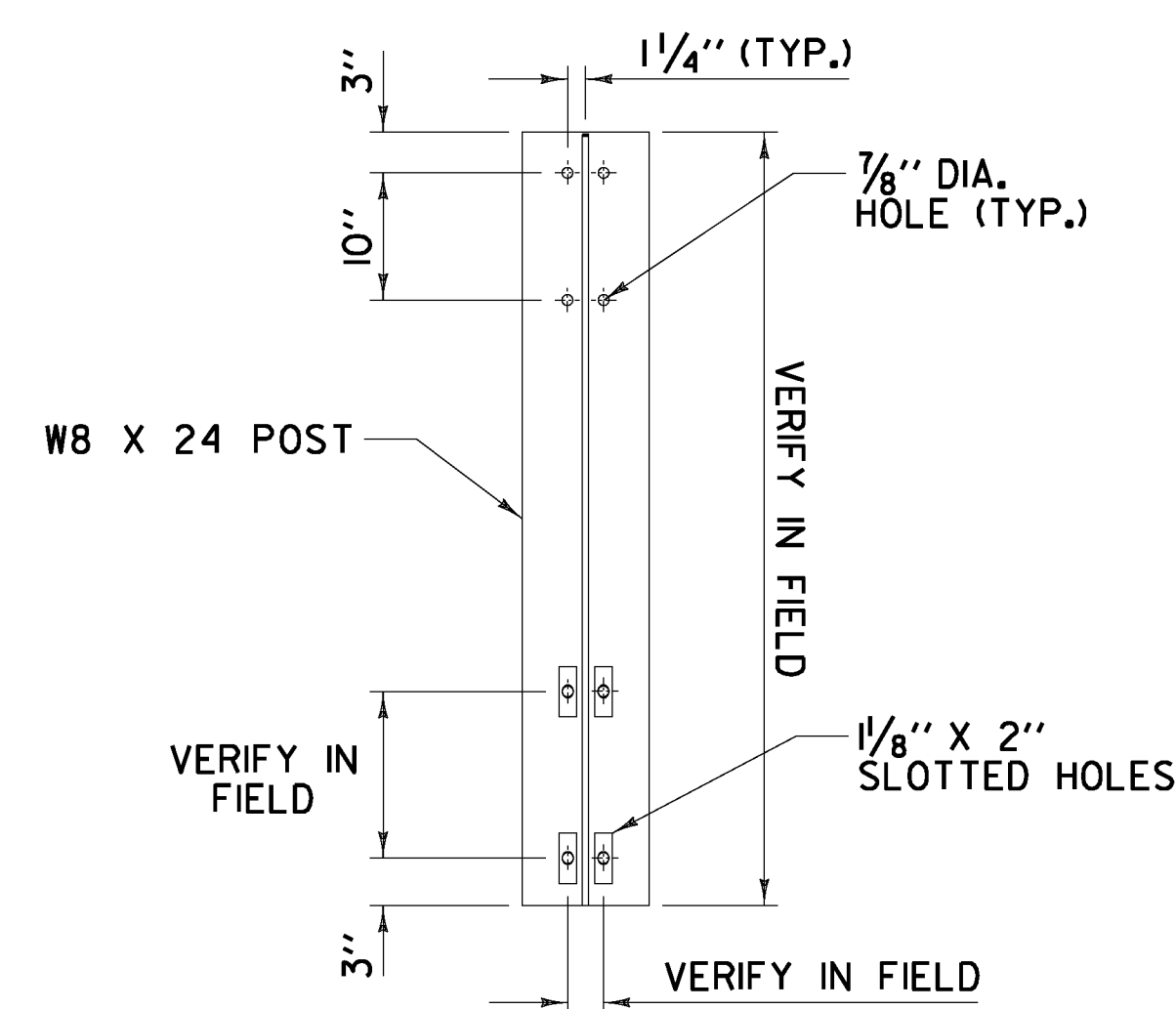


BR 178 WAITSFIELD MM 2.347 = STA 123+92.16



BRIDGE POST DETAIL NOTES

1. LOCATION OF EXISTING ANCHOR BOLTS TO BE VERIFIED IN THE FIELD BY THE CONTRACTOR PRIOR TO ORDERING BRIDGE POSTS.
2. POSTS SHALL BE SHOP CUT AND DRILLED PRIOR TO GALVANIZING.



| | |
|---------------------------------------|-----------------------------------|
| BRIDGE DETAIL SHEET #6 | PROJECT NAME: WARREN - WAITSFIELD |
| | PROJECT NUMBER: STP 2506(1) |
| | FILE NAME: p05b048.dgn |
| | PLOT DATE: 12/20/2012 |
| PROJECT LEADER: D.E.G. | DRAWN BY: W.G.P. |
| DESIGNED BY: M.J.M. | CHECKED BY: D.E.G. |
| IPARM FILE: p05b048bd+6.1 | SHEET 310 OF 310 |

FILE NAME = U:\1762\CADD\N\STP\2506\p05b048\Contr\est_Plan.dgn
 DATE/TIME = 12/20/2012
 USER = 4866