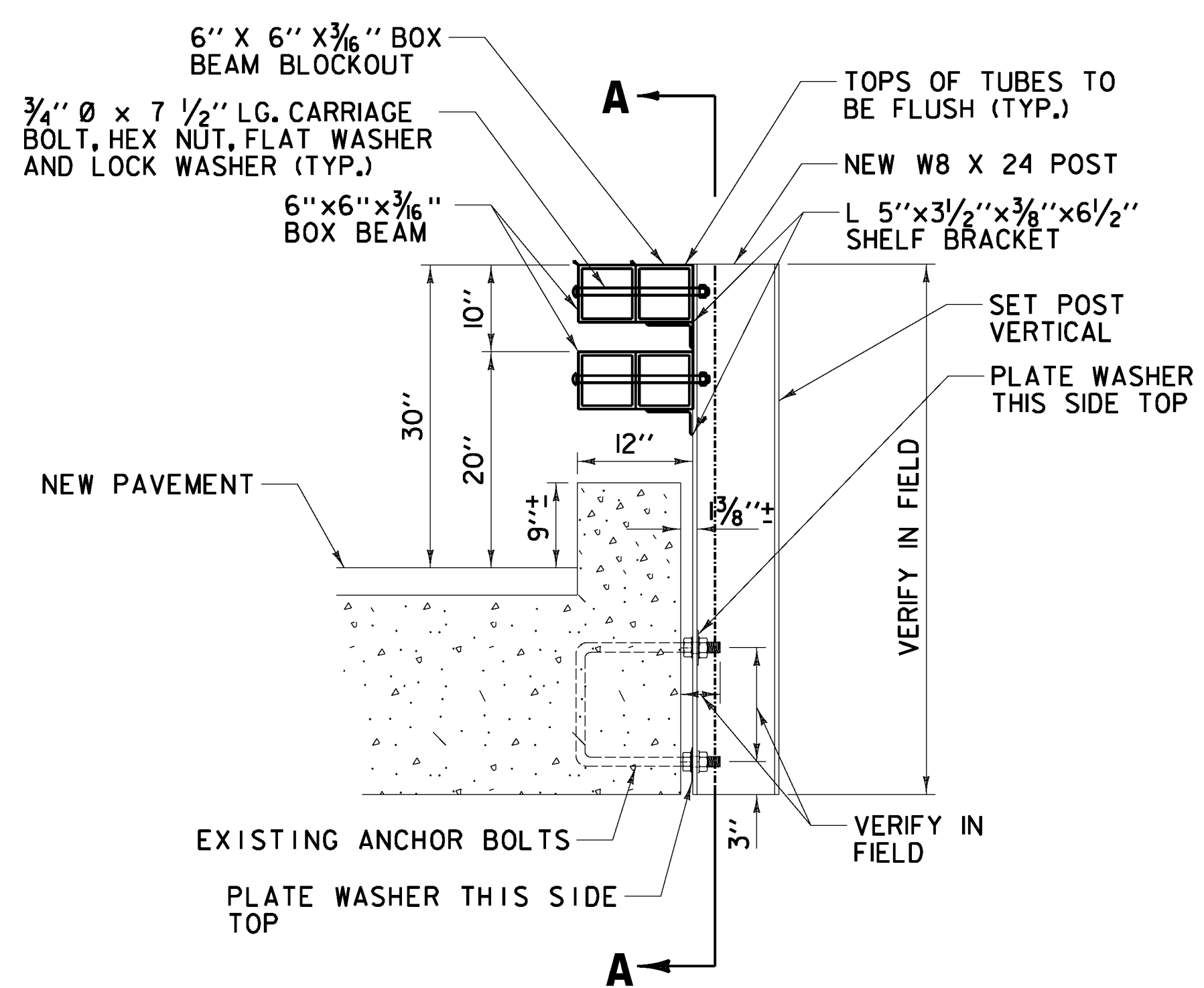
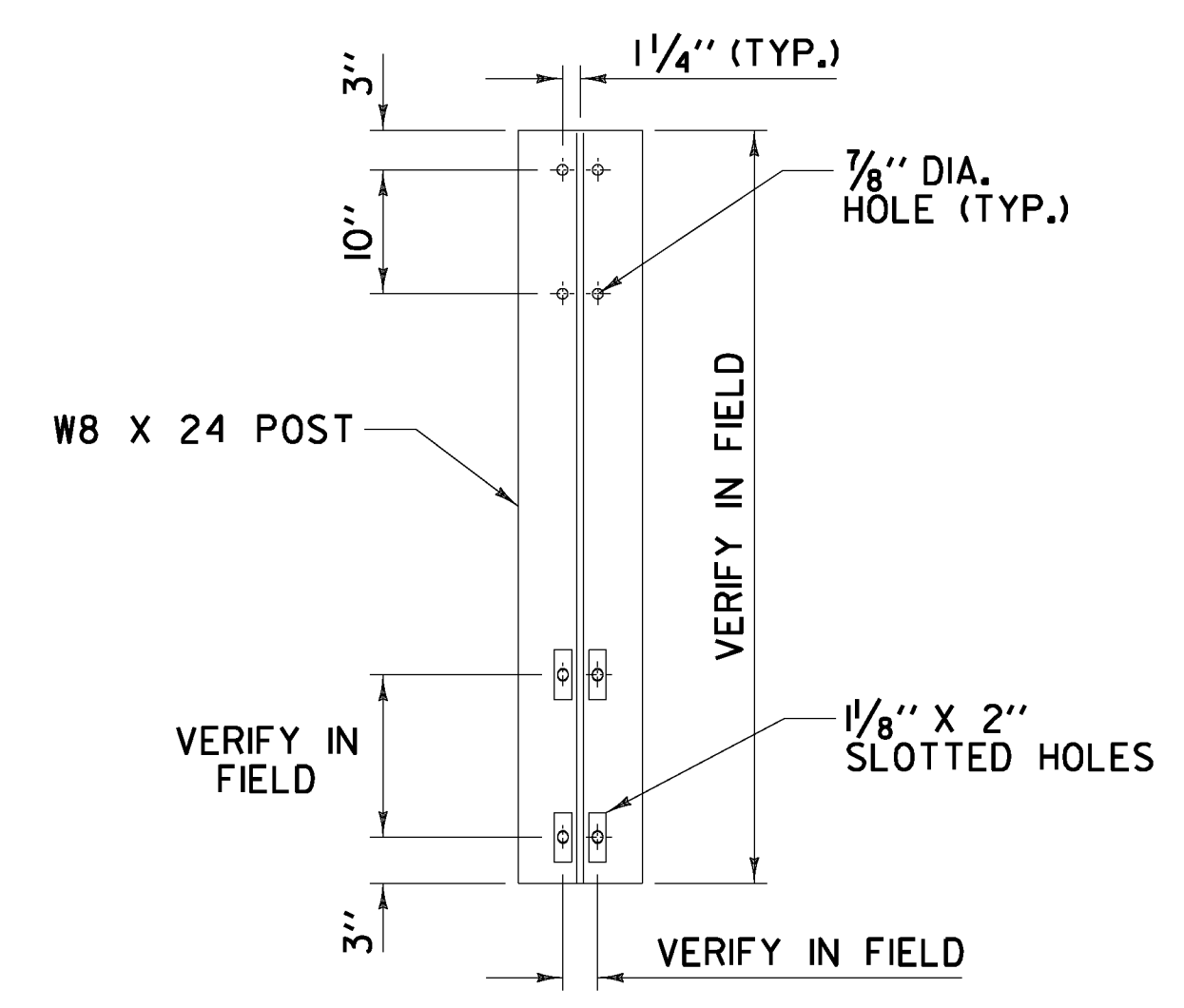


BR 177 WAITSFIELD MM 1.936 = STA 102+22.08



BRIDGE POST DETAIL NOTES

1. LOCATION OF EXISTING ANCHOR BOLTS TO BE VERIFIED IN THE FIELD BY THE CONTRACTOR PRIOR TO ORDERING BRIDGE POSTS.
2. POSTS SHALL BE SHOP CUT AND DRILLED PRIOR TO GALVANIZING.



SECTION A-A
BRIDGE POST DETAIL

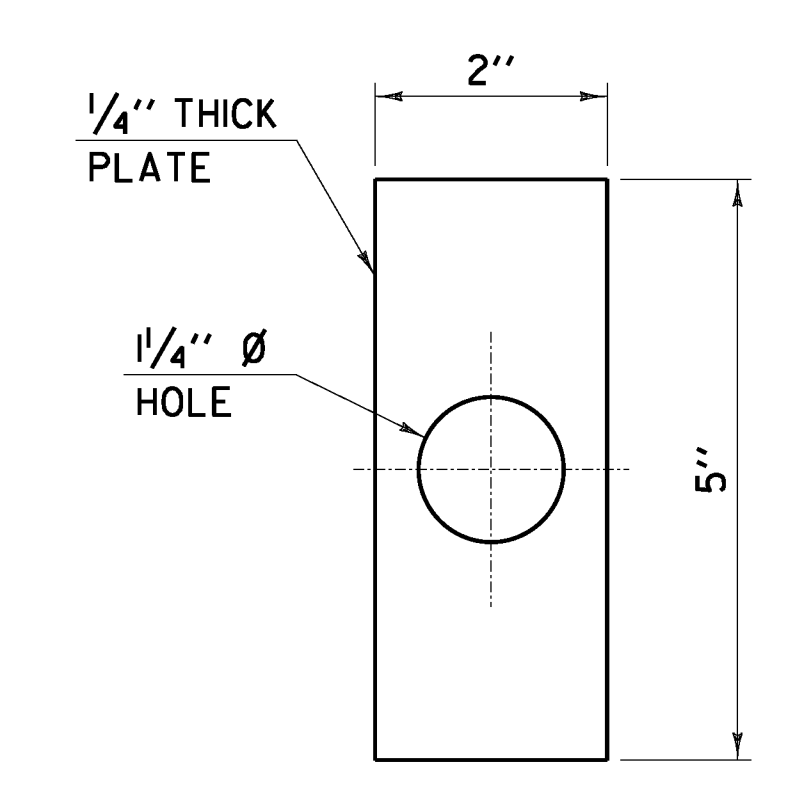
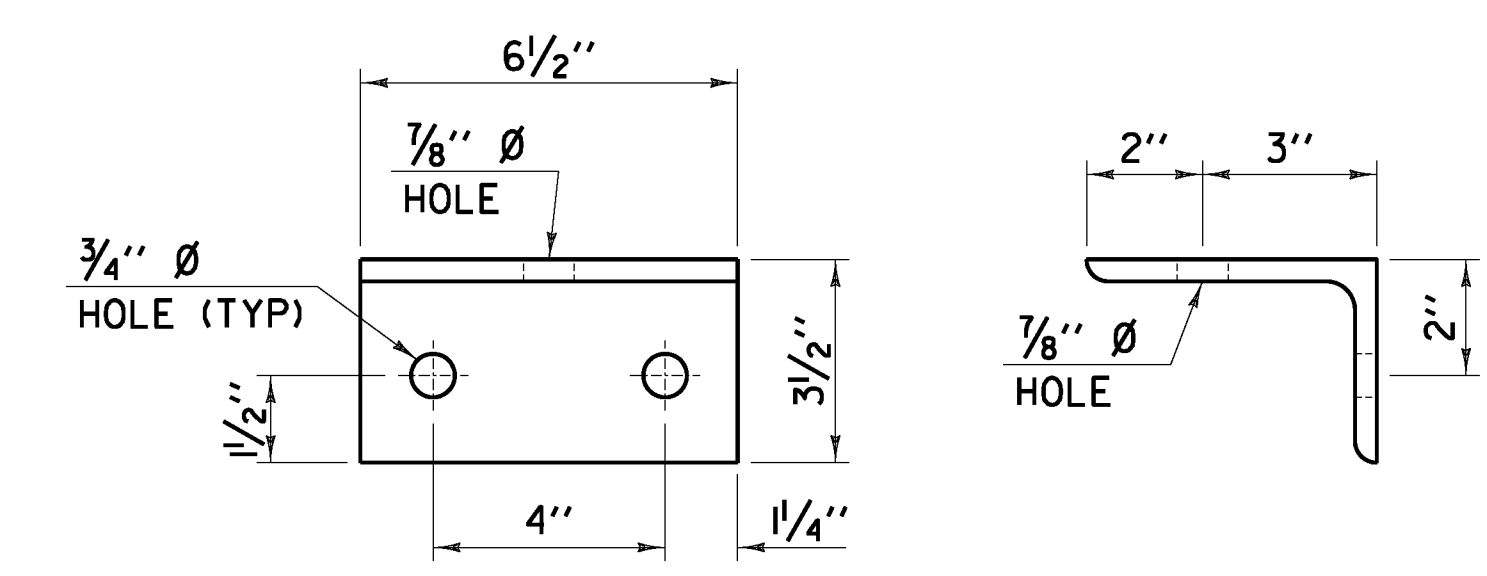


PLATE WASHER DETAIL



SHELF BRACKET DETAIL

FILE NAME: U:\1762\CADD\N\STP\2506\p05b048_Contract Plans.dgn
DATE/TIME: 12/20/2012
USER: 4866

BRIDGE DETAIL SHEET #5	PROJECT NAME: WARREN - WAITSFIELD
	PROJECT NUMBER: STP 2506(1)
	FILE NAME: p05b048.dgn PROJECT LEADER: D.E.G. DESIGNED BY: M.J.M. IPARM FILE: p05b048bd+5.1
	PLOT DATE: 12/20/2012 DRAWN BY: W.G.P. CHECKED BY: D.E.G. SHEET 309 OF 310