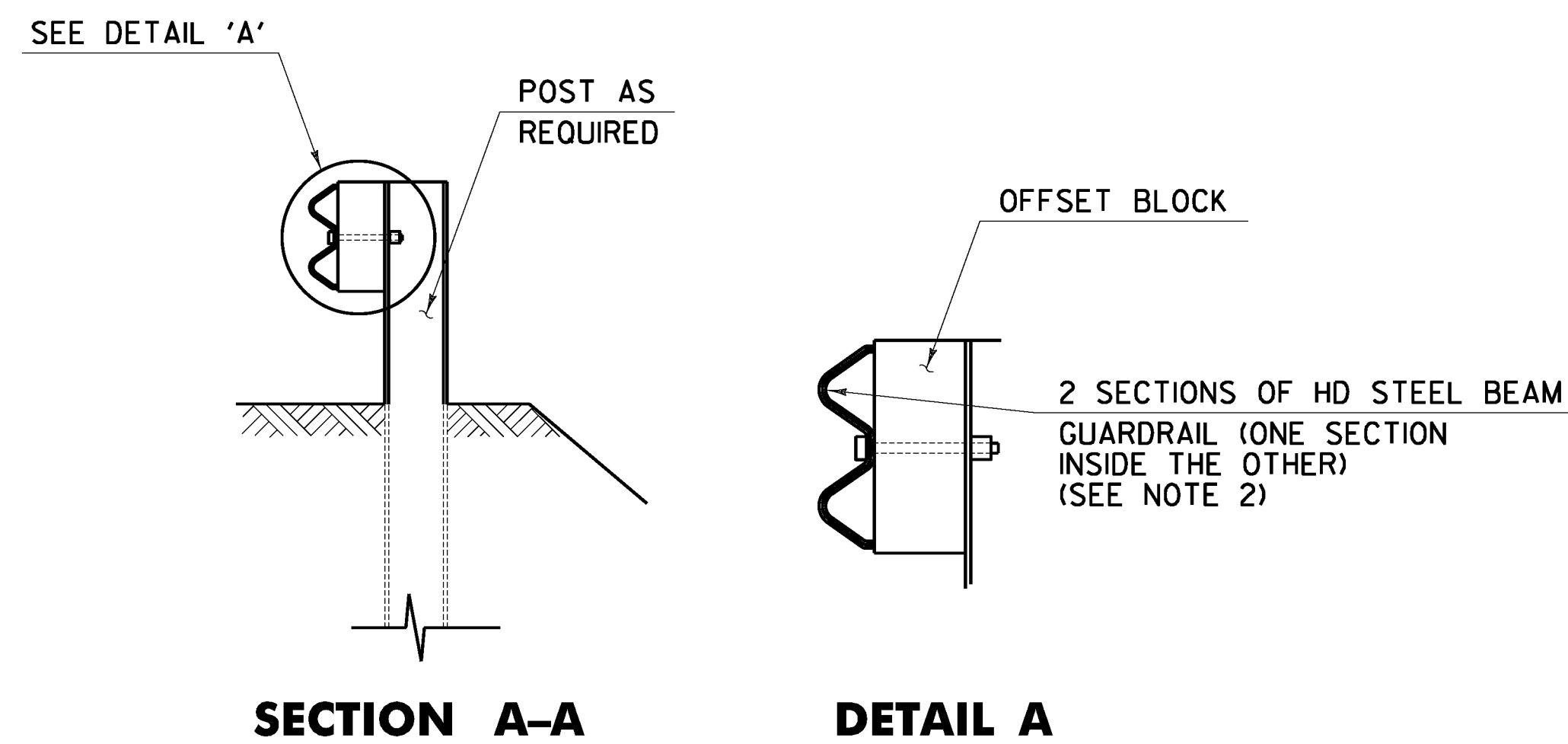


**STEEL BEAM GUARDRAIL AT SMALL CULVERT DETAIL**

WARREN:  
VT. ROUTE 100 STA 324+22.5 - STA 324+47.5 LT



**NOTES:**

1. SEE STANDARD G-1FOR STEEL BEAM GUARDRAIL DETAILS.
2. THIS WORK SHALL BE PAID UNDER ITEM 621.217 HD STEEL BEAM GUARDRAIL, GALVANIZED/NESTED W/8 FEET POSTS AT A PAY FACTOR OF 1.0.
3. THIS DETAIL TO BE USED AS INDICATED ON THE ITEM DETAIL SUMMARY SHEET OR AS DIRECTED BY THE ENGINEER.

**NOT TO SCALE**

<b>NESTED GUARDRAIL SYSTEM DETAIL SHEET</b>	PROJECT NAME: WARREN - WAITSFIELD	
	PROJECT NUMBER: STP 2506(1)	
	FILE NAME: p05b048.dgn PROJECT LEADER: D.E.G. DESIGNED BY: M.J.M. IPARM FILE: p05b048dngr.i	PLOT DATE: 12/20/2012 DRAWN BY: W.G.P. CHECKED BY: D.E.G. SHEET 301 OF 310