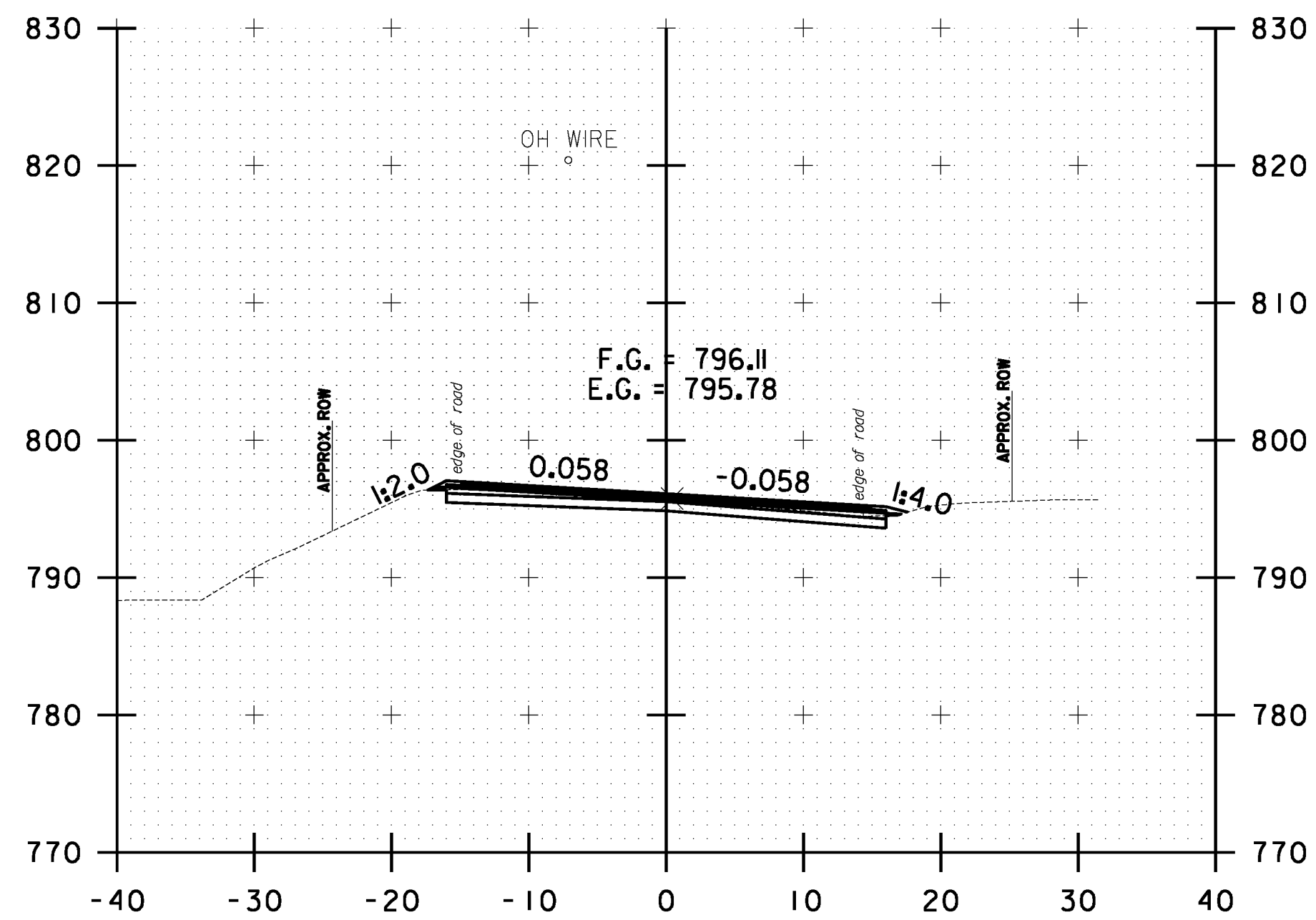
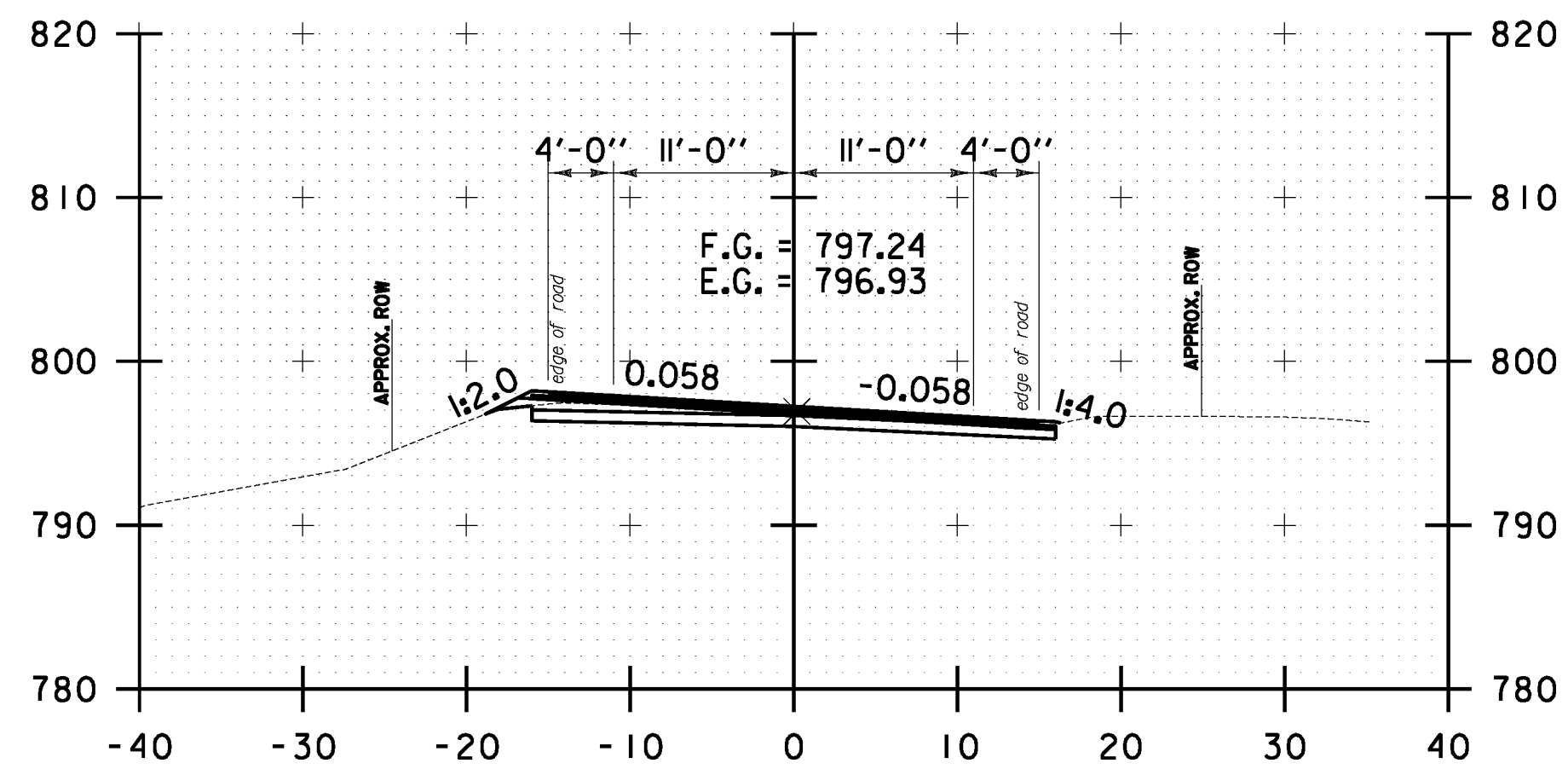


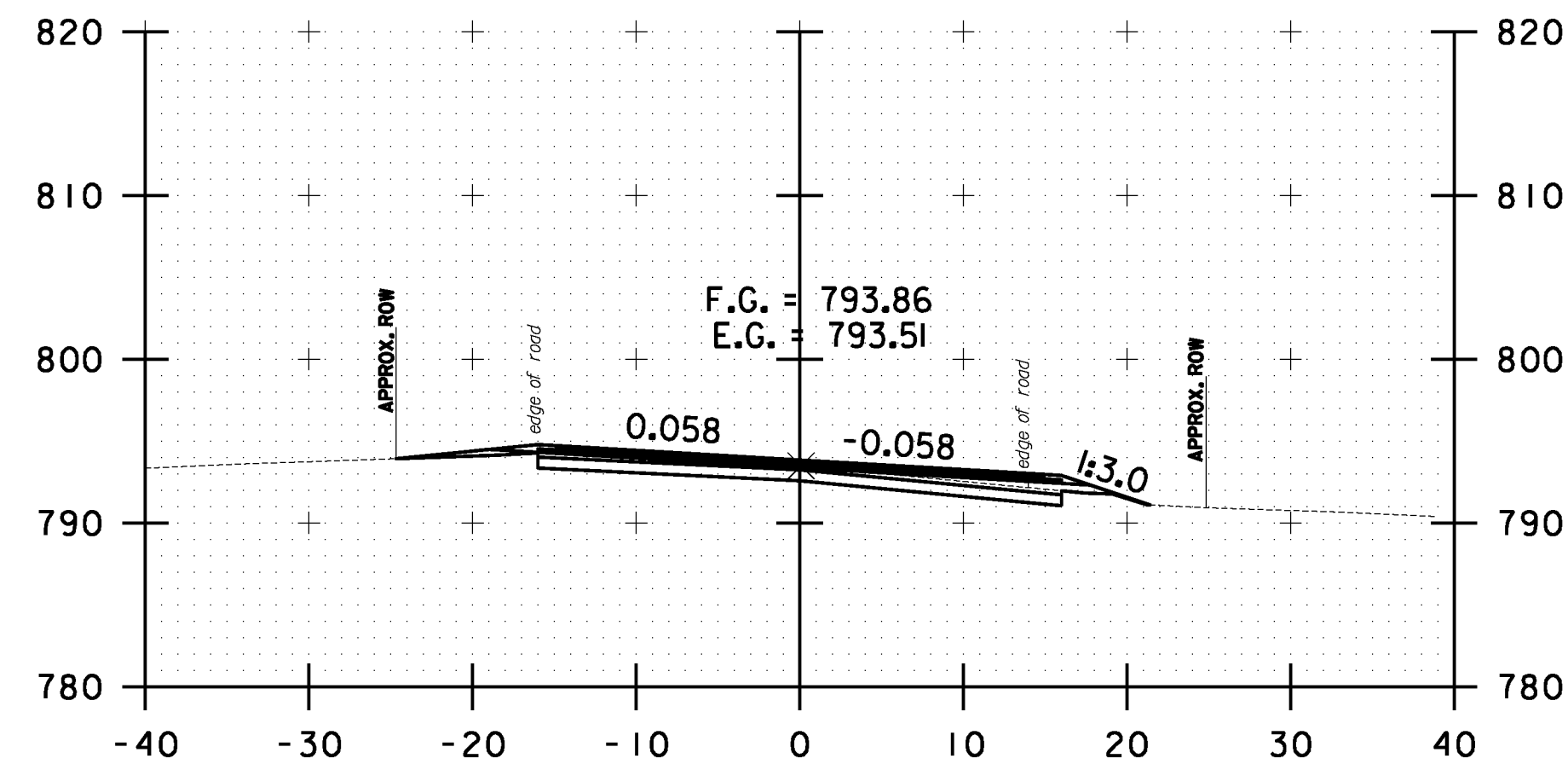
FILE NAME: U:\1762\CA00\MST\STP_2506\p05b048.Convect.Plan.dgn
 DATE/TIME: 12/20/2012
 USER: 4866



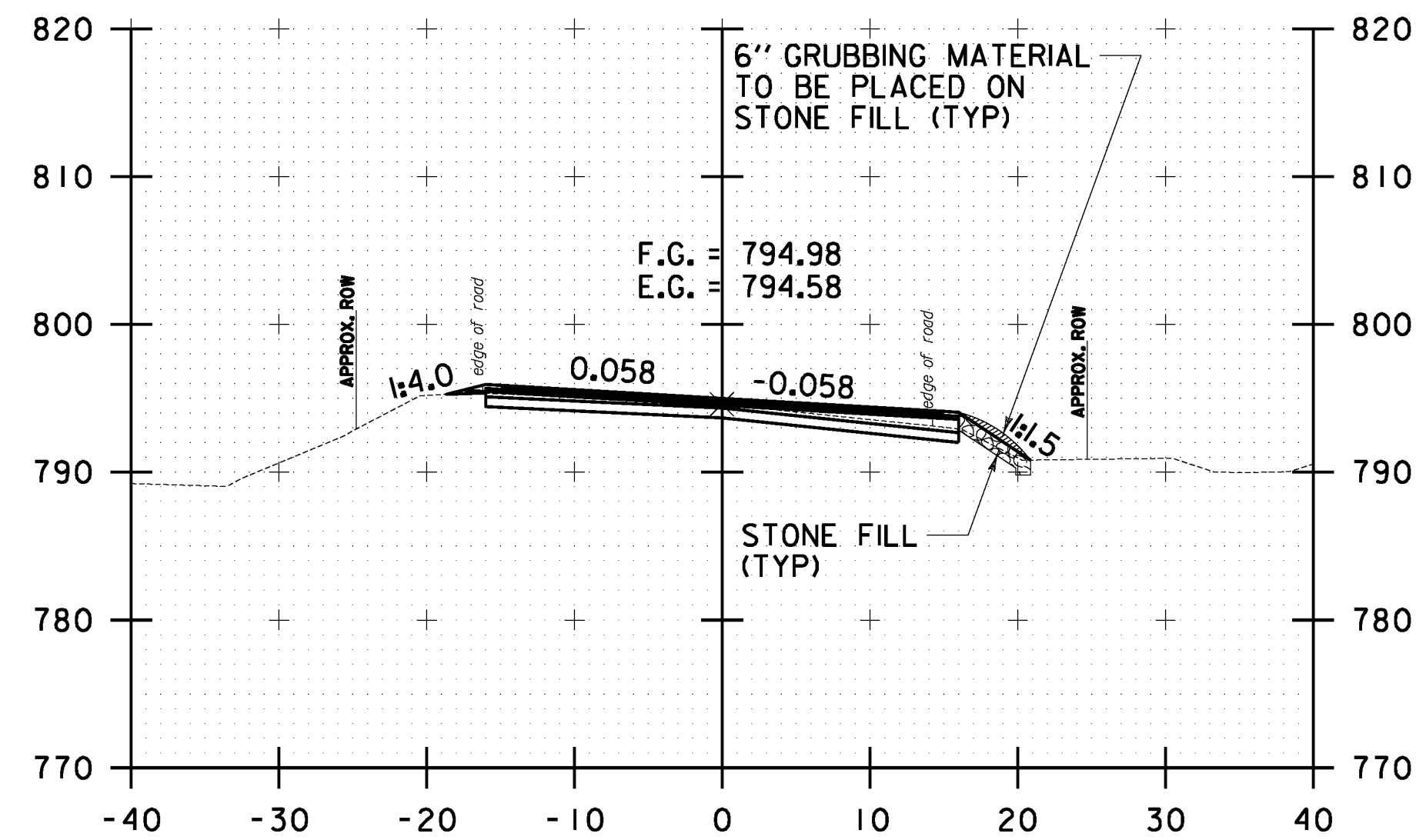
52+00.00



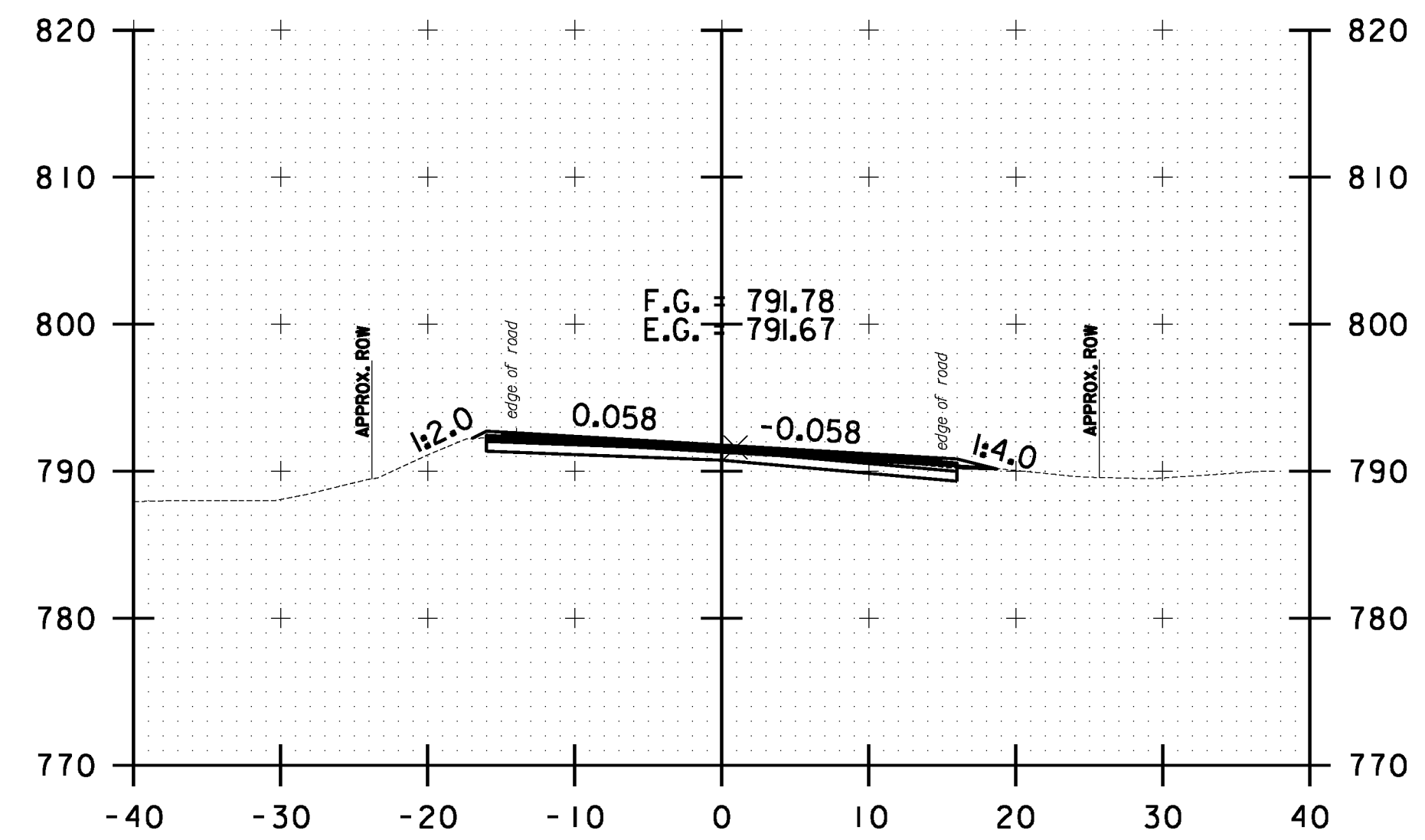
51+50.00



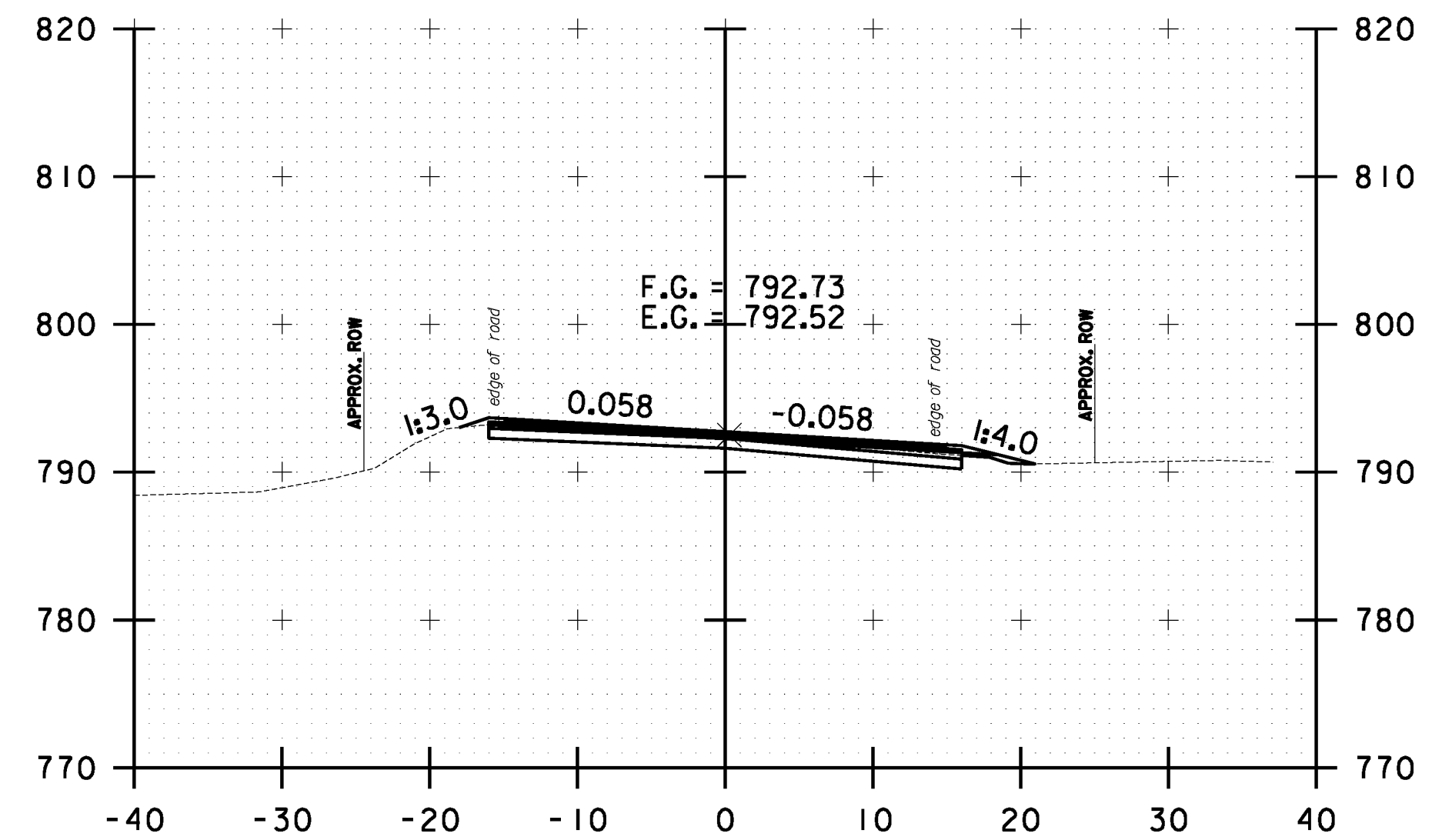
53+00.00



52+50.00



54+00.00



53+50.00



**WAITSFIELD
CROSS SECTION
SHEET #17**

PROJECT NAME: WARREN-WAITSFIELD

PROJECT NUMBER: STP 2506(1)

FILE NAME: p05b048.dgn

PROJECT LEADER: D.E.G.

DESIGNED BY: M.J.M.

IPARM FILE: p05b048xsl10.l

PLOT DATE: 12/20/2012

DRAWN BY: W.G.P.

CHECKED BY: D.E.G.

SHEET 273 OF 310