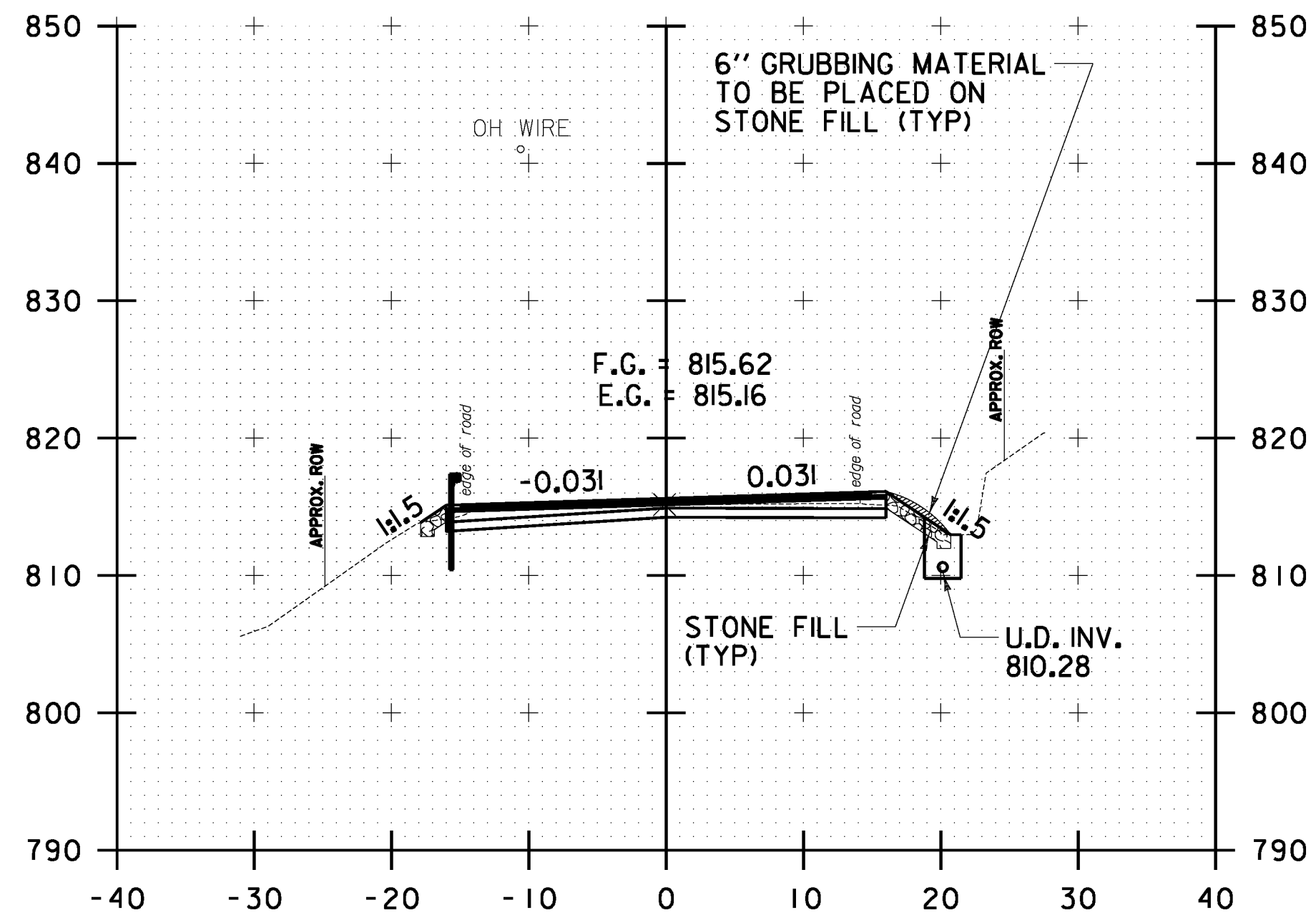
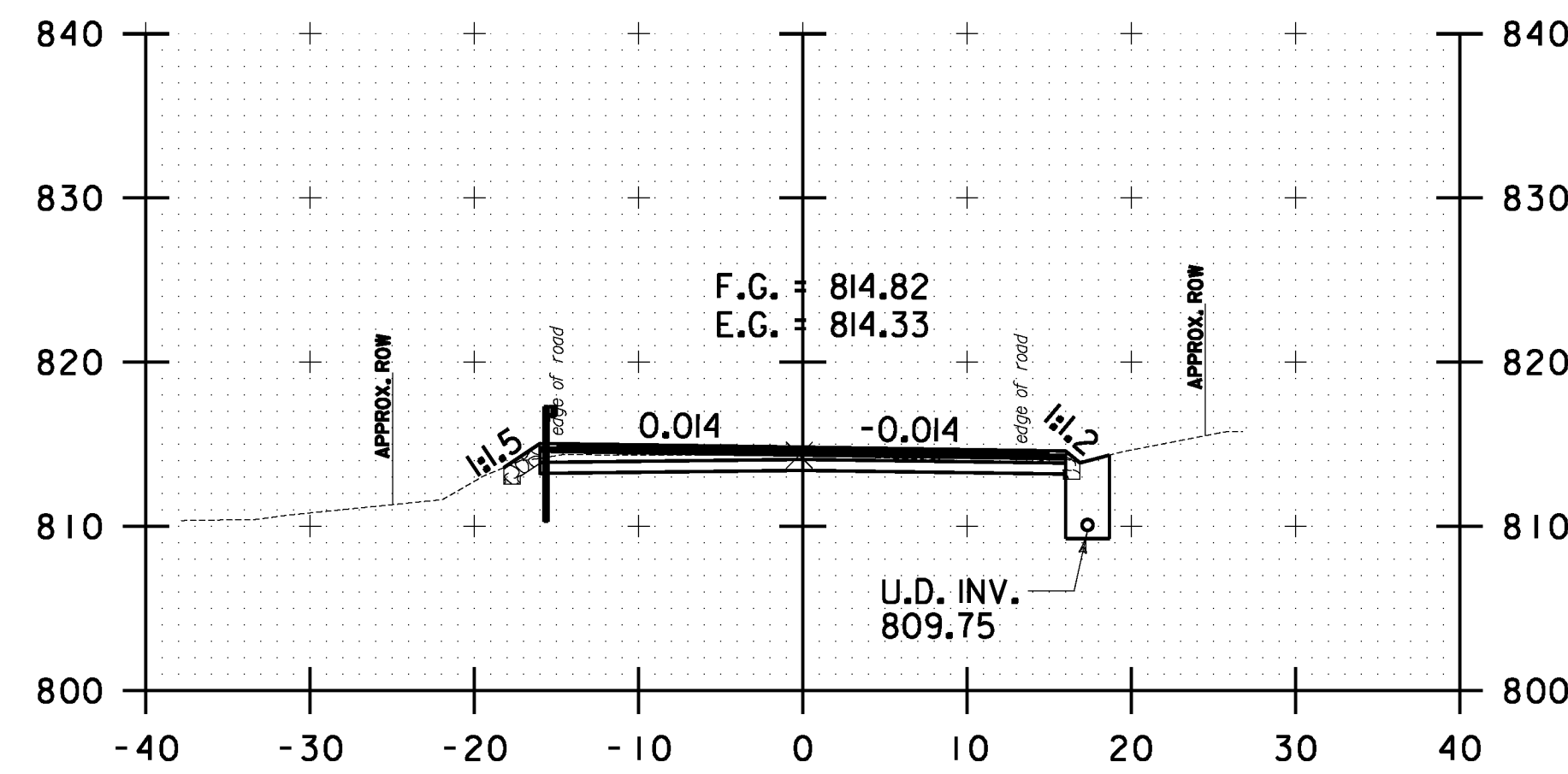


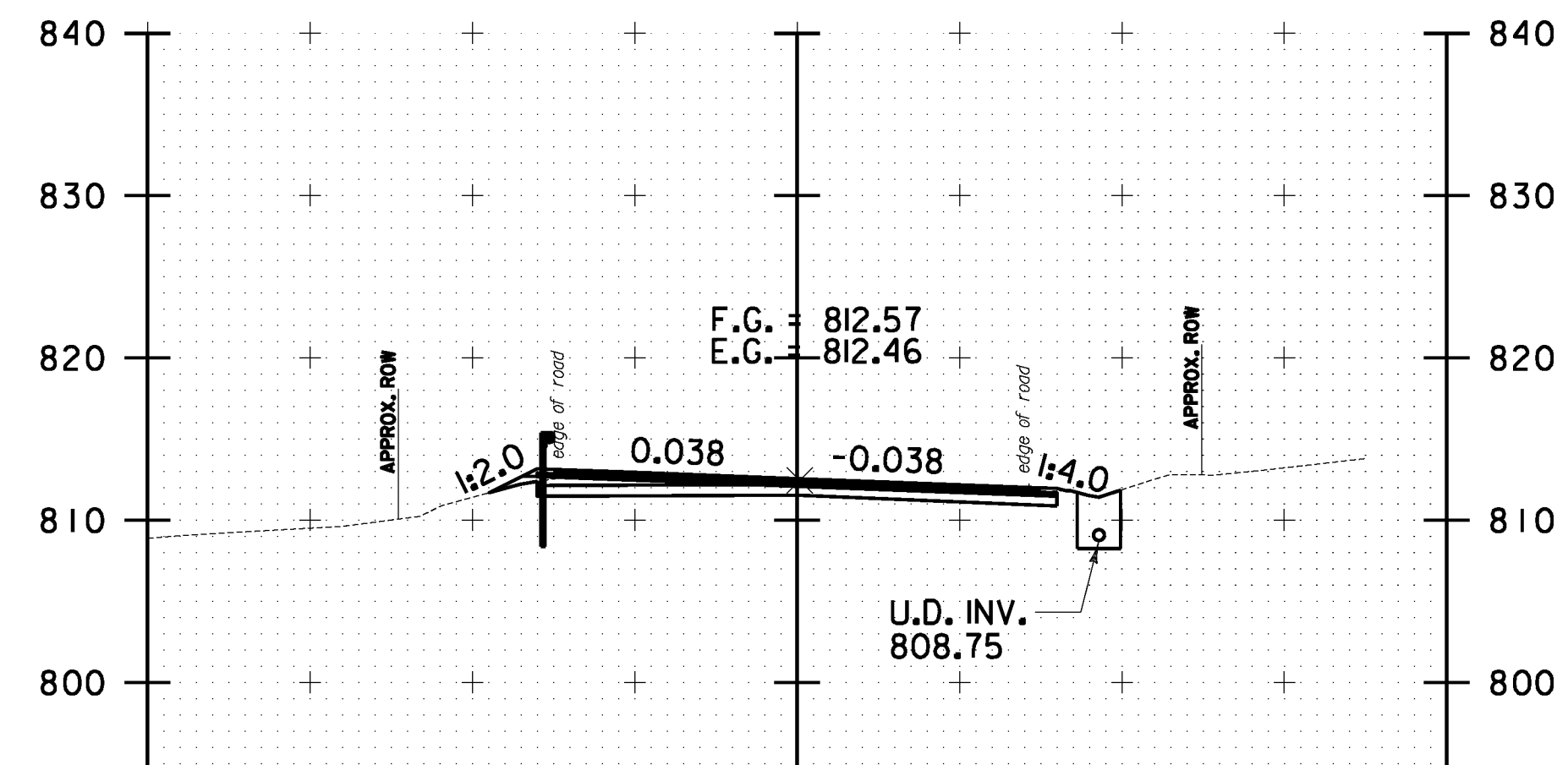
FILE NAME: U:\1762\CA00\MST\STP_2506\p05b048_Conv.eas_Plan.dgn
 DATE/TIME: 12/20/2012
 USER: 4866



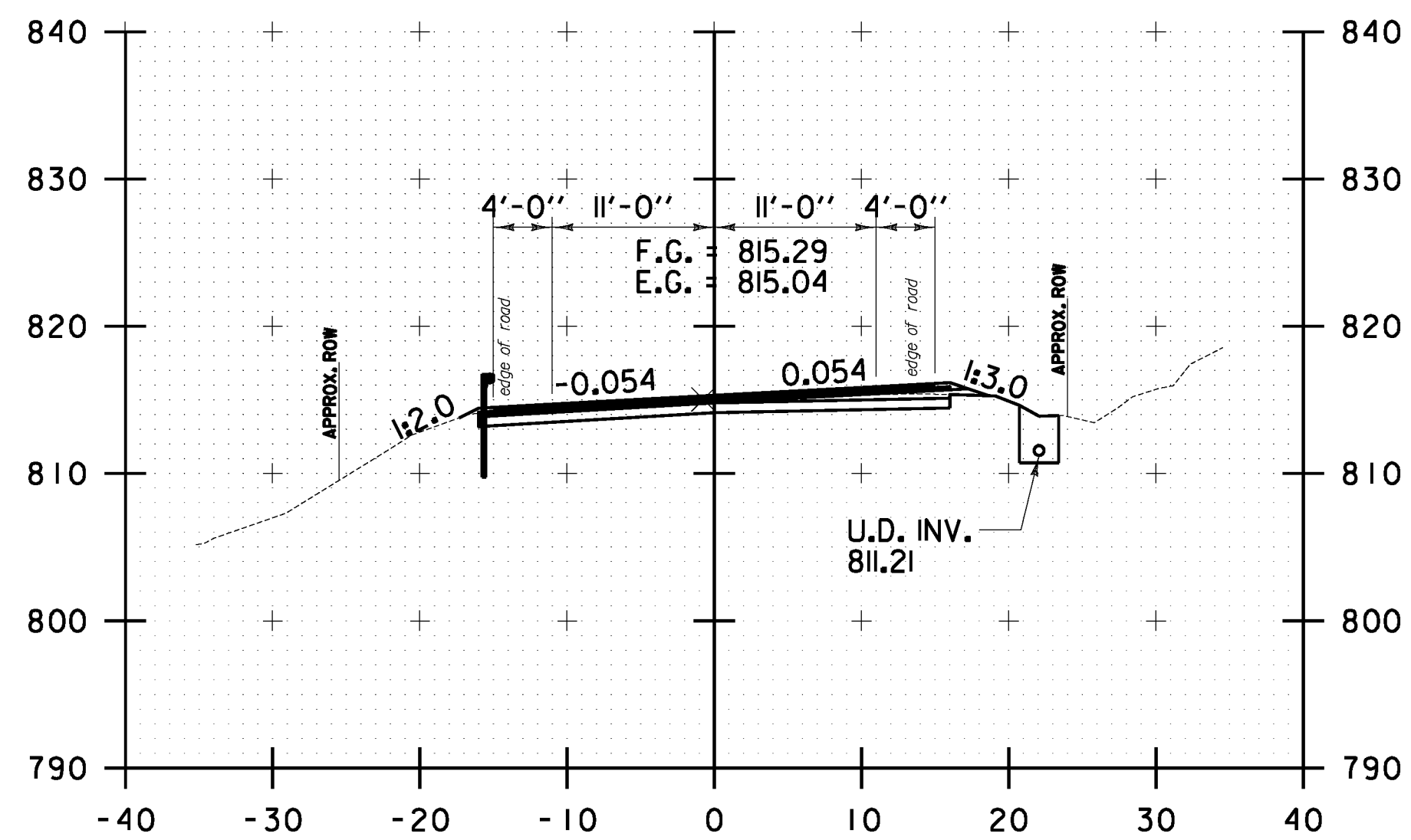
36+00.00



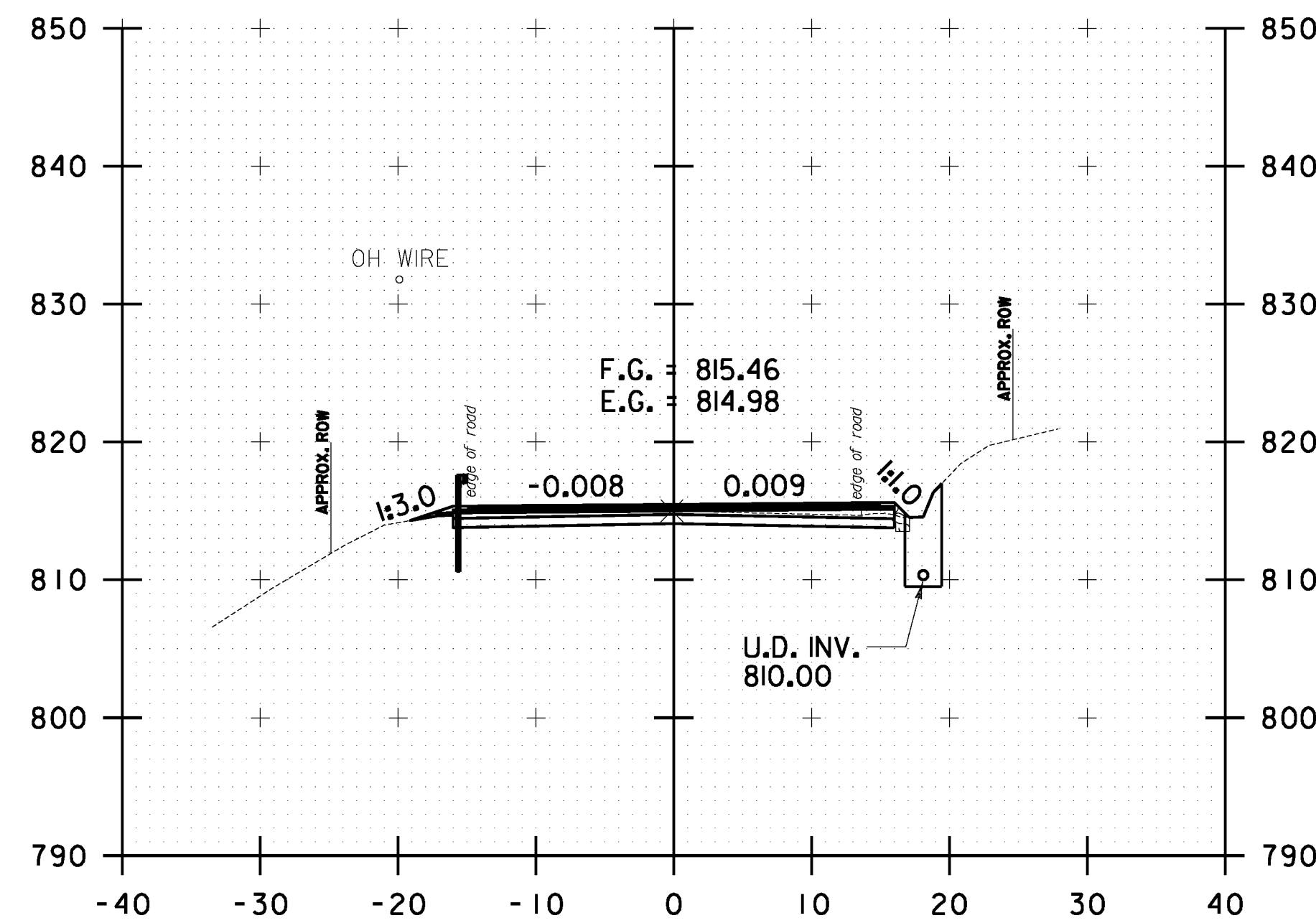
37+00.00



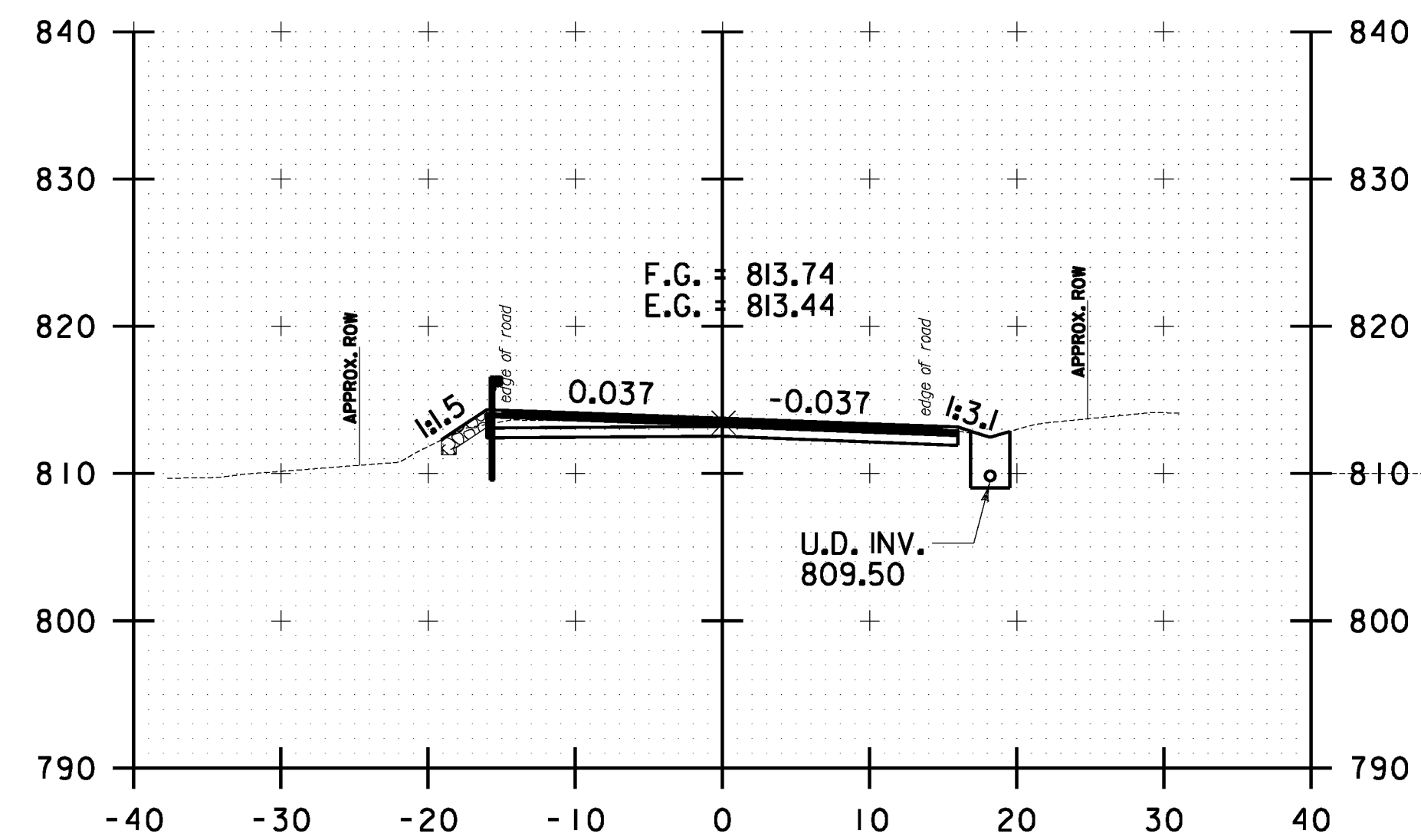
38+00.00



35+50.00



36+50.00



37+50.00



**WAITSFIELD
CROSS SECTION
SHEET #12**

PROJECT NAME: WARREN-WAITSFIELD

PROJECT NUMBER: STP 2506(1)

FILE NAME: p05b048.dgn

PROJECT LEADER: D.E.G.

DESIGNED BY: M.J.M.

IPARM FILE: p05b048xsl05.l

PLOT DATE: 12/20/2012

DRAWN BY: W.G.P.

CHECKED BY: D.E.G.

SHEET 268 OF 310