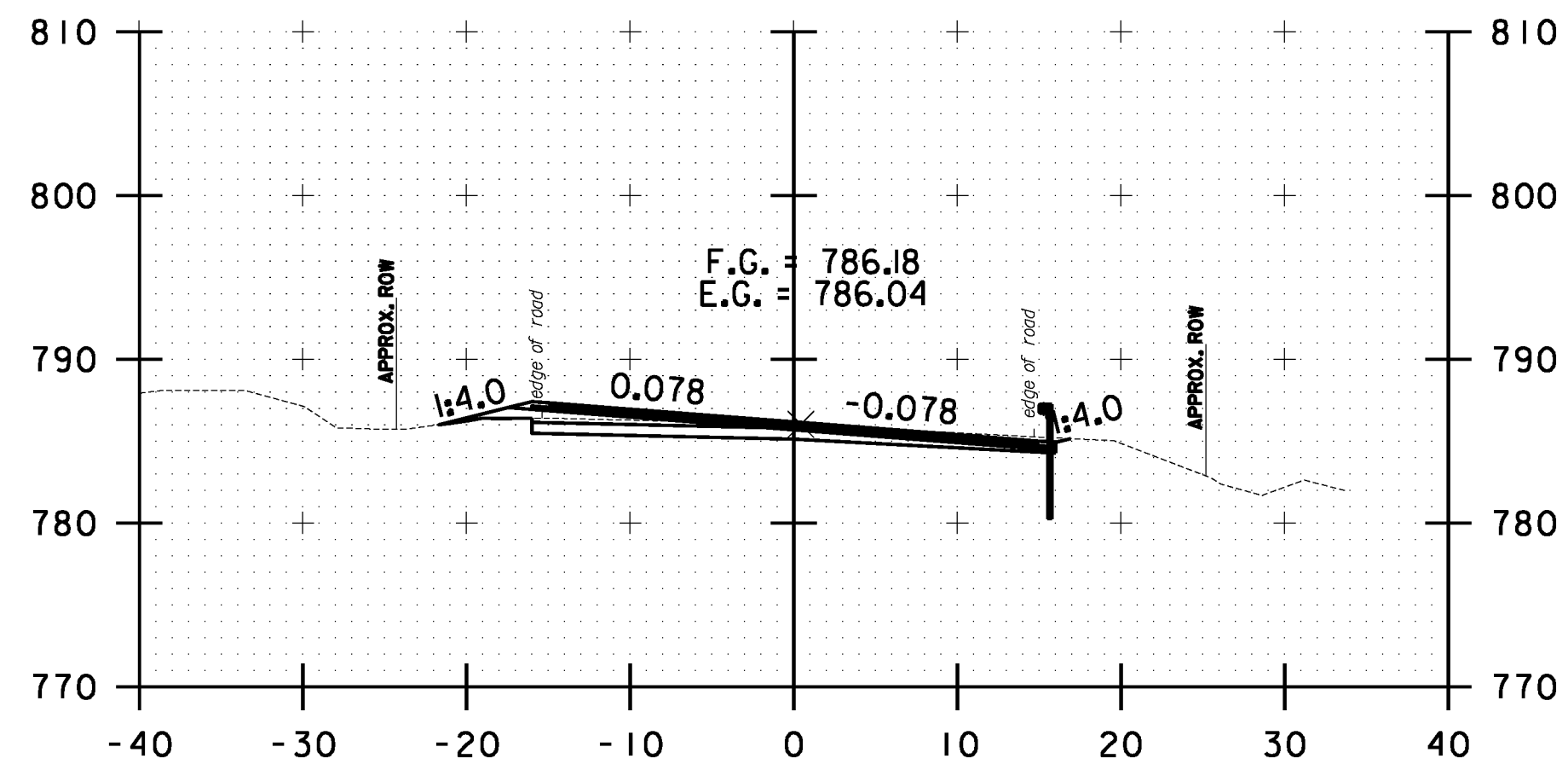
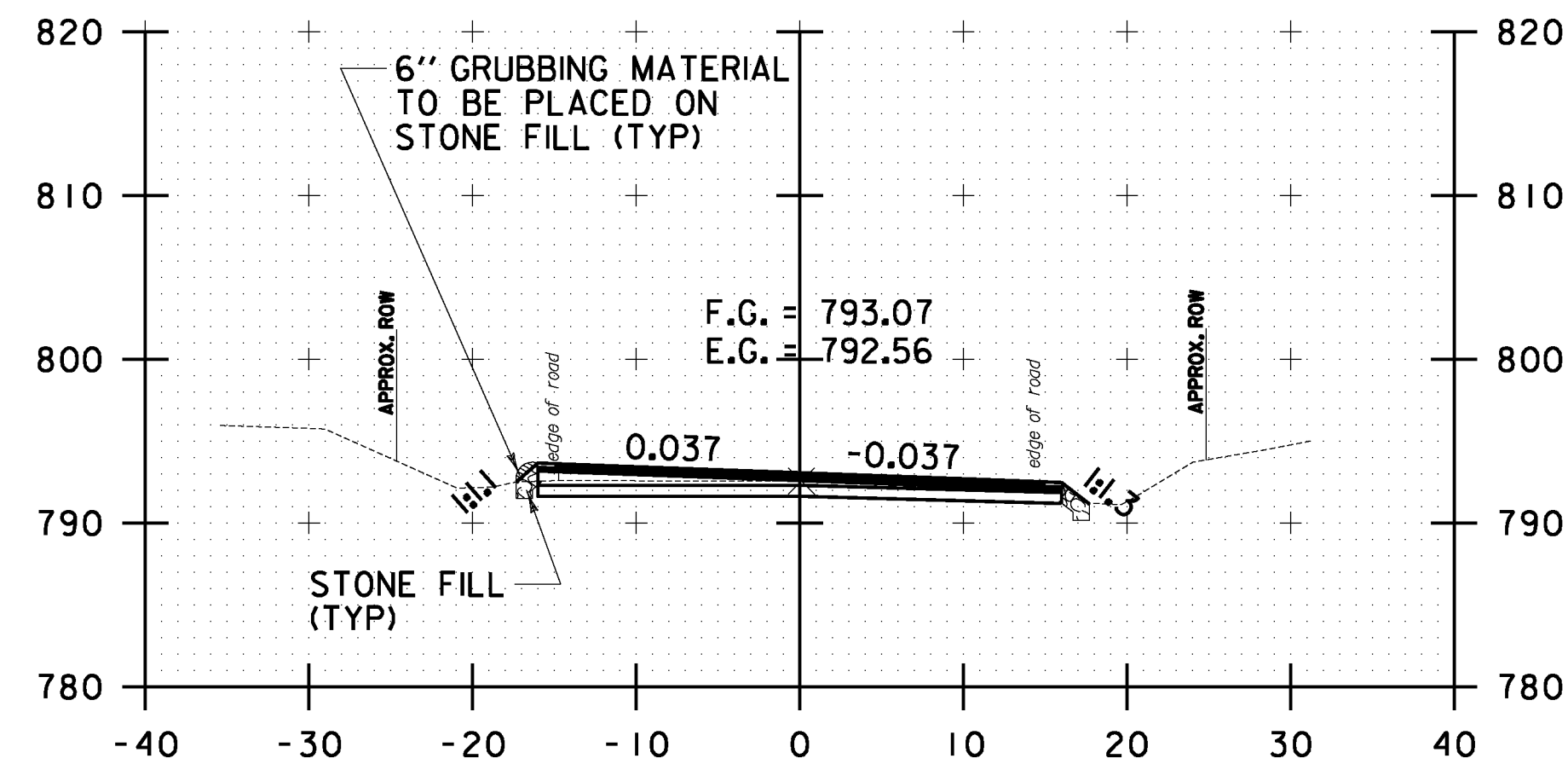


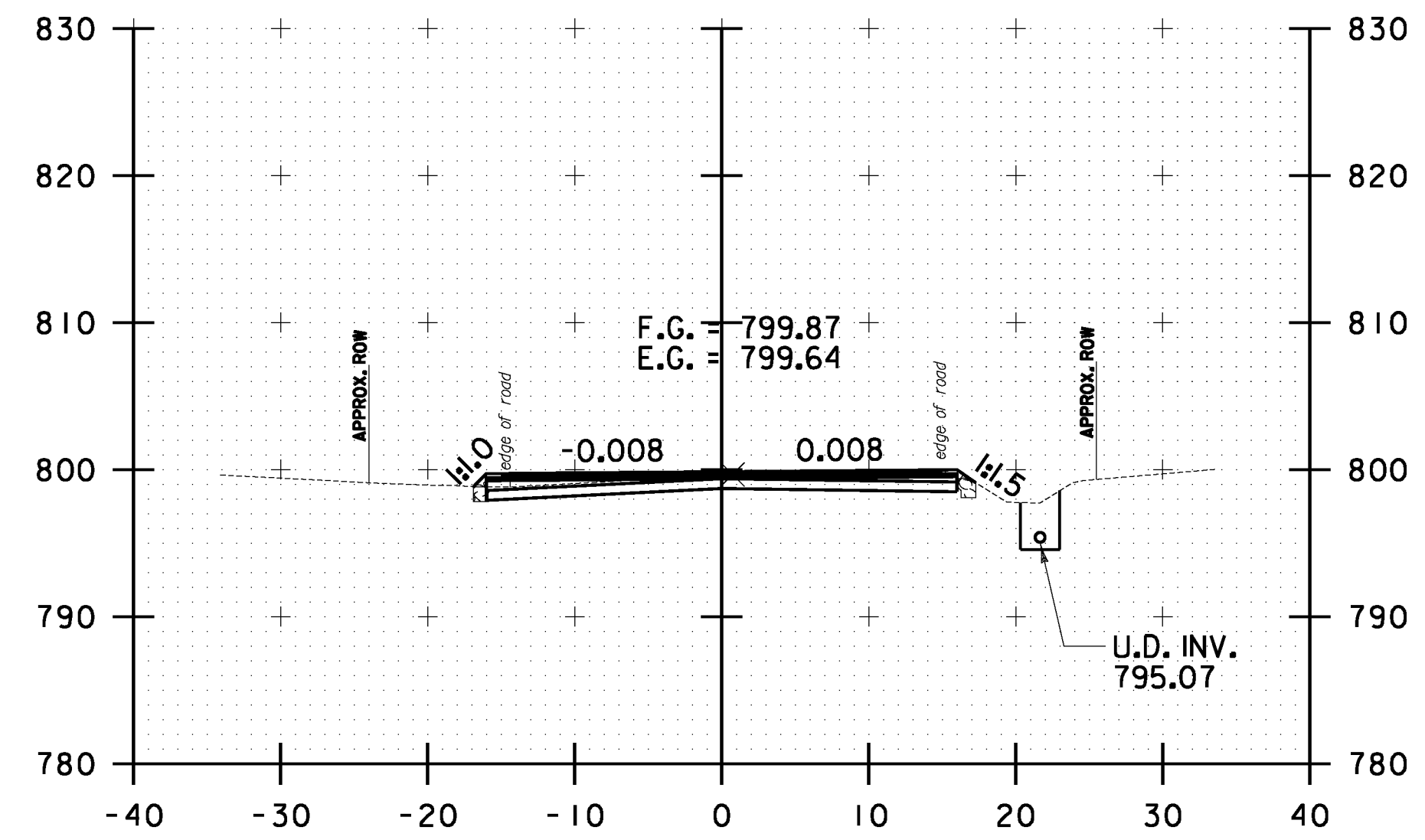
FILE NAME: I:\1762\CA00\MST\STP\_2506\p05b048.Convect.Plan.dgn  
 DATE/TIME: 12/20/2012  
 USER: 4866



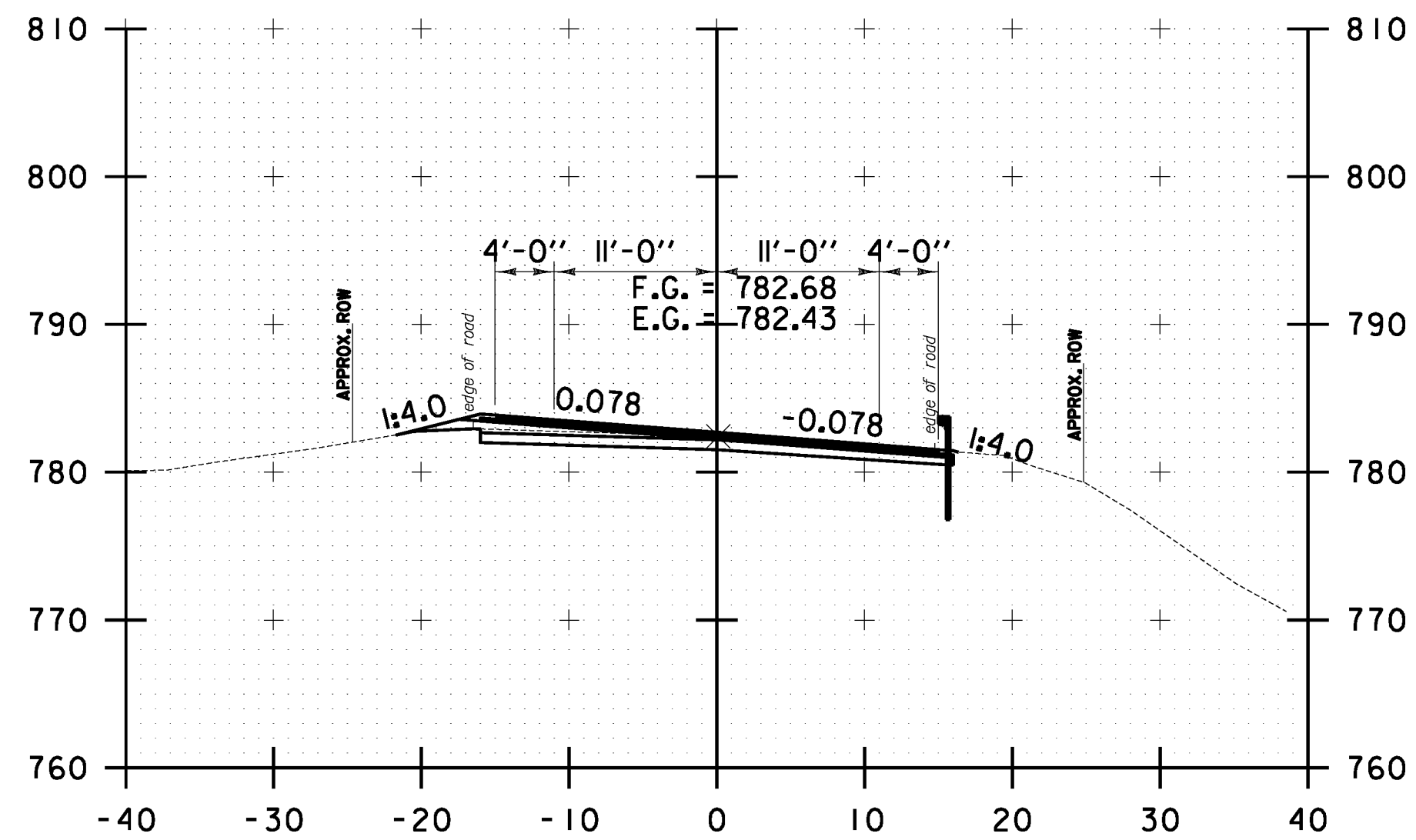
30+00.00



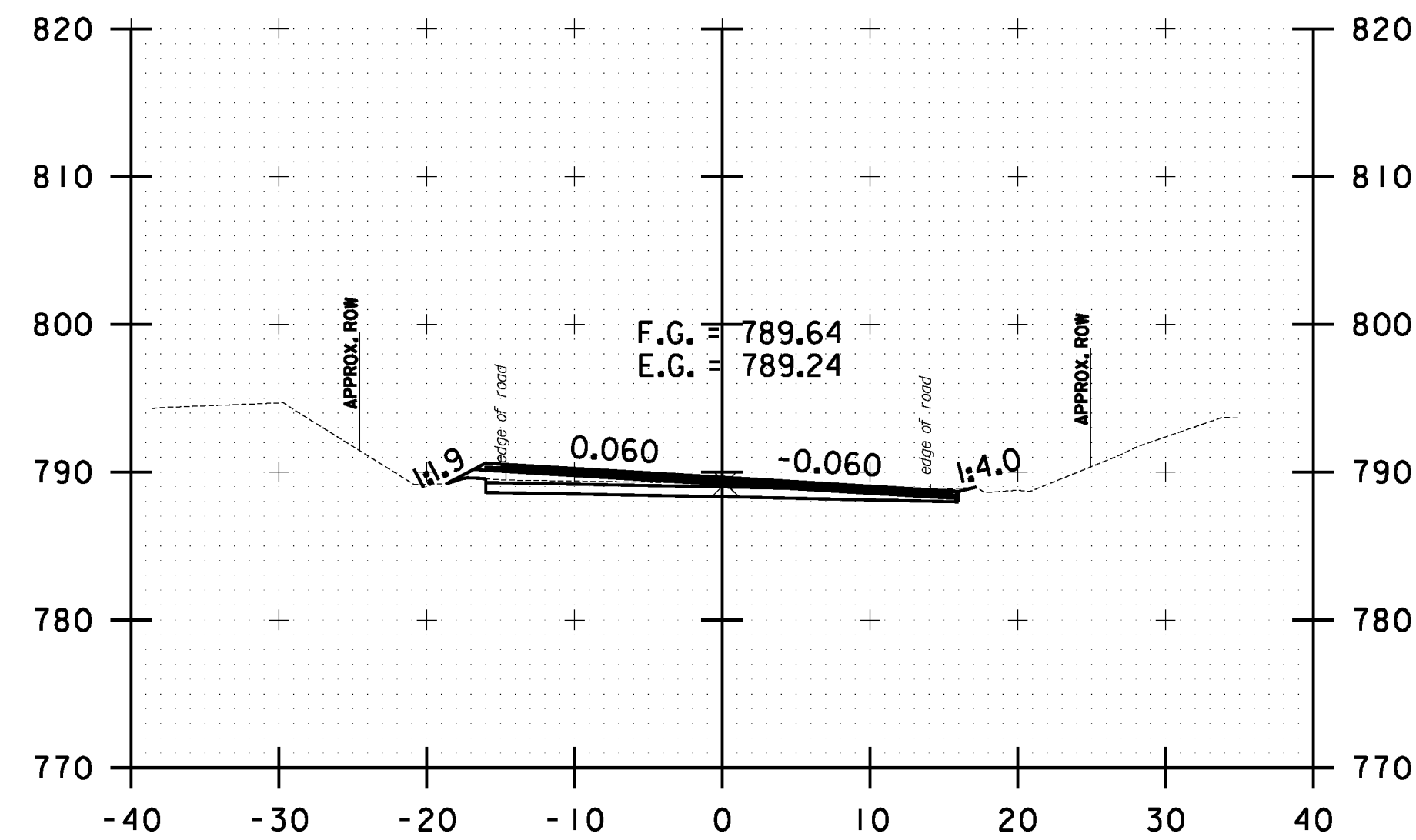
31+00.00



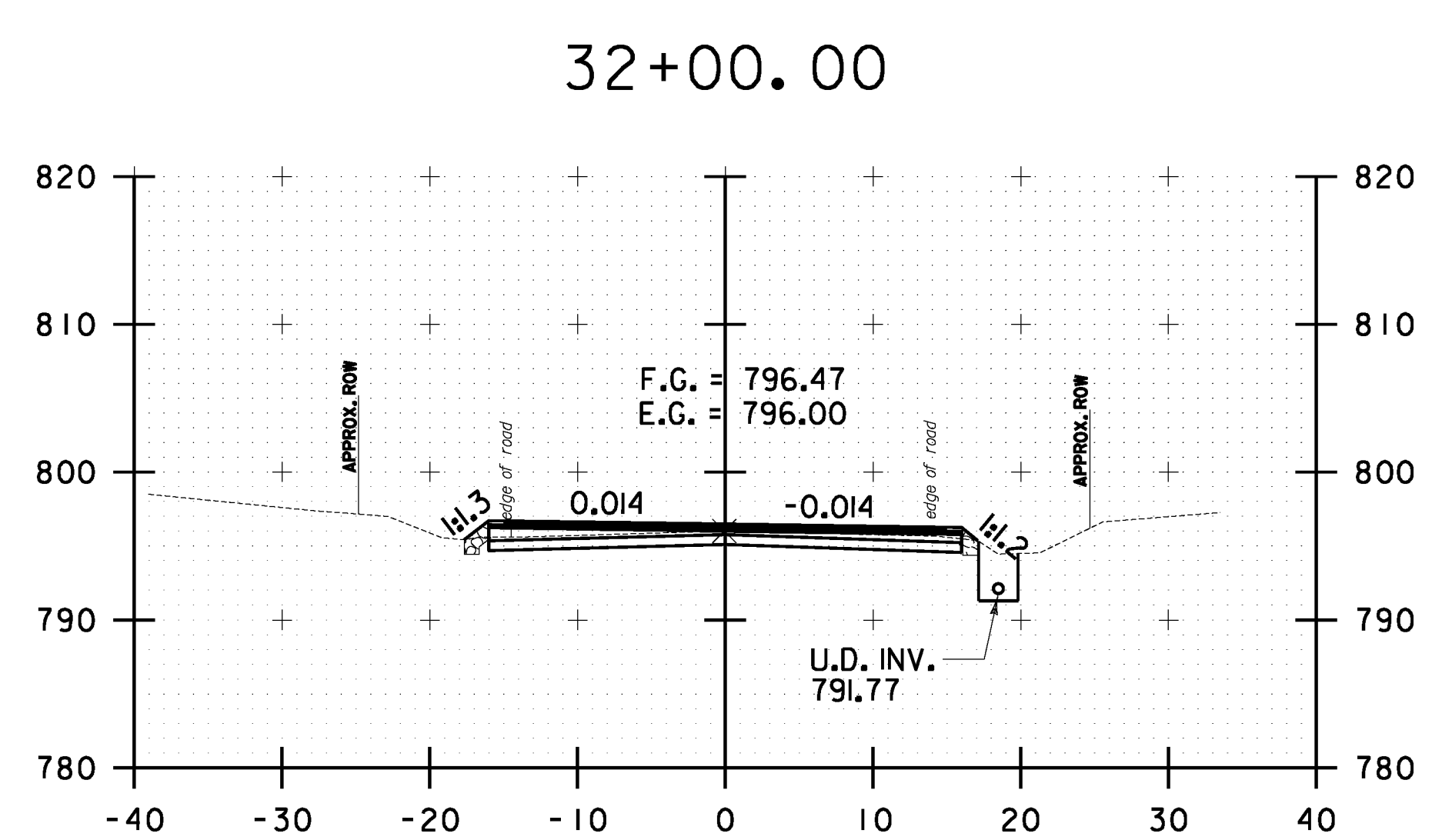
32+00.00



29+50.00



30+50.00



31+50.00



**WAITSFIELD  
 CROSS SECTION  
 SHEET #10**

PROJECT NAME: WARREN-WAITSFIELD	PLOT DATE: 12/20/2012
PROJECT NUMBER: STP 2506(1)	DRAWN BY: W.G.P.
FILE NAME: p05b048.dgn	CHECKED BY: D.E.G.
PROJECT LEADER: D.E.G.	SHEET 266 OF 310
DESIGNED BY: M.J.M.	
IPARM FILE: p05b048xsl03.l	