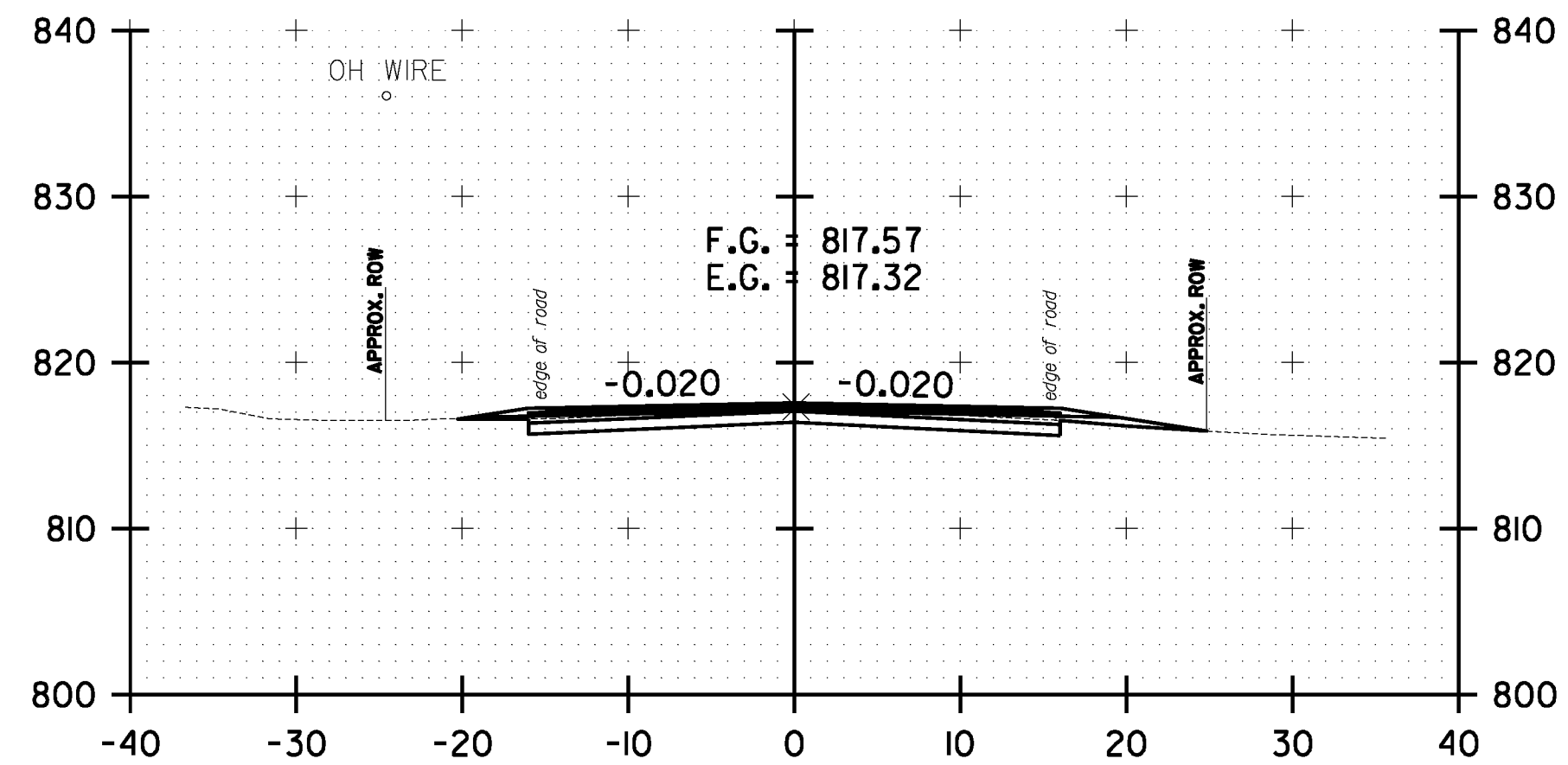
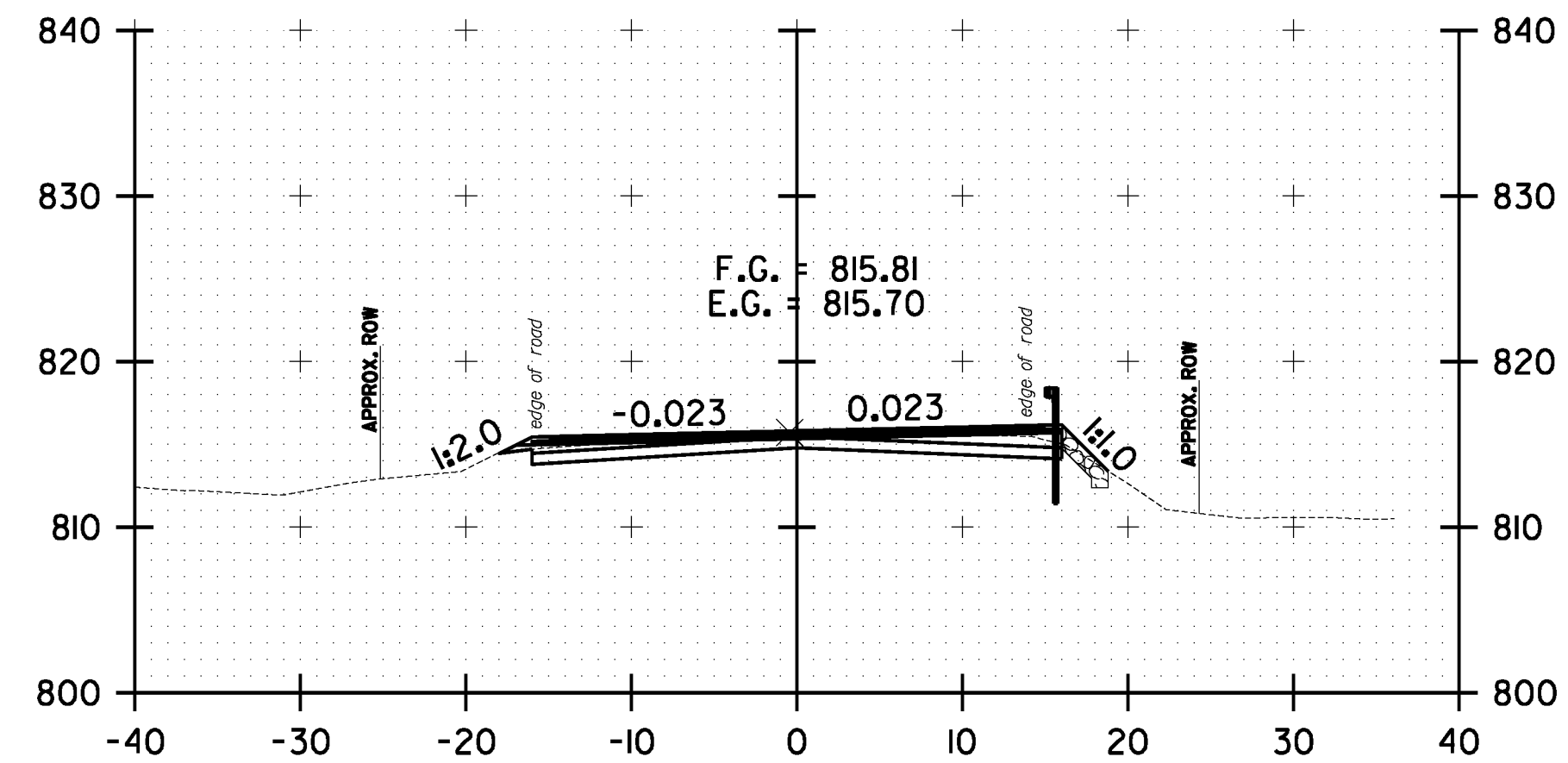


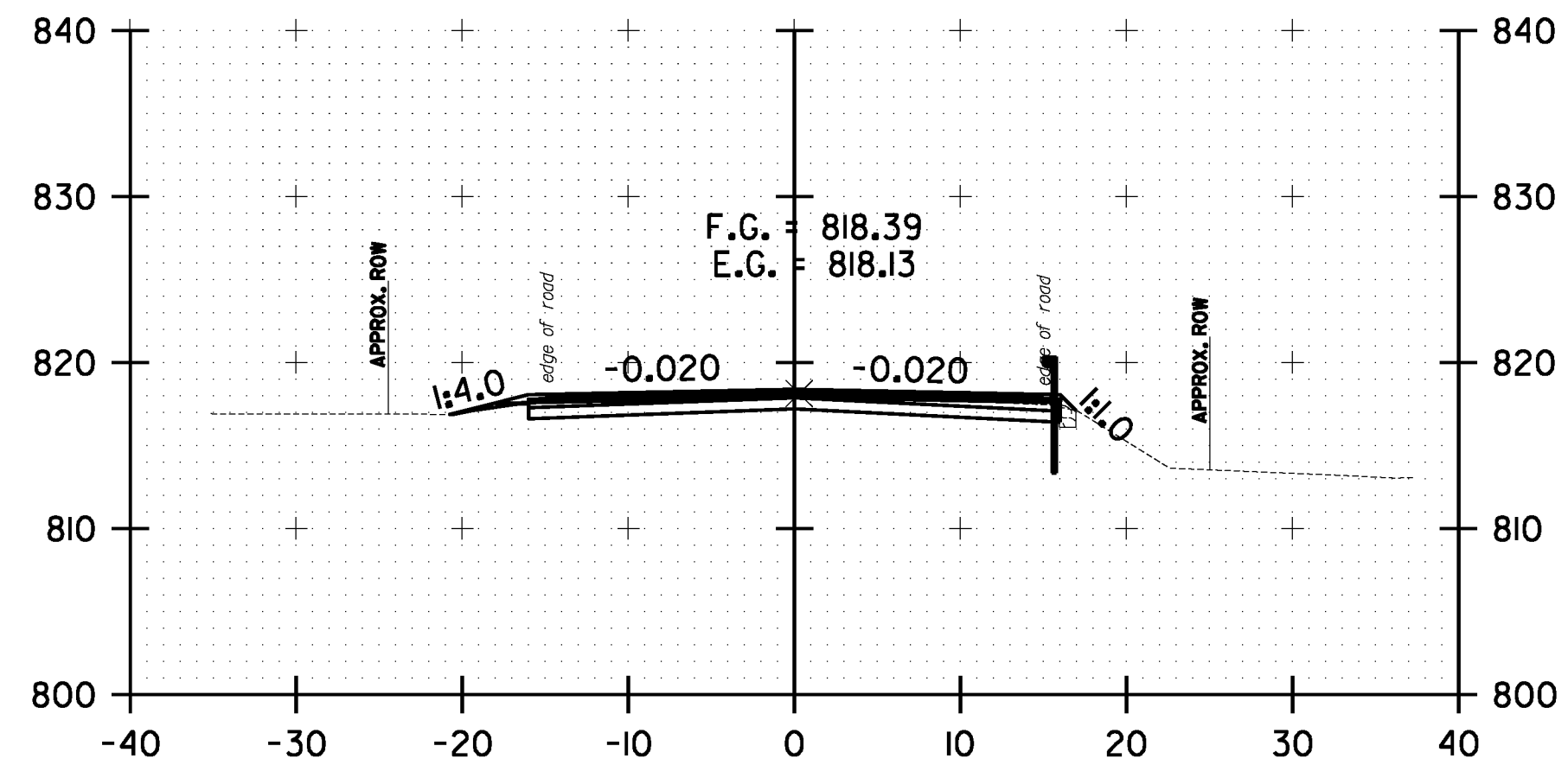
FILE NAME: U:\1762\CADD\MSTN\STP_2506\p05b048.Convect.Plan.dgn
 DATE/TIME: 12/20/2012
 USER: 4866



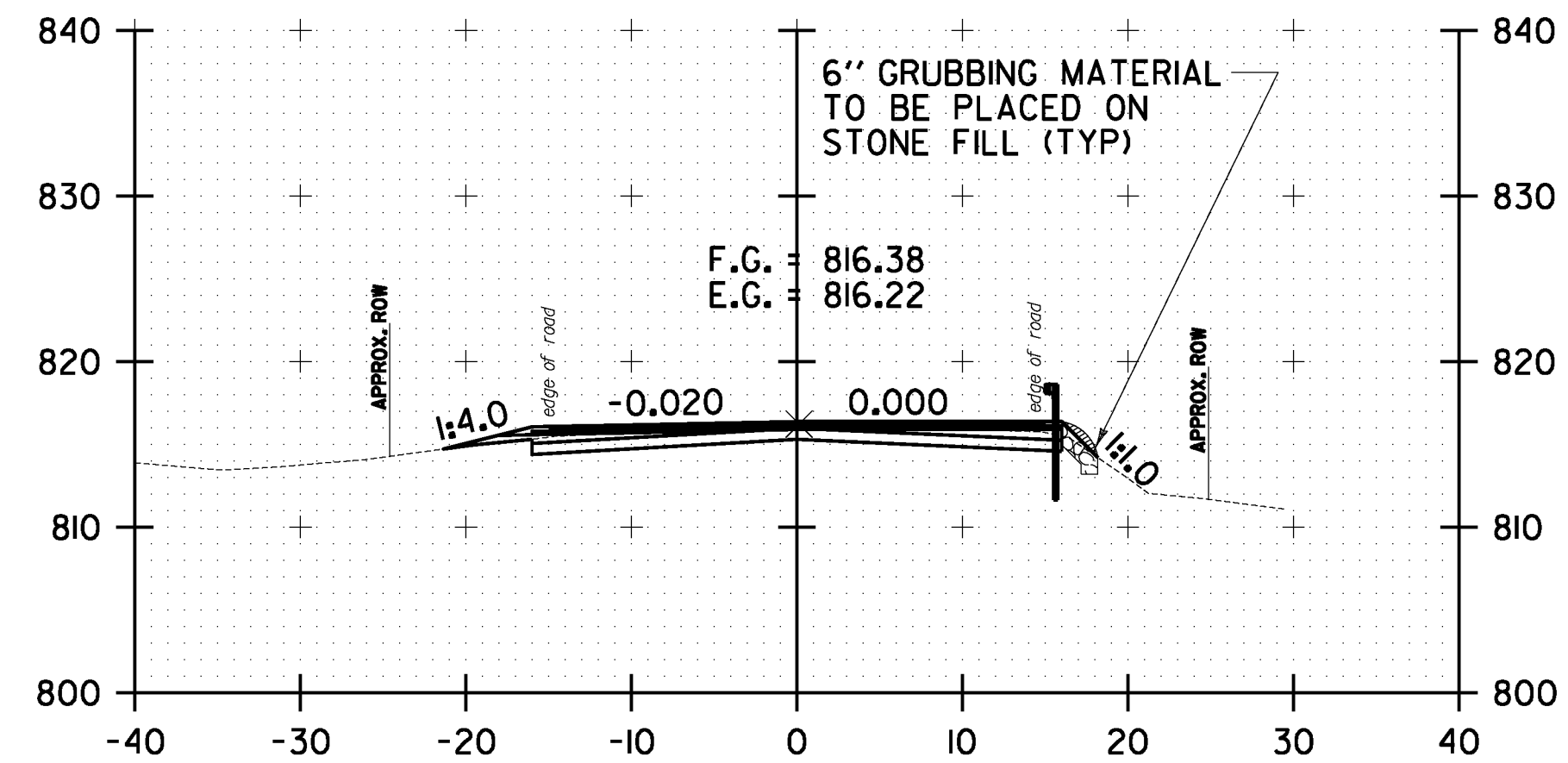
273+00.00



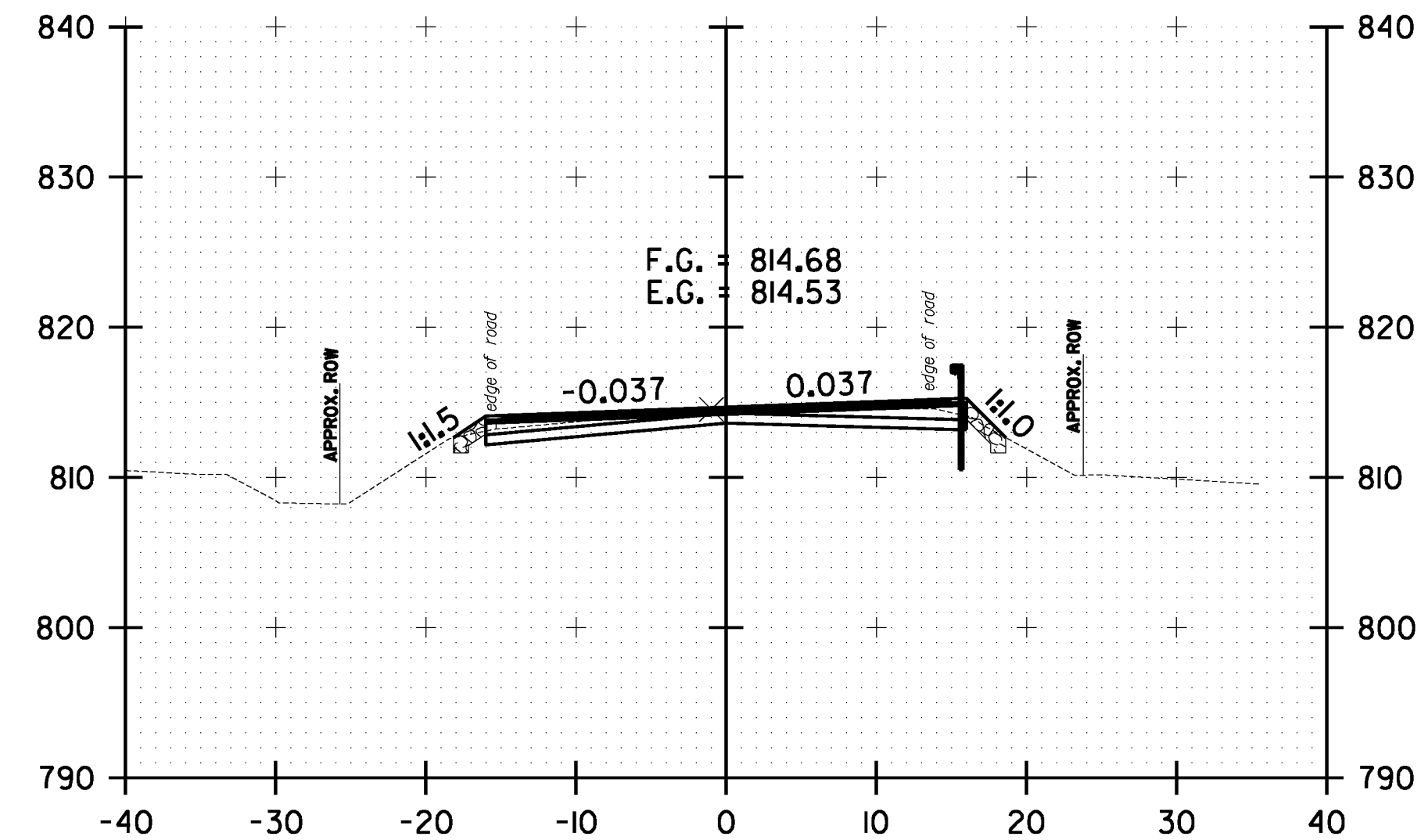
274+50.00



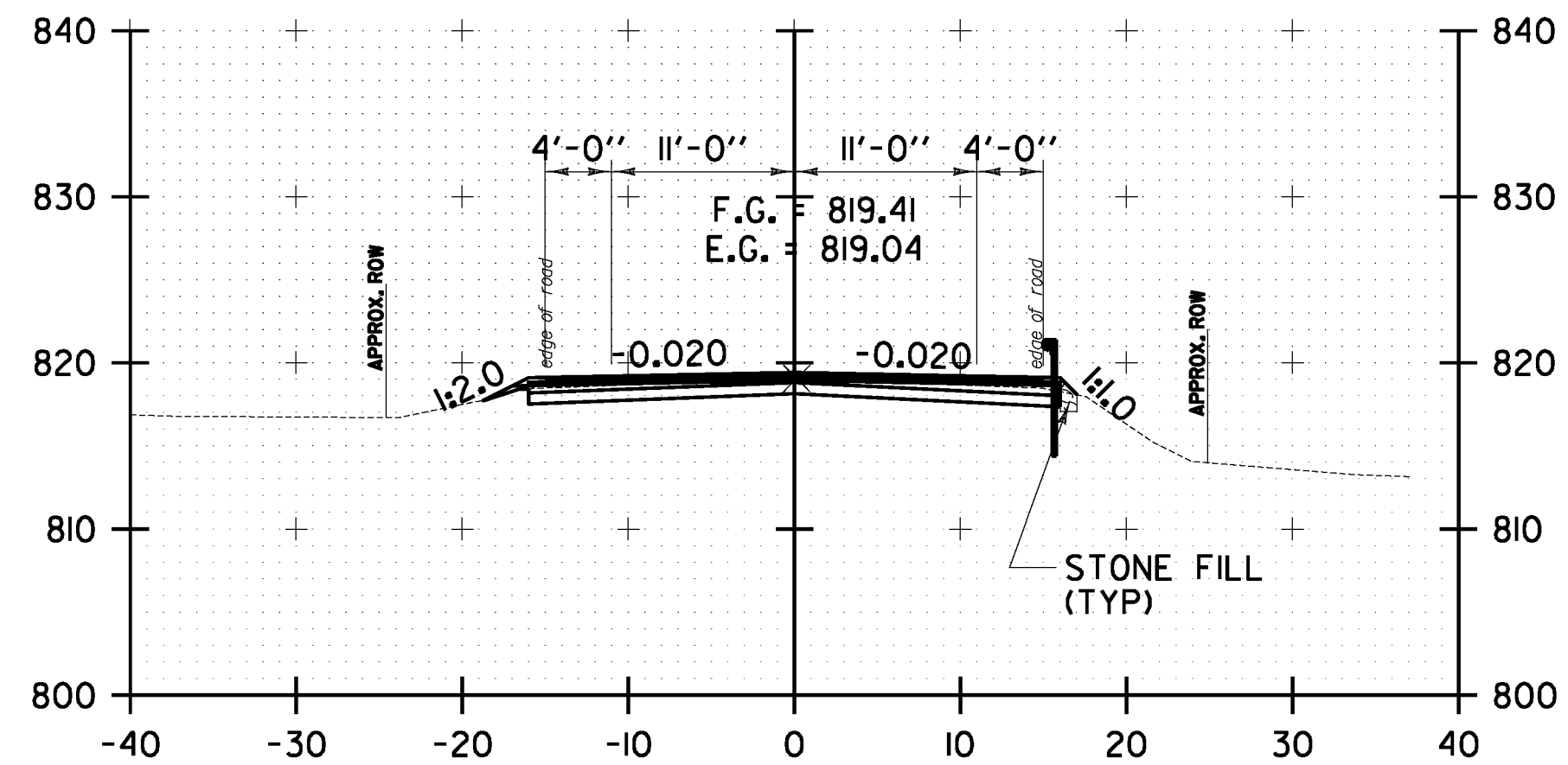
272+50.00



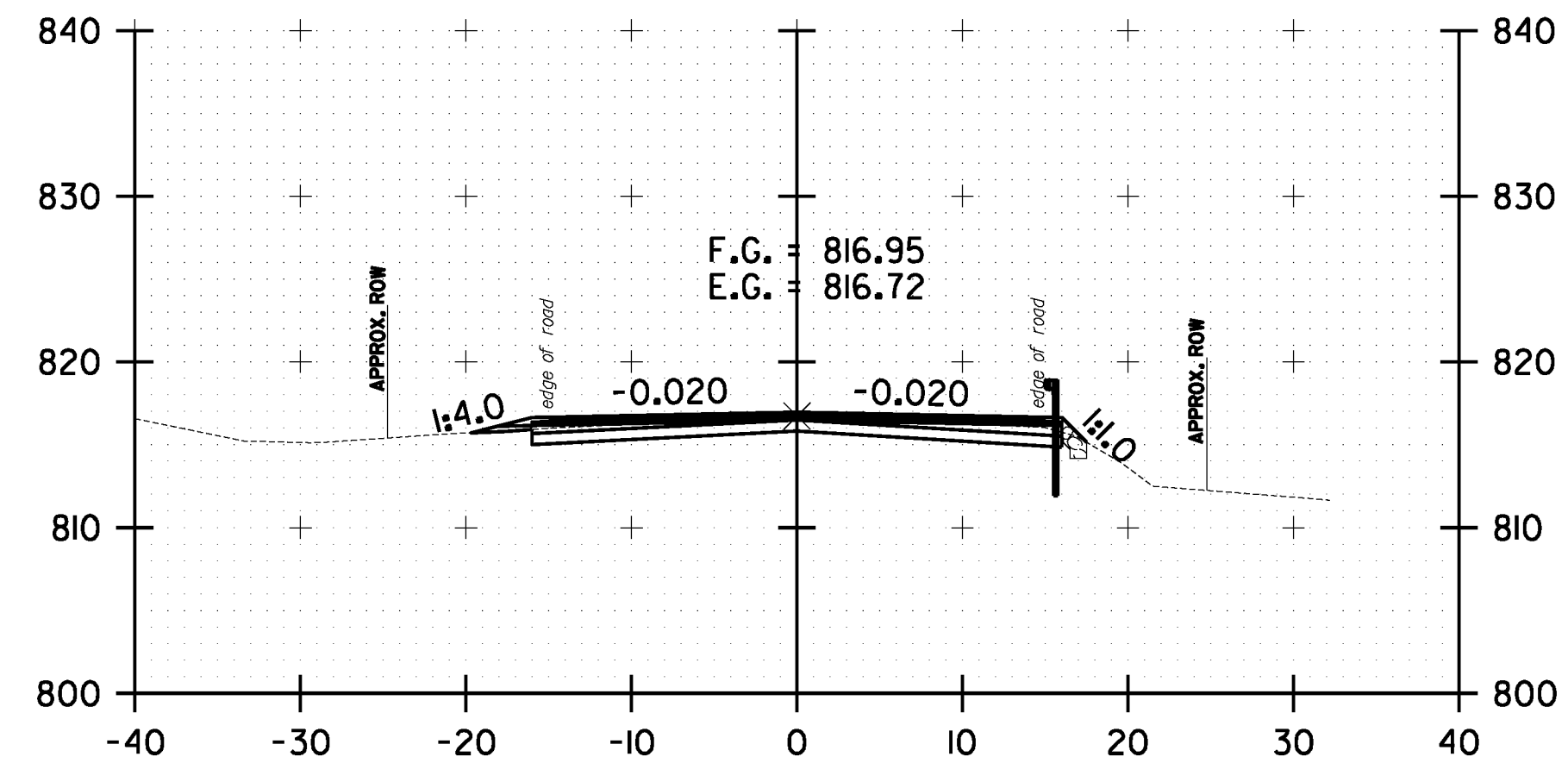
274+00.00



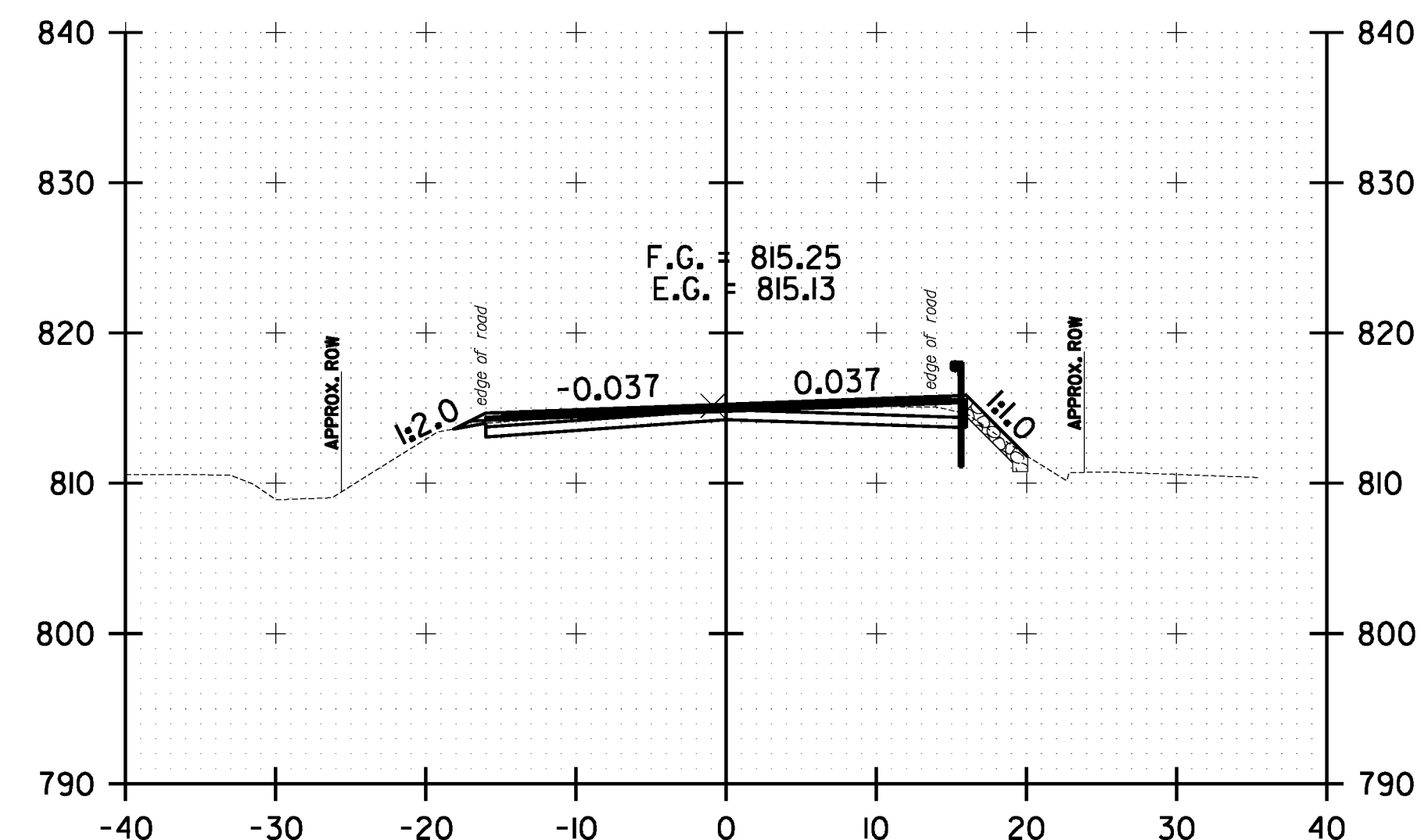
275+50.00



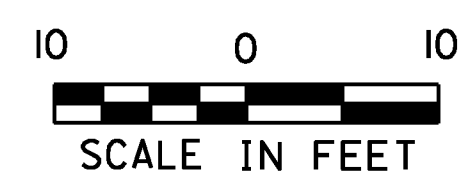
272+00.00



273+50.00



275+00.00



**WARREN
 CROSS SECTION
 SHEET #74**

PROJECT NAME: WARREN-WAITSFIELD	PLOT DATE: 12/20/2012
PROJECT NUMBER: STP 2506(1)	DRAWN BY: W.G.P.
FILE NAME: p05b048.dgn	CHECKED BY: D.E.G.
PROJECT LEADER: D.E.G.	SHEET 237 OF 310
DESIGNED BY: M.J.M.	
IPARM FILE: p05b048xs74.i	